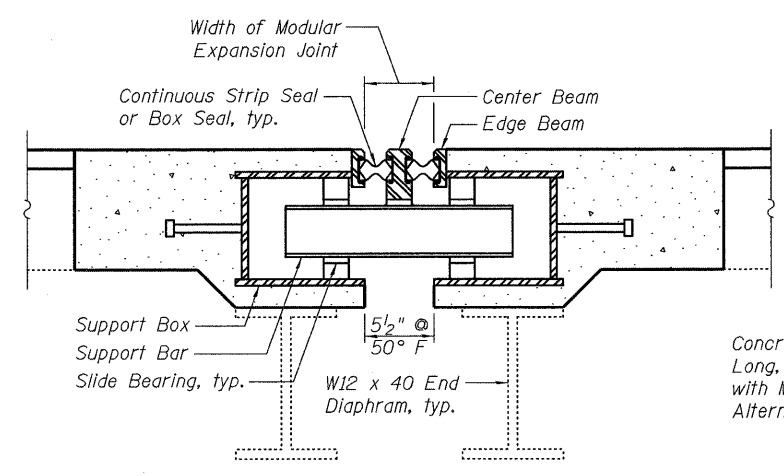
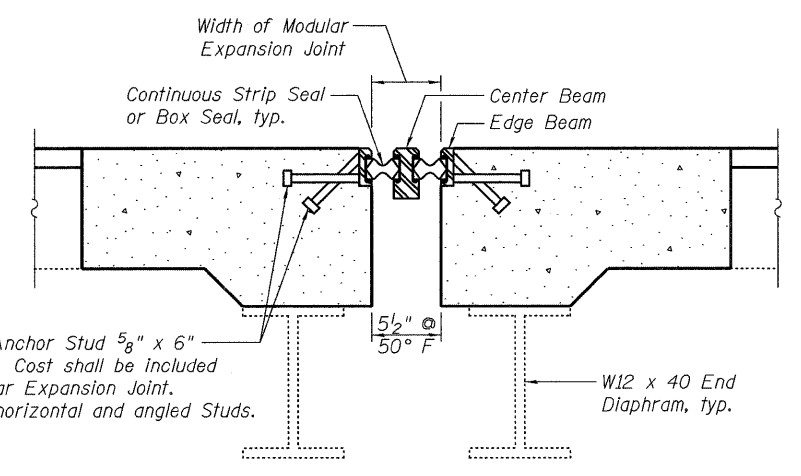


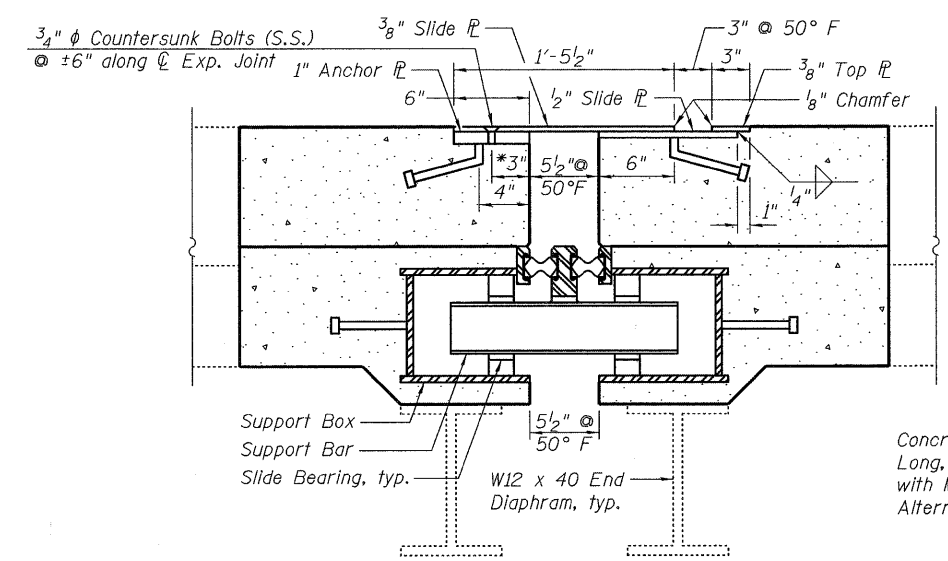
**SIDEWALK COVER PLATE PLAN**  
Slide Plate over Concrete Median similar



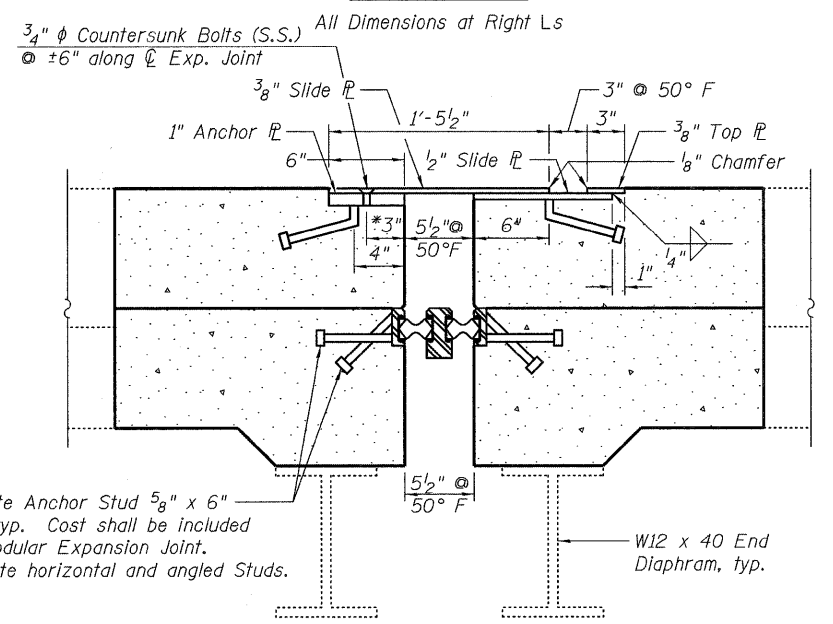
**SECTION B-B**  
All Dimensions at Right Ls



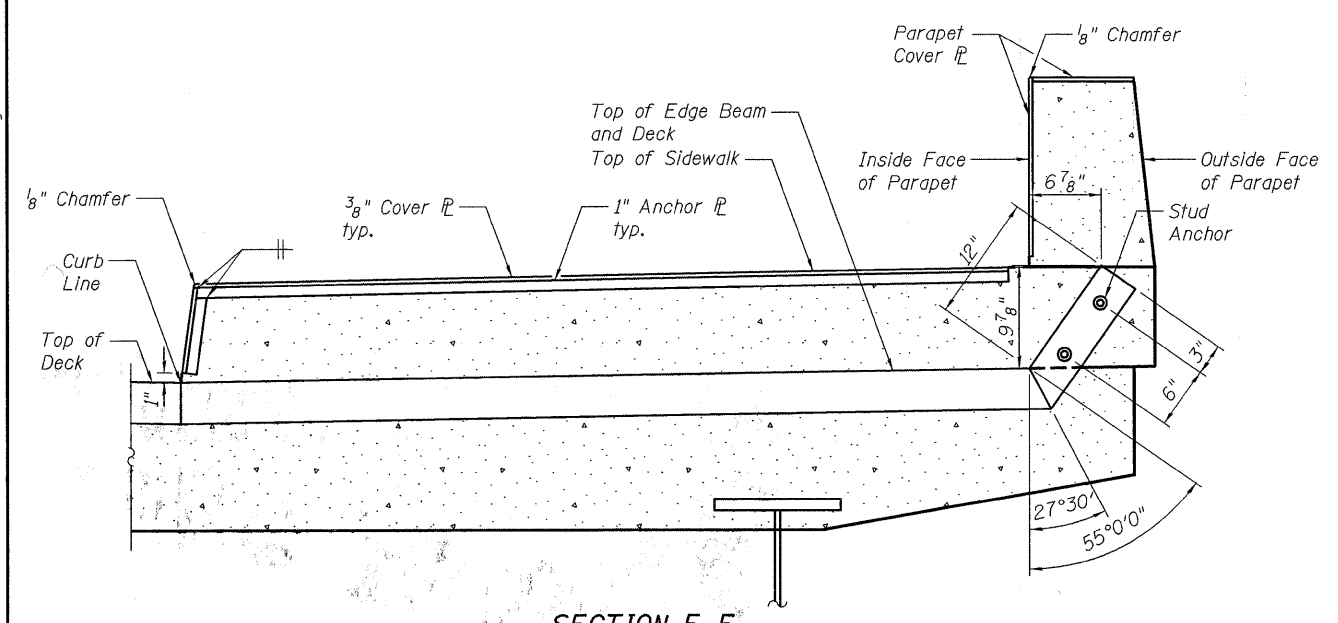
**SECTION C-C**  
All Dimensions at Right Ls



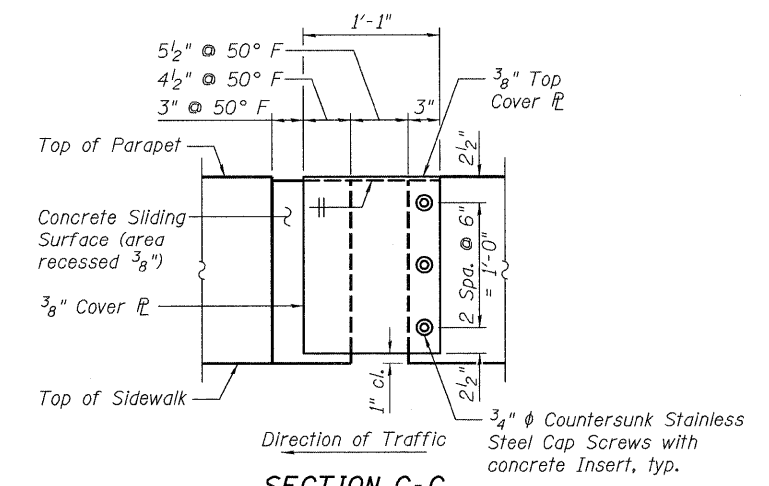
**SECTION D-D**  
All Dimensions at Right Ls  
Section at Median does not have End Diaphragm



**SECTION E-E**  
All Dimensions at Right Ls



**SECTION F-F**



**SECTION G-G**

\*3/4"  $\phi$  Countersunk Bolts (S.S.)  
 $\phi$   $\pm$ 6" along  $\perp$  Exp. Joint

 Excellence through Ownership 200 West Front Street Wheaton, IL 60187	ILLINOIS DEPARTMENT OF TRANSPORTATION
	MODULAR JOINT DETAILS BURNHAM AVE OVER STATE ST, R.R. & RIVER FAU RTE 2943 SECTION 1212.8-I-1 COOK COUNTY STATION 231+79.04 STRUCTURE NO. 016-0806
	DATE: 1-14-2009 DRAWN BY LCM CHECKED BY BLB

K:\11225903\Structures\Burnham Ave. Over R.R. & River\Final Plans\Mod\_Joints.dgn 1/13/2009