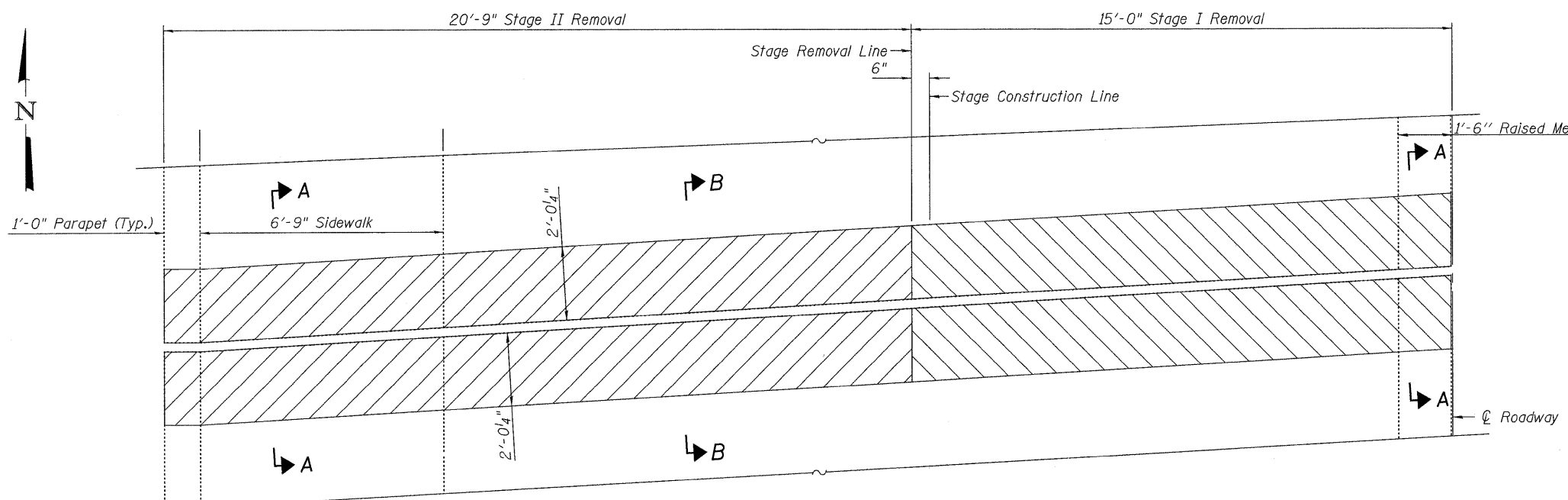
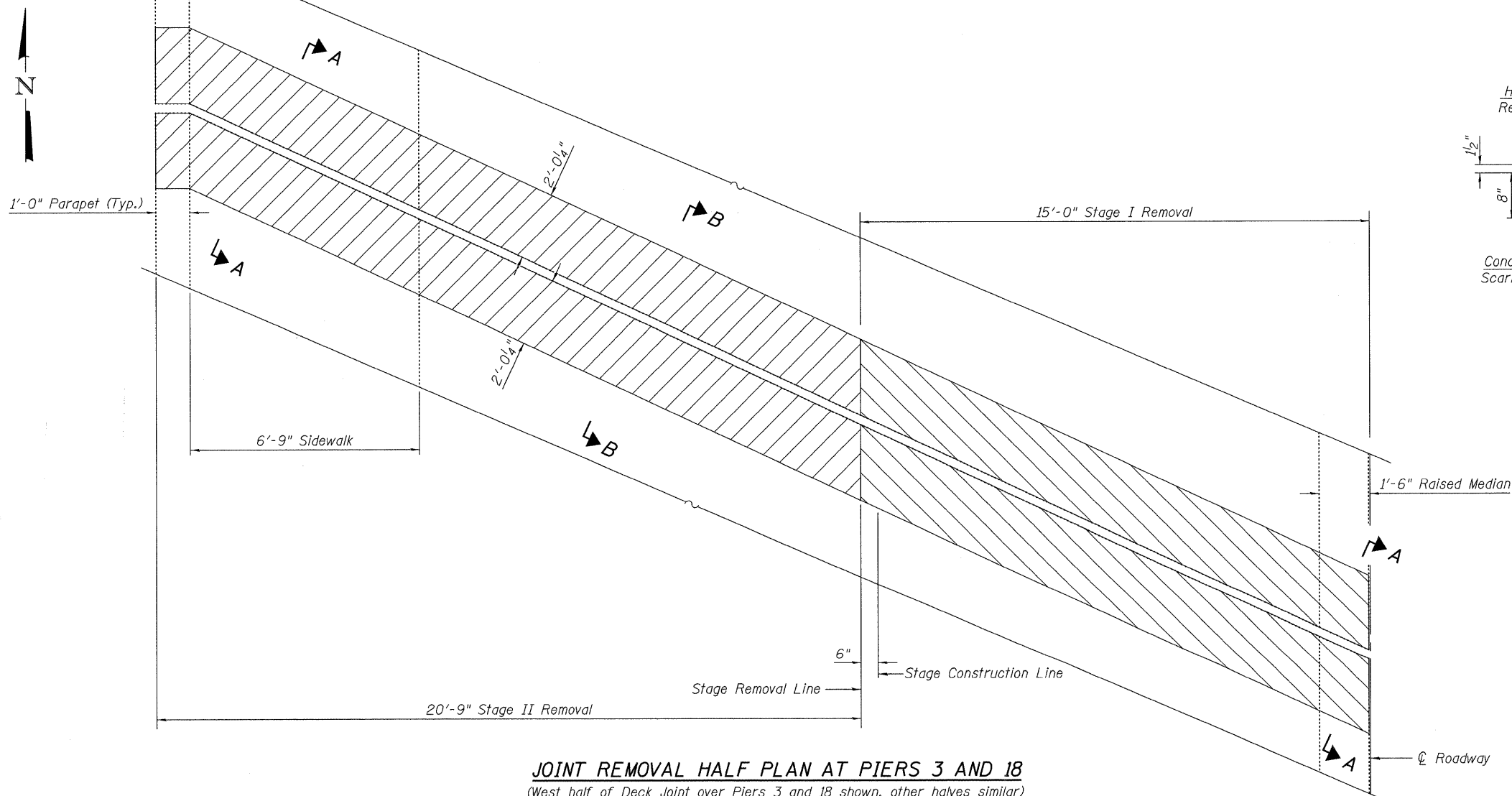


ROUTE NO.	SECTION	COUNTY	TOTAL SHEETS	SHEET NO.	SHEET NO. 7 35 SHEETS
FAU 2943	1212.8 -I-1	Cook	51	17	
FED. ROAD DIST. NO. 7	ILL. DIST.	FED. AID PROJECT			

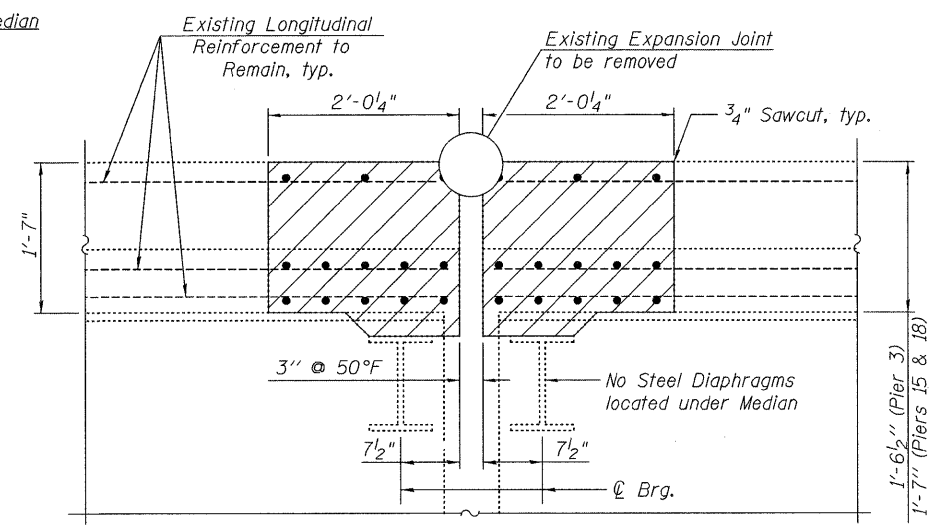
Contract # 60D74



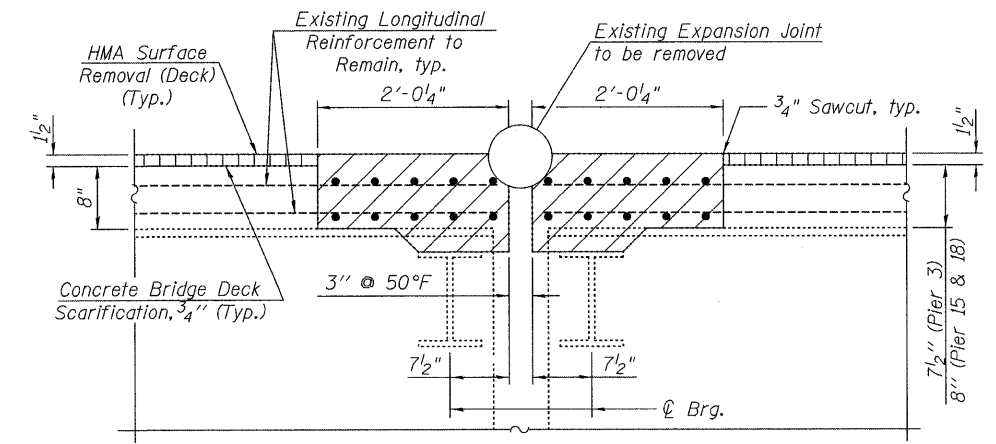
JOINT REMOVAL HALF PLAN AT PIER 15
(West half of Deck Joint over Pier 15 shown, other half similar)



JOINT REMOVAL HALF PLAN AT PIERS 3 AND 18
(West half of Deck Joint over Piers 3 and 18 shown, other halves similar)



SECTION A-A



SECTION B-B

NOTES:

- Removal of the existing expansion joints will not be paid for separately but shall be included in the cost for Concrete Removal.
- Hatched areas indicate concrete sections to be removed. Care shall be exercised by the contractor during and following Concrete Removal operations to ensure that the existing rebar remaining in place are not damaged. All existing reinforcement to be incorporated into new construction shall be blast-cleaned, straightened, and properly positioned prior to concrete placement. Any reinforcement damaged during Concrete Removal shall be repaired or replaced using an approved Bar Splicer or Mechanical System. Cost included with Concrete Removal.
- Concrete Removal is included in the Bill of Material on sheet 12 of 35.
- See Sheet 1 and 2 of 35 for skew angle at joint.

<p>Excellence through Ownership</p> <p>200 West Front Street Wheaton, IL 60187</p>	<p>ILLINOIS DEPARTMENT OF TRANSPORTATION EXPANSION JOINT REMOVAL AT PIERS 3, 15 & 18 BURNHAM AVE OVER STATE ST, R.R. & RIVER FAU RTE 2943 SECTION 1212.8-I-1 COOK COUNTY STATION 231+79.04 STRUCTURE NO. 016-0806</p>
	<p>DATE: 1-14-2009</p> <p>DRAWN BY: WJV CHECKED BY: BLB</p>

K:\11225503\Structures\Burnham Ave. Over R.R. & River\Final Plans\Exp.Joints.dgn 1/13/2009