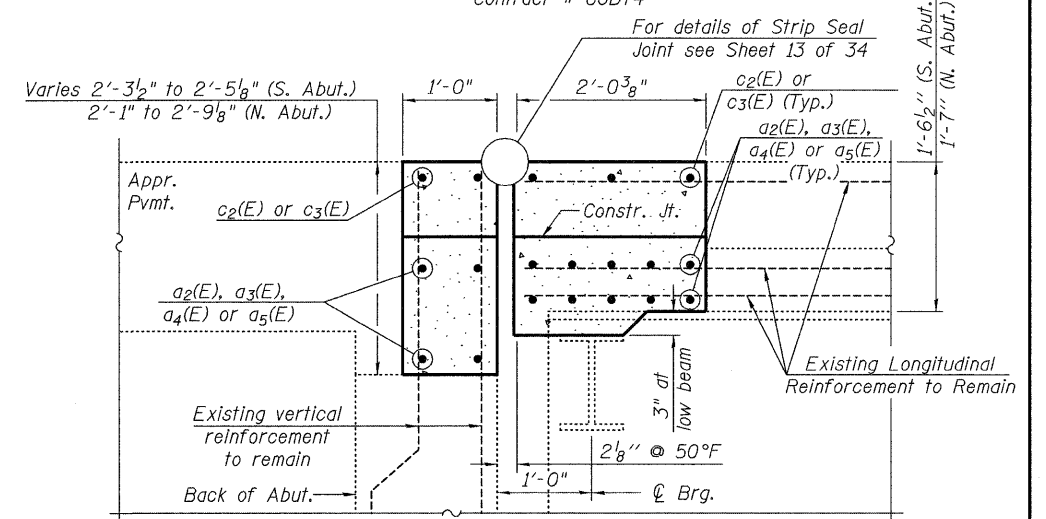
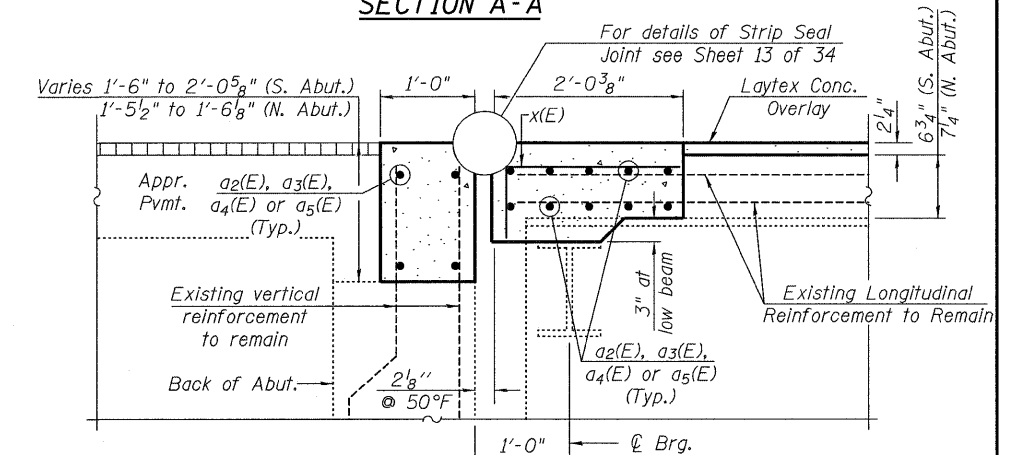


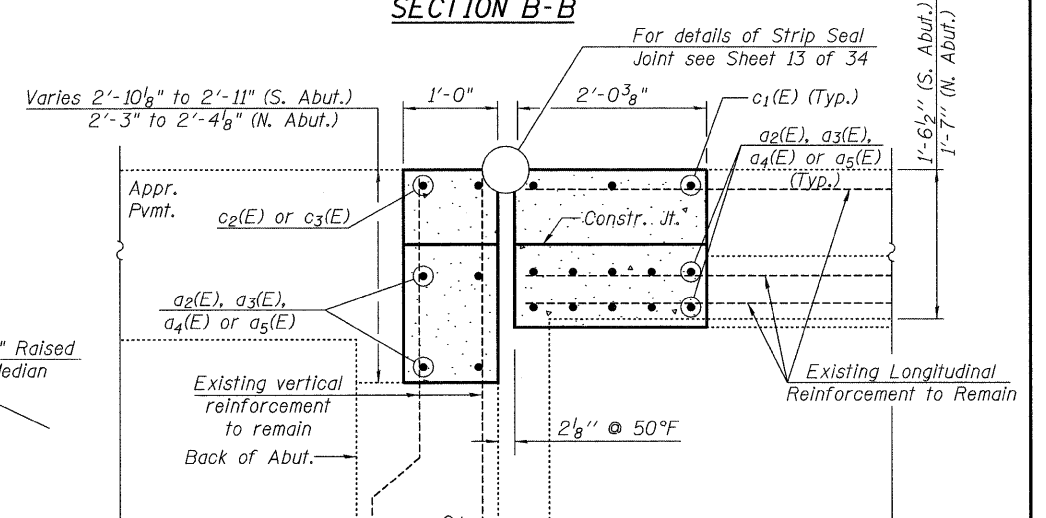
Contract # 60D74



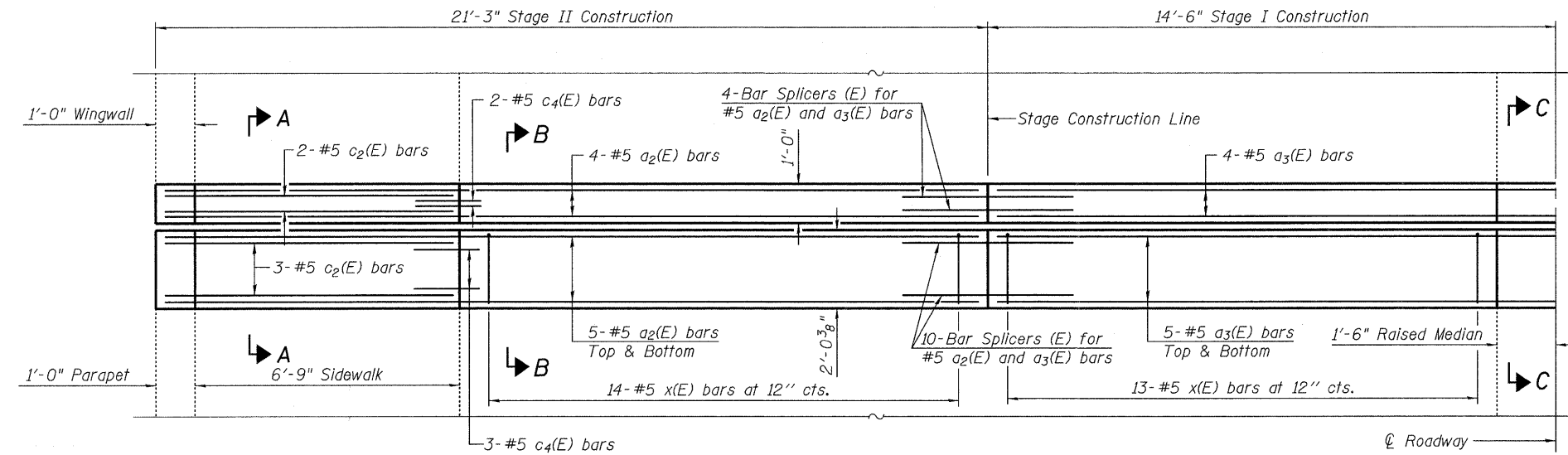
SECTION A-A



SECTION B-B

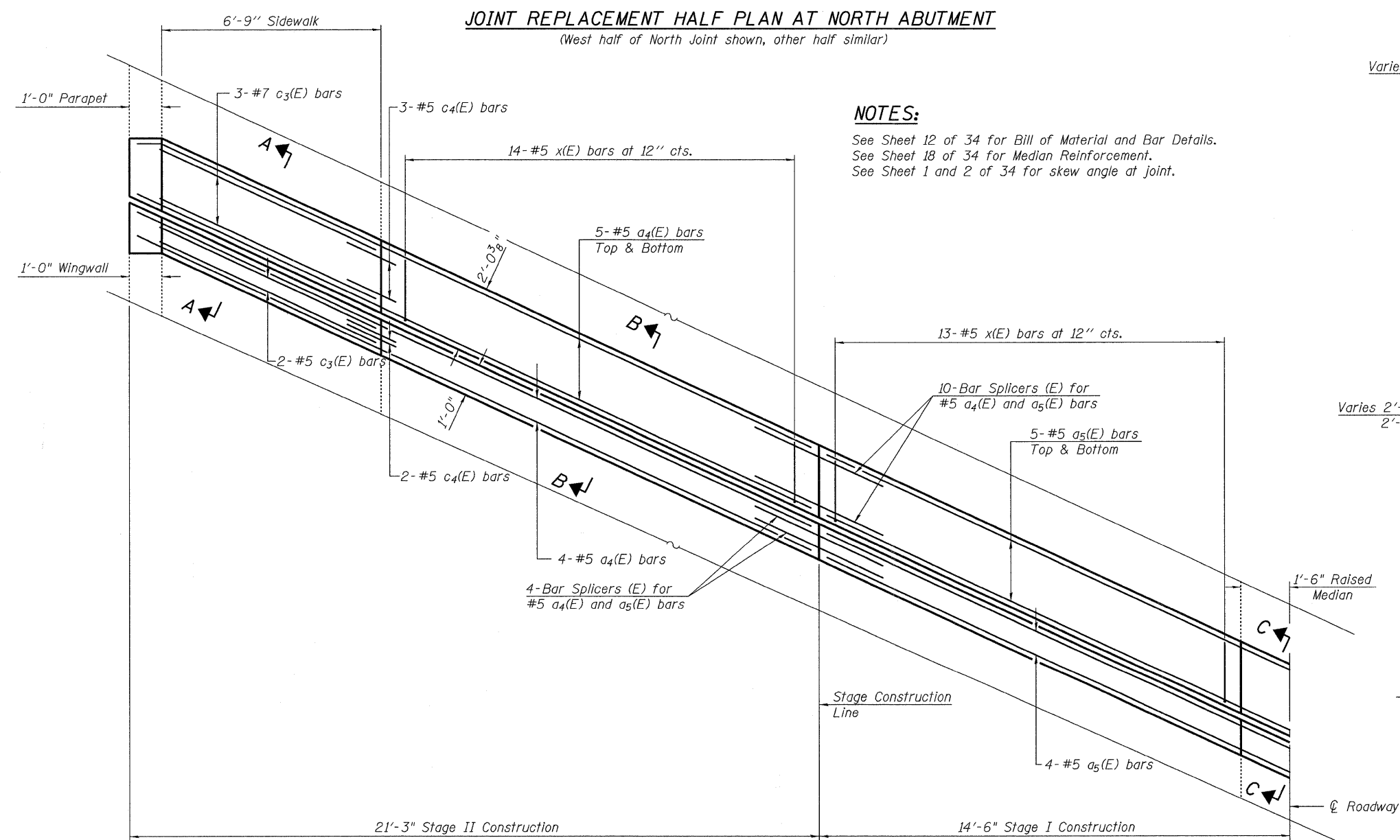


SECTION C-C



JOINT REPLACEMENT HALF PLAN AT NORTH ABUTMENT  
(West half of North Joint shown, other half similar)

**NOTES:**  
See Sheet 12 of 34 for Bill of Material and Bar Details.  
See Sheet 18 of 34 for Median Reinforcement.  
See Sheet 1 and 2 of 34 for skew angle at joint.



JOINT REPLACEMENT HALF PLAN AT SOUTH ABUTMENT  
(West half of South Joint shown, other half similar)

|  |  |
|--|--|
| <p>Excellence through Ownership</p> <p>200 West Front Street<br/>Wheaton, IL 60187</p> | <p>ILLINOIS DEPARTMENT OF TRANSPORTATION<br/>EXPANSION JOINT REPLACEMENT<br/>AT ABUTMENTS<br/>BURNHAM AVE OVER STATE ST, R.R. &amp; RIVER<br/>FAU RTE 2943 SECTION 1212.8-I-1<br/>COOK COUNTY<br/>STATION 231+79.04<br/>STRUCTURE NO. 016-0806</p> |
|  | <p>DATE: 1-14-2009</p> <p>DRAWN BY: WJV<br/>CHECKED BY: BLB</p>  |