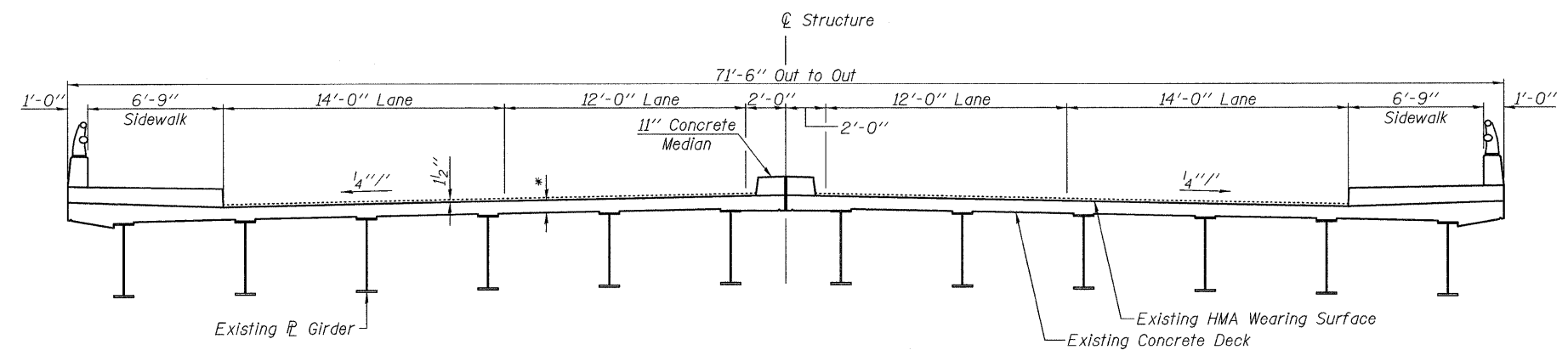


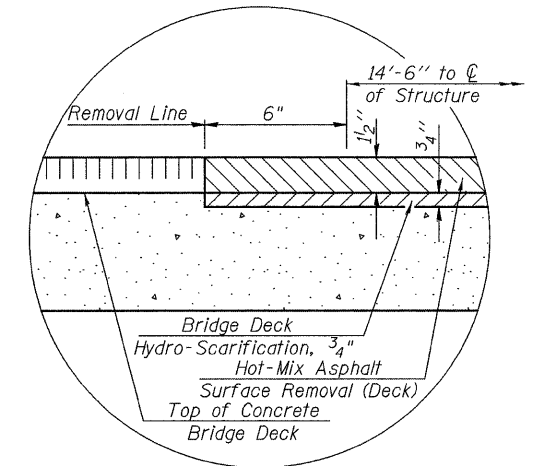
ROUTE NO.	SECTION	COUNTY	TOTAL SHEETS	SHEET NO.
FAU 2943	1212.8 -I-1	Cook	51	14
FED. ROAD DIST. NO. 7	ILLINOIS	FED. AID PROJECT		

SHEET NO. 4
35 SHEETS

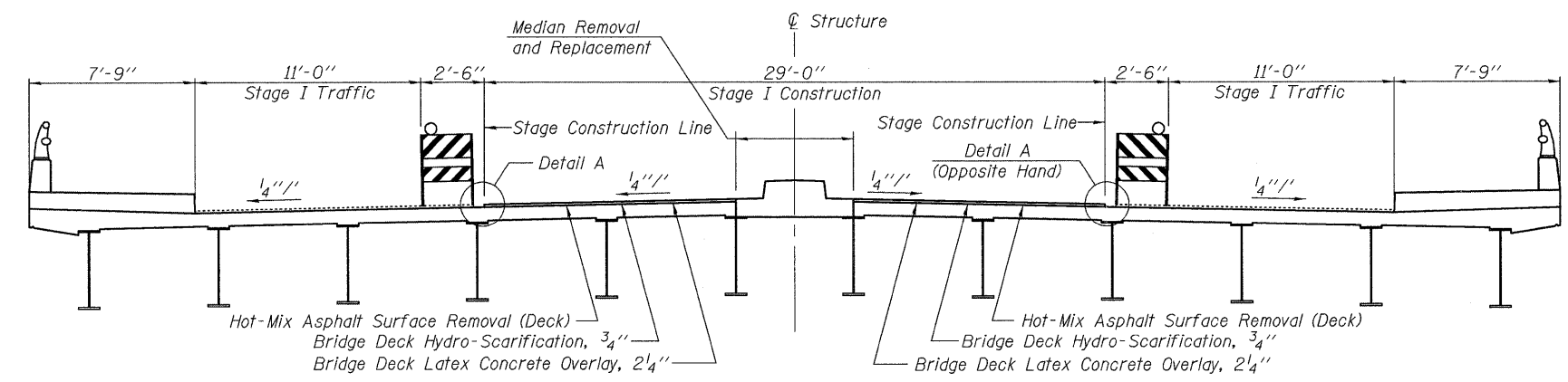
Contract # 60D74



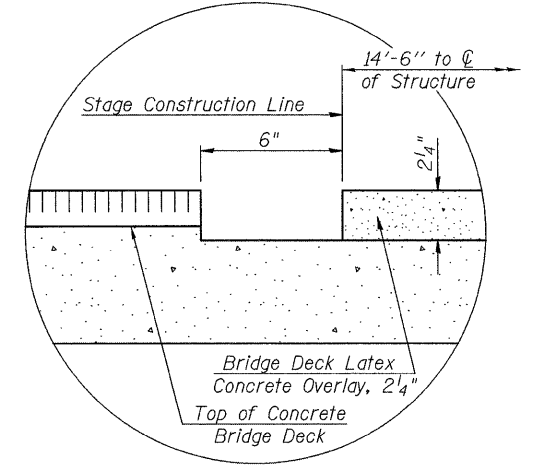
EXISTING CROSS SECTION
*7 1/2" Slab, Spans 1-3; 8" Slab, Spans 4-28



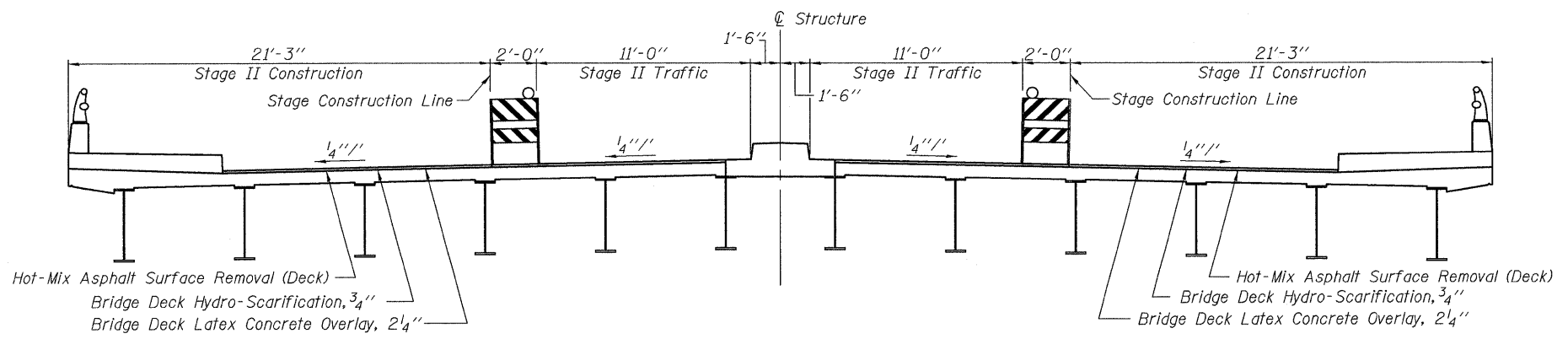
DETAIL A
(Showing Removal)



STAGE I CROSS SECTION



DETAIL A
(Showing Proposed)



STAGE II CROSS SECTION

<p>Excellence through Ownership</p> <p>200 West Front Street Wheaton, IL 60187</p>	ILLINOIS DEPARTMENT OF TRANSPORTATION
	TYPICAL CROSS SECTIONS WITH STAGING BURNHAM AVE OVER STATE ST, R.R. & RIVER FAU RTE 2943 SECTION 1212.8-I-1 COOK COUNTY STATION 231+79.04 STRUCTURE NO. 016-0806
	DATE: 1-14-2009
	DRAWN BY JMT CHECKED BY WJV

K:\11225503\Structures\Burnham Ave. Over R.R. & River\Final\PIens\VPED.dgn 1/13/2009