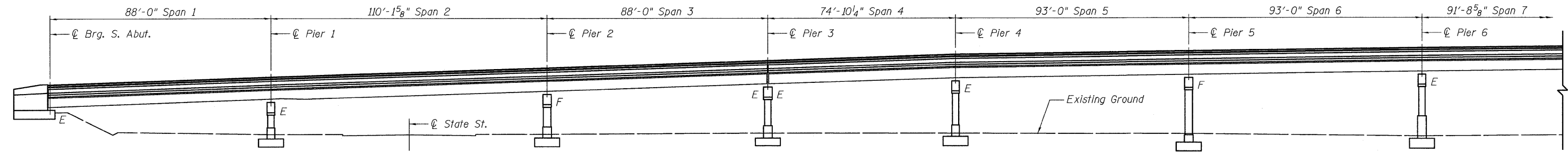
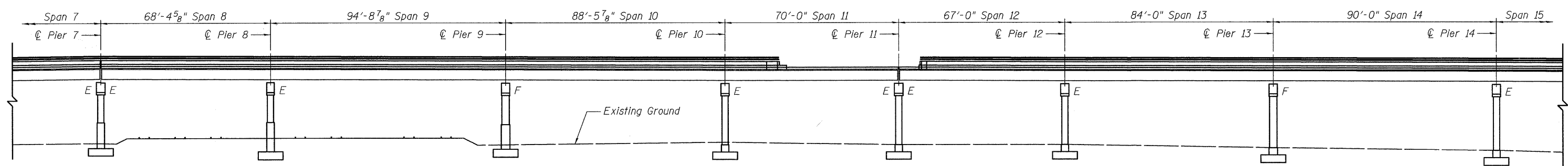


ROUTE NO.	SECTION	COUNTY	TOTAL SHEETS	SHEET NO.	SHEET NO. 3 35 SHEETS
FAU 2943	1212.8 -I-1	Cook	51	13	
FED. ROAD DIST. NO. 7	ILLINOIS	FED. AID PROJECT			

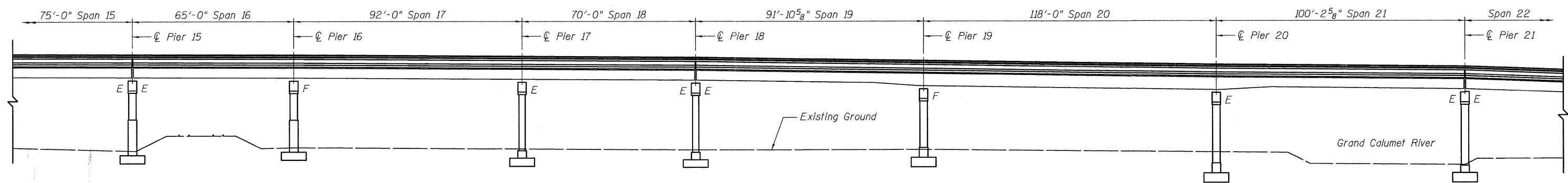
Contract # 60D74



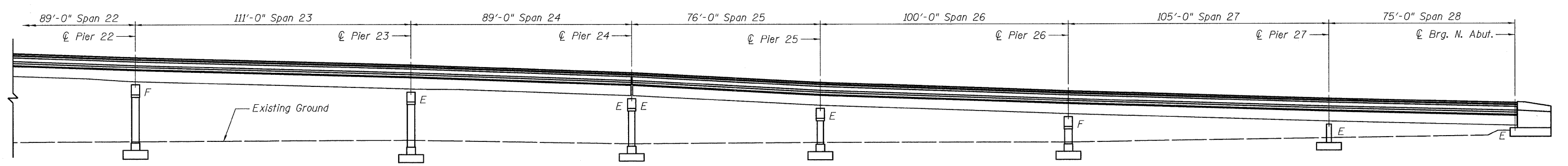
ELEVATION I



ELEVATION II



ELEVATION III



ELEVATION IV

<p>Excellence through Ownership</p> <p>200 West Front Street Wheaton, IL 60187</p>	ILLINOIS DEPARTMENT OF TRANSPORTATION
	ELEVATION BURNHAM AVE OVER STATE ST, R.R. & RIVER FAU RTE 2943 SECTION 1212.8-I-1 COOK COUNTY STATION 231+79.04 STRUCTURE NO. 016-0806
	DATE: 1-14-2009
	DRAWN BY: LM CHECKED BY: WJV

1/13/2009 K:\122593\Structures\Burnham Ave. Over R.R. & River\Final\Plana\VPED.dgn