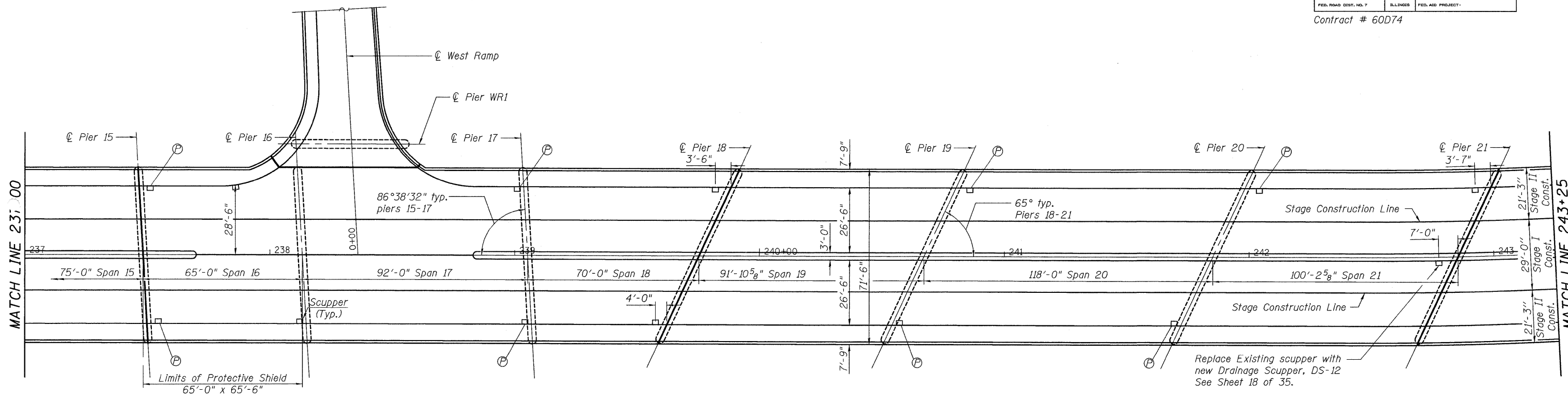


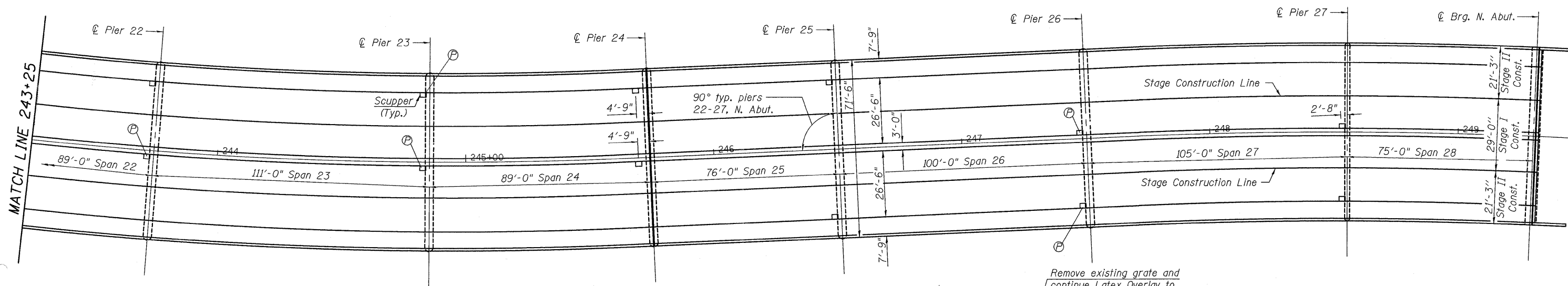
ROUTE NO.	SECTION	COUNTY	TOTAL SHEETS	SHEET NO.	SHEET NO. 2 35 SHEETS
FAU 2943	1212.8 -I-1	Cook	51	12	
FED. ROAD DIST. NO. 7	ILLINOIS	FED. AID PROJECT-			

Contract # 60D74



Ⓟ - Plug Existing Deck drain

PLAN III



PLAN IV

GENERAL NOTES

Reinforcement bars shall conform to the requirements of ASTM A 706 Gr 60, See Special Provisions.

Reinforcement bars designated (E) shall be epoxy coated.

Prior to pouring the new concrete deck, all heavy or loose rust, loose mill scale, and other loose or potentially detrimental foreign material shall be removed from the surfaces in contact with concrete. Tightly adhered paint may remain unless otherwise noted. Removal shall be accomplished by methods that will not damage the steel and the cost will be included in the pay item covering removal of the existing concrete.

Plan dimensions and details relative to existing plans are subject to nominal construction variations. The Contractor shall field verify existing dimensions and details affecting new construction and make necessary approved adjustments prior to construction or ordering of materials. Such variations shall not be cause for additional compensation for a change in scope of the work, however, the

Contractor will be paid for the quantity actually furnished at the unit price bid for the work.

The existing structural steel coating contains lead. The Contractor shall take appropriate precautions to deal with the presence of lead on this project.

Two 1/8 in. adjusting shims shall be provided for each bearing in addition to all other plates or shims and placed as shown on bearing details.

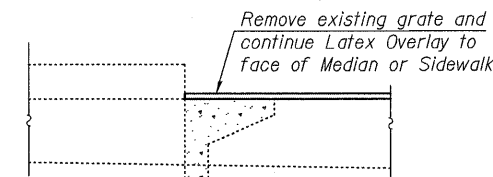
All new structural steel shall be shop painted with an inorganic zinc rich primer per AASHTO M 300, Type 1.

These plans have been prepared from notes received from the Illinois Department of Transportation field maintenance Engineers.

Protective Coat shall not be applied over Latex Concrete Overlay.

All construction joints shall be bonded.

Joint openings shall be adjusted according to Article 520.04 of the Standard Specifications when the deck is poured at an ambient temperature other than 50°F.



Field drill 3/8" ϕ hole for 1/4" ϕ threaded rod 1'-1" long with nuts & washers

Deck Drains shall be eliminated by field drilling a 3/8" ϕ hole through the bottom of the drain, installing a 1/4" ϕ threaded rod and filling the drain with concrete.

DRAIN PLUGGING DETAIL

<p>Excellence through Ownership</p> <p>200 West Front Street Wheaton, IL 60187</p>	ILLINOIS DEPARTMENT OF TRANSPORTATION
	GENERAL PLAN - II BURNHAM AVE OVER STATE ST, R.R. & RIVER FAU RTE 2943 SECTION 1212.8-I-1 COOK COUNTY STATION 231+79.04 STRUCTURE NO. 016-0806
	DATE: 1-14-2009
	DRAWN BY LM CHECKED BY WJV