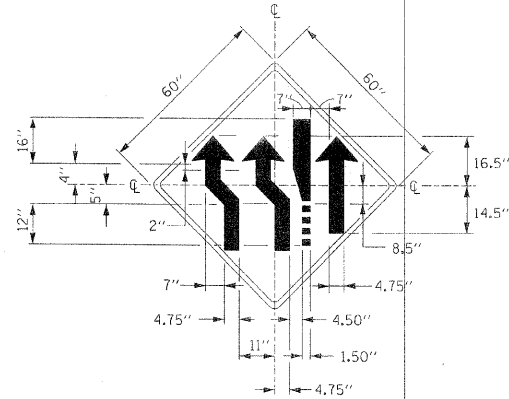


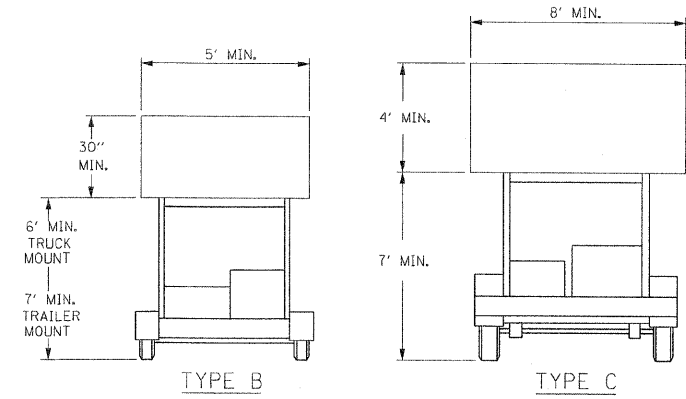
SIGN TS-1CL

COLOR: COLOR - BLACK (NON - REFLECTORIZED)
 COLOR: BACKGROUND YELLOW (REFLECTORIZED) PERMANENT USAGE
 * FLUORESCENT ORANGE CONSTRUCTION USAGE



SIGN TS-1CR

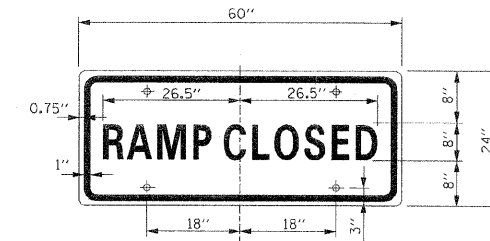
COLOR: COLOR - BLACK (NON - REFLECTORIZED)
 COLOR: BACKGROUND YELLOW (REFLECTORIZED) PERMANENT USAGE
 * FLUORESCENT ORANGE CONSTRUCTION USAGE



TYPE B TRUCK OR TRAILER MOUNTED **TYPE C TRAILER MOUNTED**

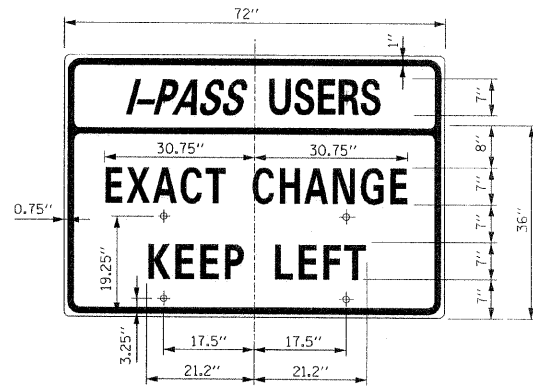
ARROW BOARDS SHALL BE IN ACCORDANCE WITH THE STANDARD SPECIFICATIONS. TYPE C UNITS ARE TO BE USED FOR ALL OPERATIONS 24 HOURS OR MORE IN DURATION AND TYPE B UNITS MAY BE USED FOR OPERATIONS LESS THAN 24 HOURS IN DURATION. ARROW BOARDS SHALL NOT BE USED TO DIRECT PASSING MOVES INTO LANES USED BY OPPOSING TRAFFIC.

FLASHING ARROW BOARDS
SIGN TS-8



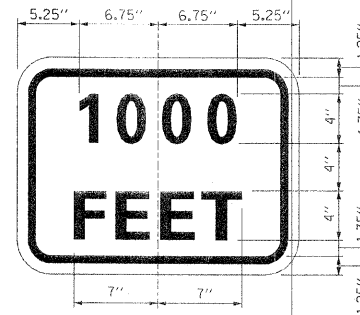
SIGN TS-6

COLOR: BACKGROUND - WHITE (REFLECTORIZED)
 BORDER AND LETTERS - BLACK
 SIZE: 60"x24"
 LETTERING: 8" FEDERAL SERIES C
 MOUNTING HOLES: 3/16" DIA., 4 HOLES SPACED AS SHOWN



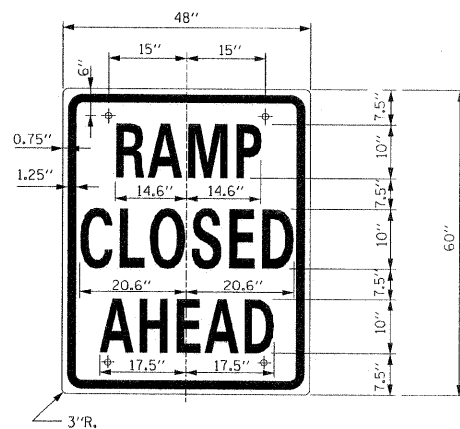
SIGN TS-7

COLOR: BACKGROUND - WHITE (REFLECTORIZED) (*A)
 BORDER AND LETTERS - BLACK
 SIZE: 72"x36"
 LETTERING: 7" FEDERAL SERIES C
 MOUNTING HOLES: 3/16" DIA., 4 HOLES SPACED AS SHOWN



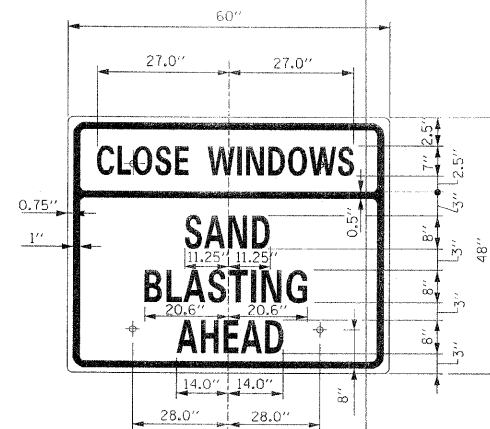
SUPPLEMENTAL PLATE

COLOR: BACKGROUND - * FLUORESCENT ORANGE
 BORDER AND LETTERS - BLACK
 SIZE: 24"x18"
 LETTERING: 4" FEDERAL SERIES D
 MOUNTING HOLES: 3/16" DIA.



SIGN TS-9

COLOR: BACKGROUND - WHITE (REFLECTORIZED)
 BORDER AND LETTERS - BLACK
 SIZE: 48"x60"
 LETTERING: 10" FEDERAL SERIES C
 MOUNTING HOLES: 3/16" DIA., 4 HOLES SPACED AS SHOWN



SIGN TS-10

COLOR: BACKGROUND - * FLUORESCENT ORANGE
 BORDER AND LETTERS - BLACK
 SIZE: 60"x48"
 LETTERING: 8" FEDERAL SERIES C, 7" FEDERAL SERIES B
 MOUNTING HOLES: 3/16" DIA., 4 HOLES SPACED AS SHOWN

GENERAL NOTES:

- ALL LETTERING IS DESIGNATED BY SIZE AND SERIES IN ACCORDANCE WITH THE LATEST EDITION OF "STANDARD ALPHABETS FOR HIGHWAY SIGNS AND PAVEMENT MARKINGS" AS PUBLISHED BY THE U.S. DEPARTMENT OF TRANSPORTATION. LETTERING SPACING SHALL BE IN ACCORDANCE WITH THE GUIDE EXCEPT WHERE NOTED.
 - SYMBOLS AND ARROWS SHALL CONFORM TO THE DETAILS SHOWN IN THE LATEST EDITION OF "STANDARD HIGHWAY SIGNS" AS PUBLISHED BY THE U.S. DEPARTMENT OF TRANSPORTATION.
 - SEE THE CONTRACT REQUIREMENTS FOR ADDITIONAL NOTES AND SPECIFICATIONS.
- FLUORESCENT ORANGE REFLECTIVE SHEETING PER THE STANDARD SPECIFICATIONS.
 - (*A) REFLECTIVE SHEETING PER THE STANDARD SPECIFICATIONS.

F.A.P. RTE.	SECTION	COUNTY	TOTAL SHEETS	SHEET NO.
341	N-4-C-1	KANE	32	28
CONTRACT 60D72				



DATE	REVISIONS

CONSTRUCTION SIGNS

STANDARD E1-00

APPROVED: *Jeff Daley*
 DATE 1-1-2007