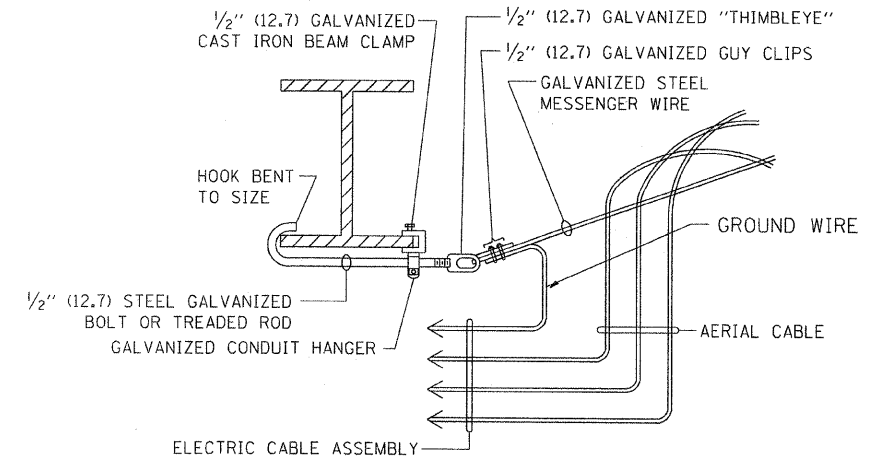


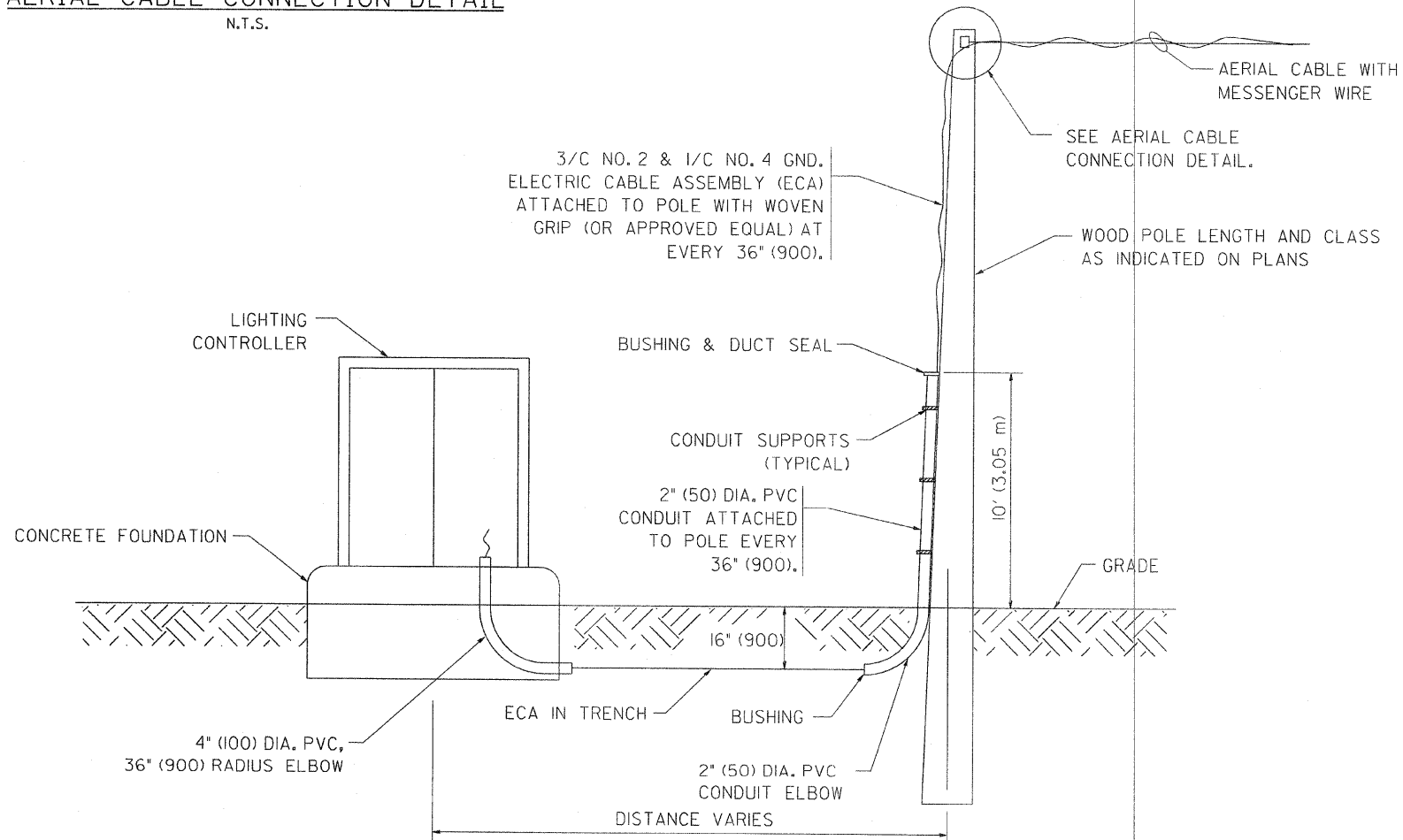
AERIAL CABLE CONNECTION DETAIL
N.T.S.



AERIAL CABLE ATTACHED TO STRUCTURE
NOT TO SCALE

NOTES:

1. ALL DIMENSIONS IN INCHES (MILLIMETERS) UNLESS OTHERWISE INDICATED.
2. SEE PROPOSED LIGHTING PLAN FOR CONDUIT, CABLE AND ROUTING.
3. THE CONTRACTOR SHALL PROVIDE INTERMEDIATE SUPPORTS TO MAINTAIN MINIMUM CLEARANCES. REFER TO AERIAL AERIAL CABLE ATTACHED TO STRUCTURE DETAIL.
4. COST OF SPLICES AND MOUNTING HARDWARE SHALL BE INCLUDED IN THE UNIT PRICE FOR AERIAL CABLE.



WOOD POLE TO LIGHTING CONTROLLER WIRING CONNECTION DETAIL
N.T.S.

| | | | | | | | | | | | | | |
|--|--------------------------|-----------------------|------------------------|----------|---|--|-------------------------|-------------|---------------------|---------------------|-----------------|---------------------|------------------|
| FILE NAME = W:\dststd\22x34\be801.dgn | USER NAME = gaglianob | DESIGNED - DRAWN - | REVISED - REVISED - | 08-08-03 | STATE OF ILLINOIS DEPARTMENT OF TRANSPORTATION | TEMPORARY AERIAL CABLE INSTALLATION | | | F.A.P. RATE: 341 | SECTION: N-4-C-1 | COUNTY: KANE | TOTAL SHEETS: 32 | SHEET NO.: 24 |
| PLOT SCALE = 50,000' / IN. | CHECKED - | REVISOR - | DATE - | | | SCALE: NONE | SHEET NO. 1 OF 1 SHEETS | STA. 179+00 | TO STA. 194+00 | BE-801 | | | |
| PLOT DATE = 1/4/2008 | DATE - | REVISOR - | DATE - | | | CONTRACT NO. 60D72 | | | | | | | |