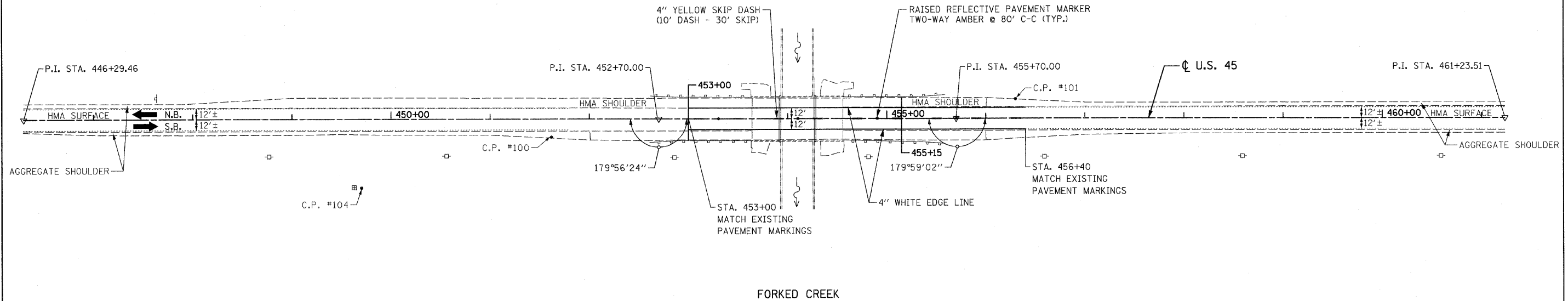


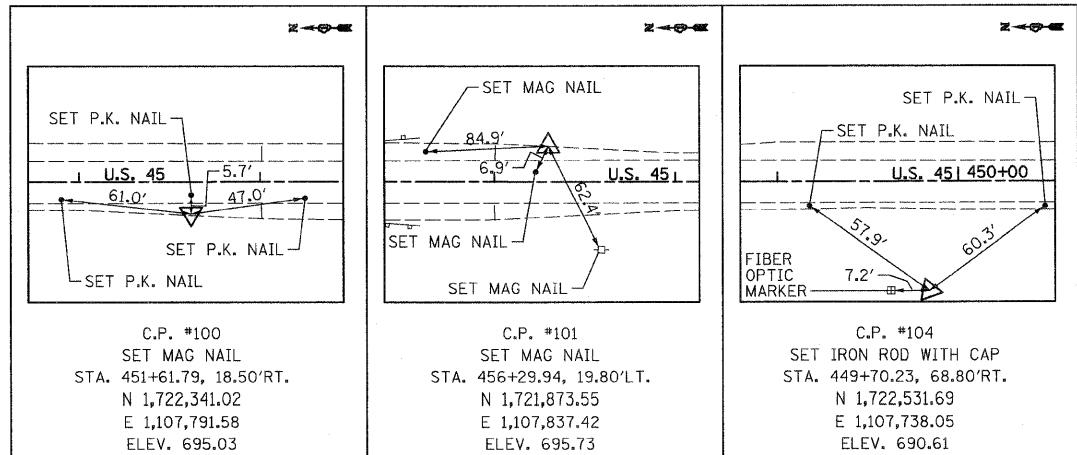


WILL COUNTY



FORKED CREEK

PAVEMENT MARKING NOTES:  
 1. ALL PAVEMENT MARKINGS ON BRIDGE DECK AND PAVEMENT SHALL BE POLYUREA, TYPE I.



CENTERLINE ALIGNMENT			
	NORTHING	EASTING	STATION
P. I.	1, 721, 379.72	1, 107, 825.33	446+29.46
P. I.	1, 721, 984.90	1, 107, 815.46	452+70.00
☉ BRIDGE	1, 722, 093.15	1, 107, 814.15	454+10.00
P. I.	1, 722, 181.85	1, 107, 812.09	455+70.00
P. I.	1, 722, 873.58	1, 107, 801.06	461+23.51