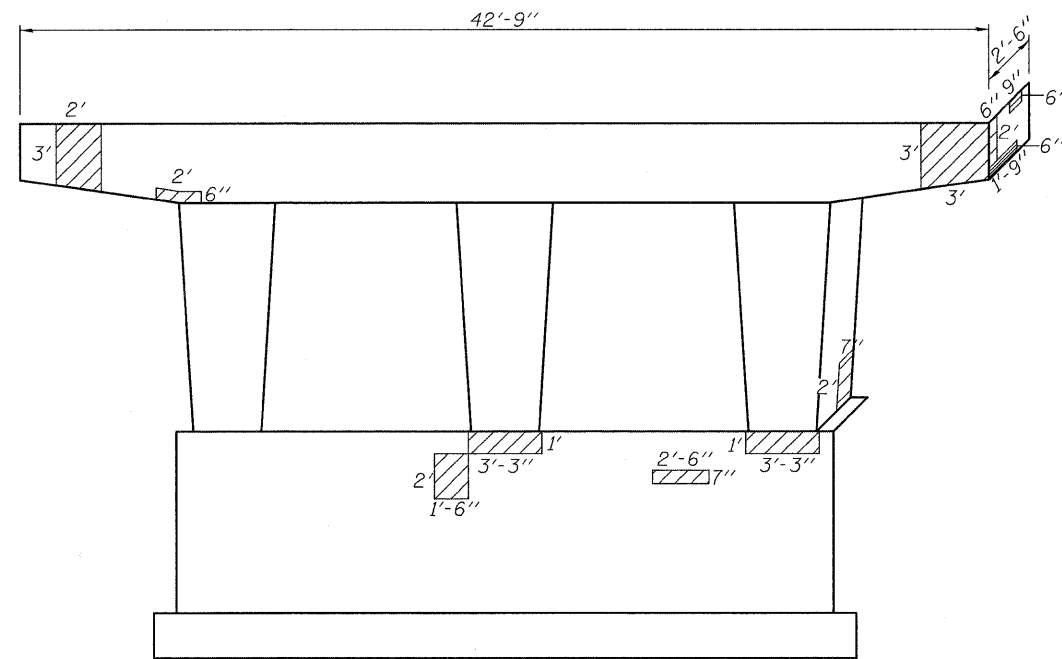
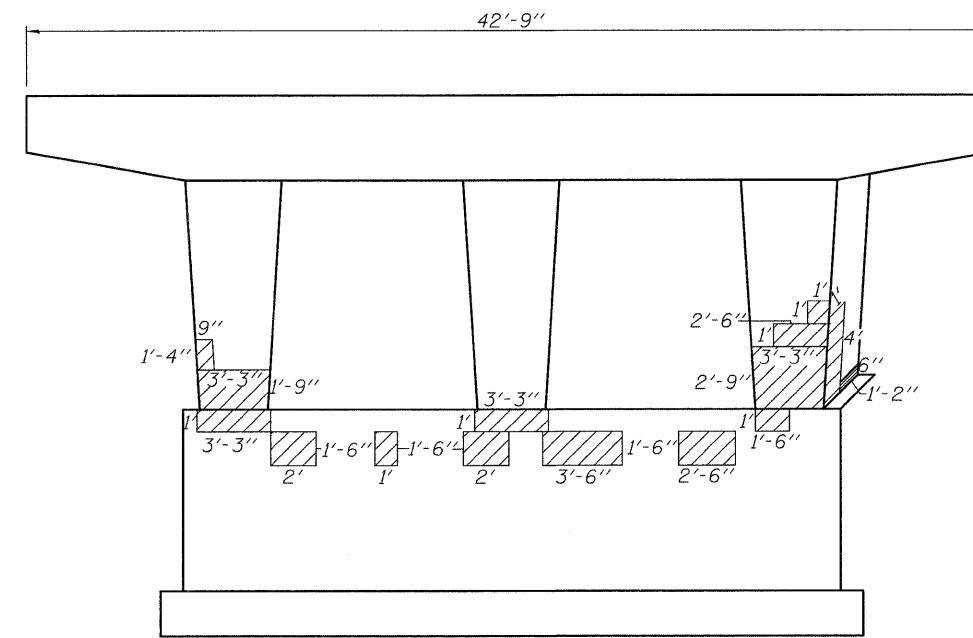


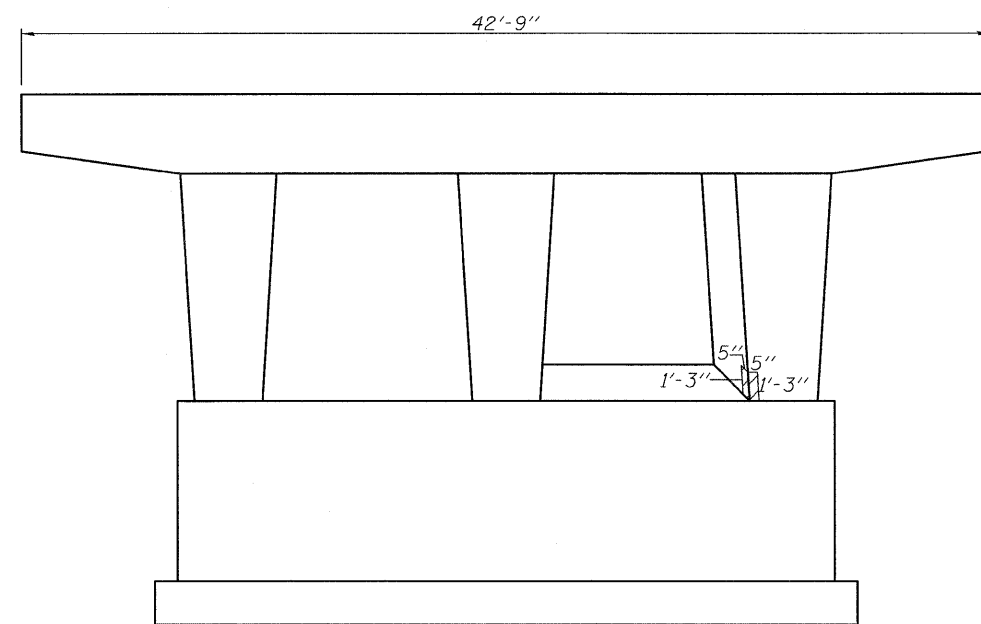
Contract #60D65



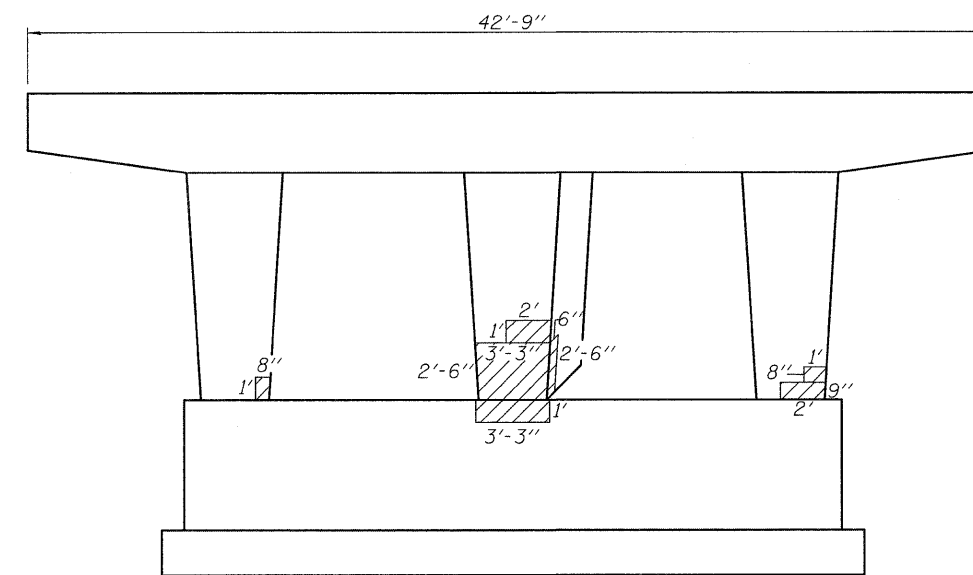
WEST ELEVATION PIER #1



EAST ELEVATION PIER #1



WEST ELEVATION PIER #2



WEST ELEVATION PIER #3

**BILL OF MATERIAL**

Item	Unit	Quantity
Structural Repair of Concrete (Depth equal to or less than 5')	Sq. Ft.	97

Structural Repair of Concrete (Depth equal to or less than 5')

**rjngroup**  
Excellence through Ownership  
200 West Front Street  
Wheaton, IL 60187

ILLINOIS DEPARTMENT OF TRANSPORTATION

PIER REPAIRS  
NORTH PEOTONE ROAD OVER I-57  
FAI RTE 57 SECTION 99-2HB-1-I-2  
WILL COUNTY  
STATION 1035+6.40  
STRUCTURE NO. 099-0162

DATE: 1-14-2009

DRAWN BY JMT  
CHECKED BY WJV