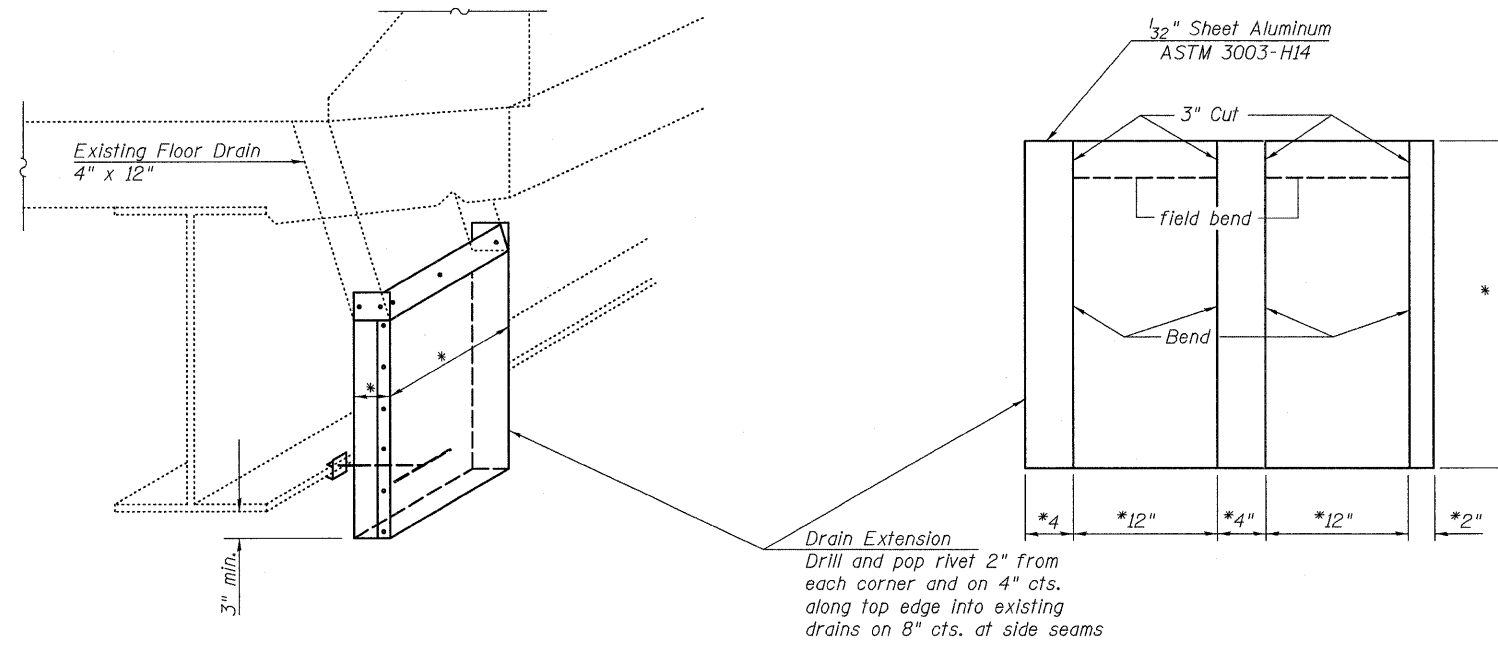
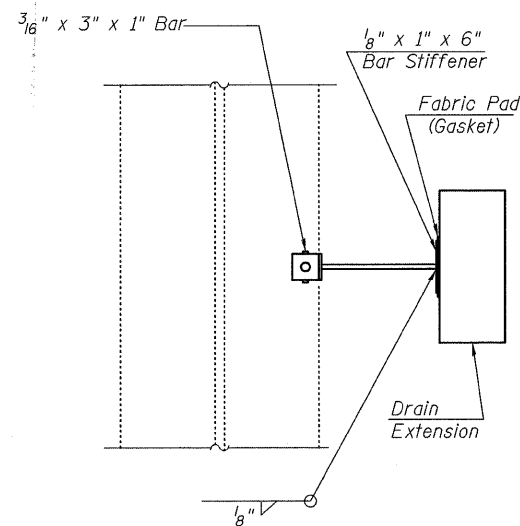


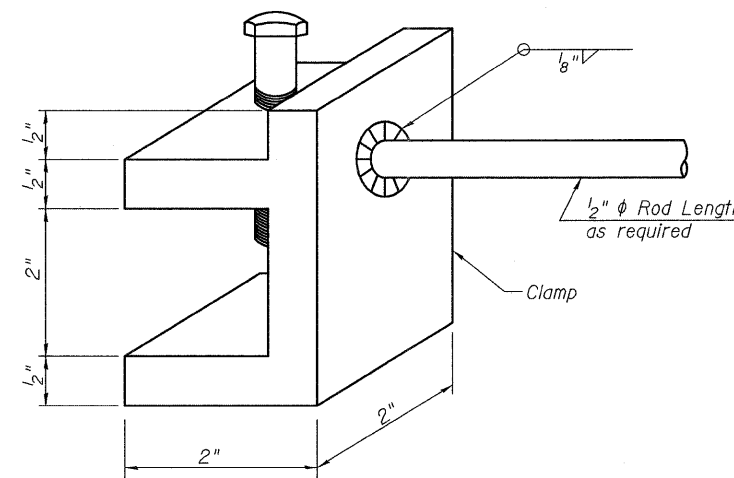
Contract #60D65



\*Field measure and cut to fit existing drain



**STEEL CLAMP**



Field drill  $\frac{3}{8}$ "  $\phi$  hole for  $\frac{1}{4}$ "  $\phi$  threaded rod 1'-1" long with nuts & washers

Deck Drains shall be eliminated by field drilling a  $\frac{3}{8}$ "  $\phi$  hole through the bottom of the drain, installing a  $\frac{1}{4}$ "  $\phi$  threaded rod and filling the drain with concrete.

**DRAIN PLUGGING DETAIL**

**NOTES**

Pop rivet the  $\frac{1}{8}$ " x 1" bar to drain extension. Weld or securely attach rod to both the clamp and bar stiffener. Use  $\frac{3}{16}$ " stainless steel pop rivets of sufficient length.

Clamp shown in approximate dimensions. Similar commercially available may be substituted.

An aluminum extrusion drain extension of similar dimensions may be substituted.

If there is a floor drain extension already in place where a new floor drain extension is to be installed, Contractor shall remove it and properly dispose of it. Removal and disposal of the existing floor drain extensions shall be included with the cost of Floor Drain Extensions.

**BILL OF MATERIAL**

ITEM	UNIT	TOTAL
Plug Existing Deck Drains	Each	1
Floor Drain Extension	Each	13

<p>Excellence through Ownership</p> <p>200 West Front Street Wheaton, IL 60187</p>	<p>ILLINOIS DEPARTMENT OF TRANSPORTATION</p> <p>FLOOR DRAIN DETAILS</p> <p>NORTH PEOTONE ROAD OVER I-57</p> <p>FAI RTE 57 SECTION 99-2HB-1-I-2</p> <p>WILL COUNTY</p> <p>STATION 1035+6.40</p> <p>STRUCTURE NO. 099-0162</p> <p>DATE: 1-14-2009</p>
	<p>DRAWN BY WJV</p> <p>CHECKED BY BLB</p>