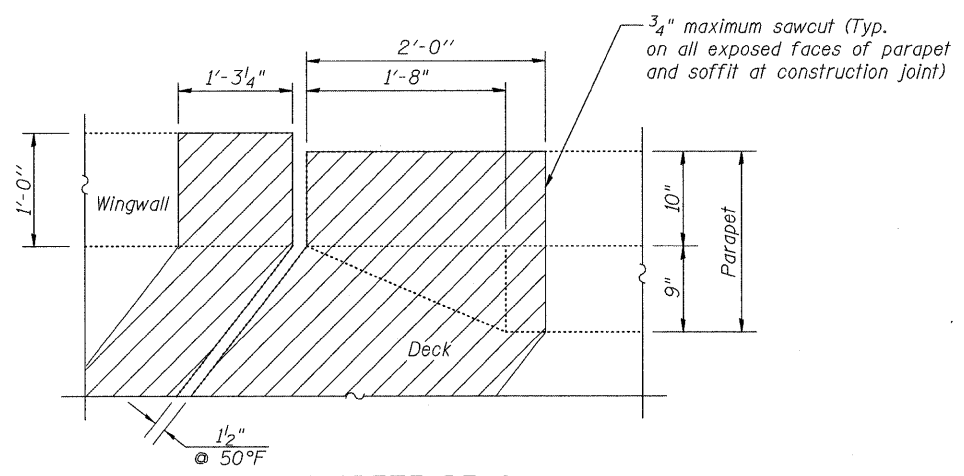


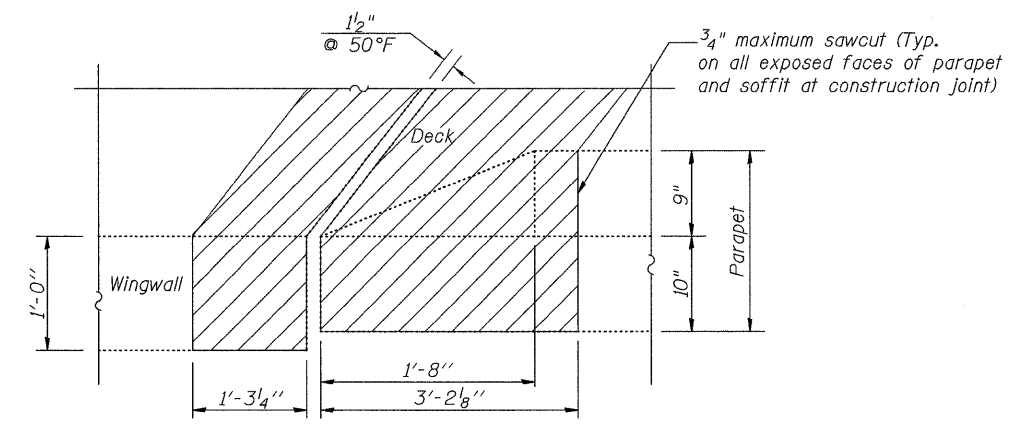
ROUTE NO.	SECTION	COUNTY	SHEET NO.	SHEET NO.
FAI 57	99-2HB -1-I-2	WILL	34	20
FED. ROAD DIST. NO. 7	ILLINOIS	FED. AID PROJECT		

Contract #60D65

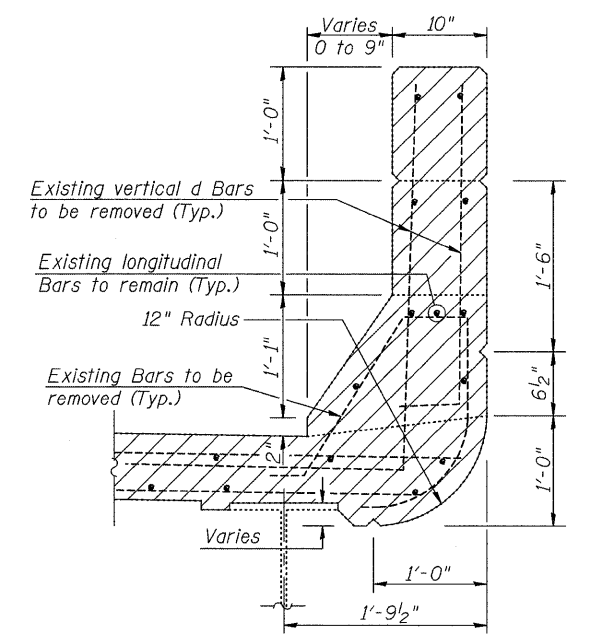
SHEET NO. 4
12 SHEETS



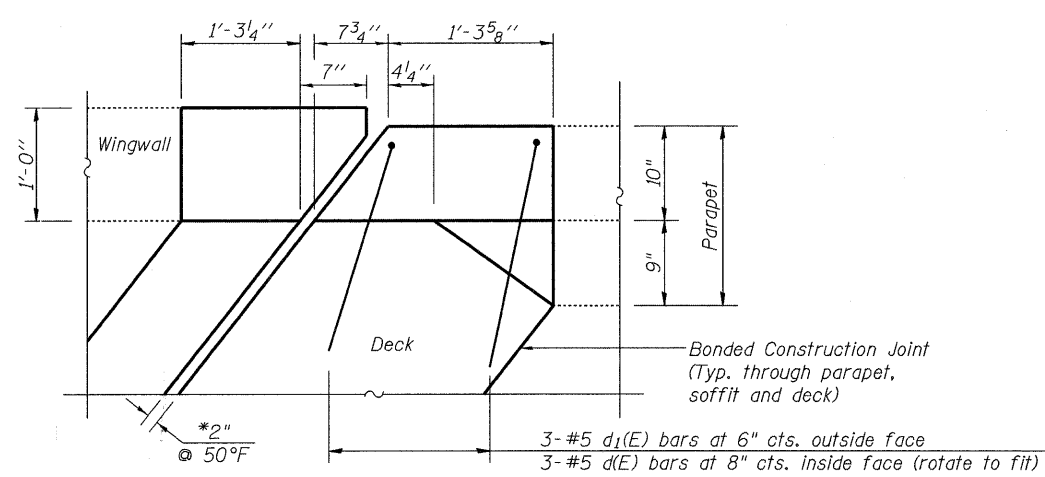
PLAN - CONCRETE REMOVAL
(North end of W. Abut.
and South end of E. Abut.)



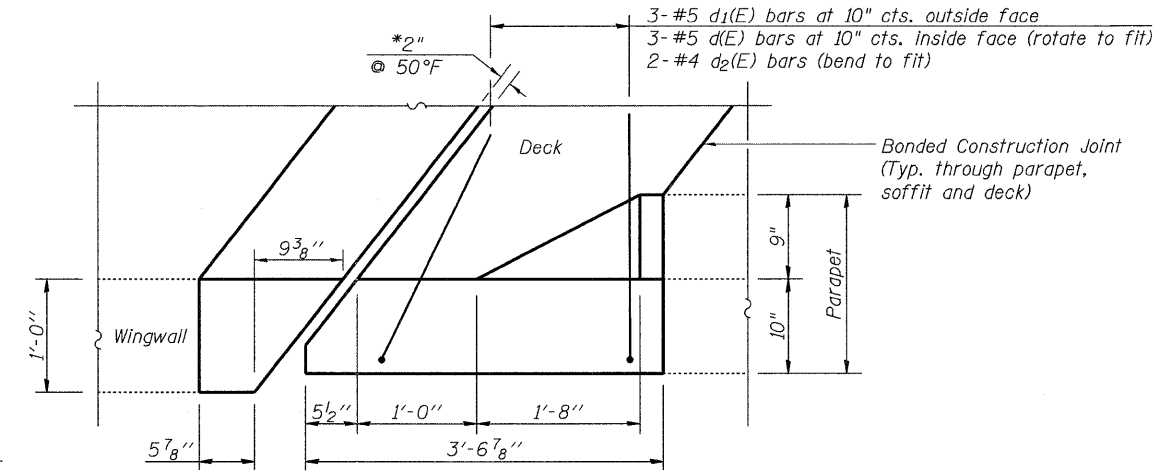
PLAN - CONCRETE REMOVAL
(South end of W. Abut.
and North end of E. Abut.)



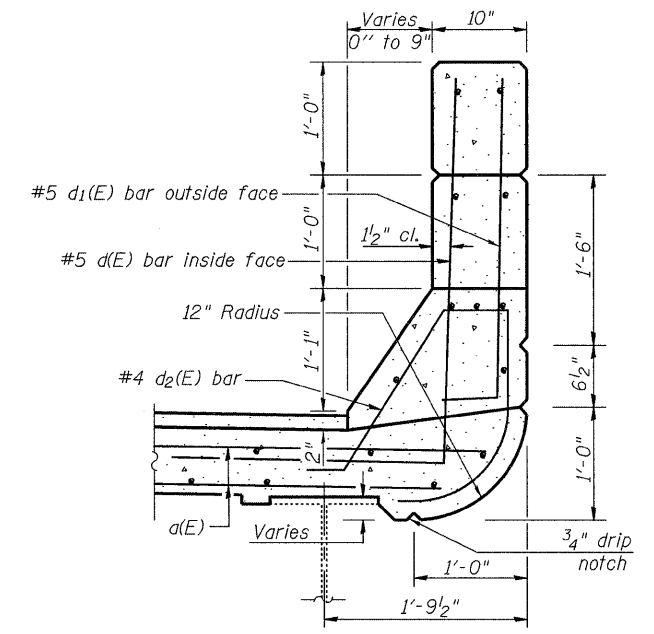
SECTION THROUGH PARAPET & SOFFIT - CONCRETE REMOVAL



PLAN - CONCRETE REPLACEMENT
(North end of W. Abut.
and South end of E. Abut.)



PLAN - CONCRETE REPLACEMENT
(South end of W. Abut.
and North end of E. Abut.)



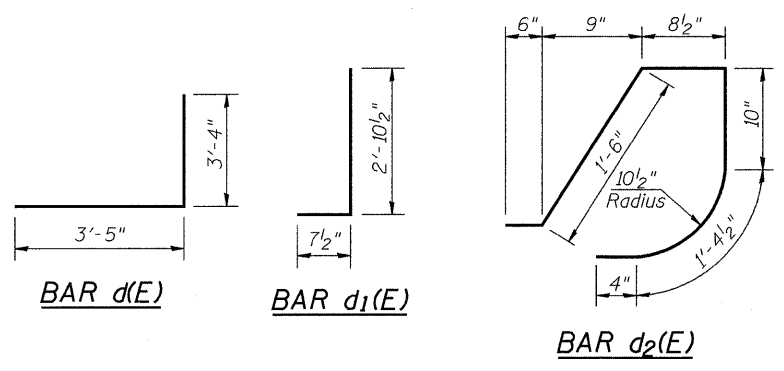
SECTION THROUGH PARAPET & SOFFIT - CONCRETE REPLACEMENT

* See sheet 5 of 12 for Notes.

NOTES

Hatched areas indicate concrete sections to be removed. Care shall be exercised by the contractor during and following Concrete Removal operations to ensure that the existing rebar remaining in place are not damaged. All existing reinforcement to be incorporated into new construction shall be blast-cleaned, straightened, and properly positioned prior to concrete placement. Any reinforcement damaged during Concrete Removal shall be repaired or replaced using an approved Bar Splicer or Mechanical System. Cost Included with Concrete Removal.

For simplicity, only proposed reinforcement critical to parapet replacement is shown.
See Sheet 3 of 12 for Bill of Material.



rjngroup
Excellence through Ownership
200 West Front Street
Wheaton, IL 60187

ILLINOIS DEPARTMENT OF TRANSPORTATION
EXPANSION JOINT REHABILITATION
AT PARAPET AND SOFFIT
NORTH PEOTONE ROAD OVER I-57
FAI RTE 57 SECTION 99-2HB-1-I-2
WILL COUNTY
STATION 1035+6.40
STRUCTURE NO. 099-0162
DATE: 1-14-2009
DRAWN BY LM
CHECKED BY WJW

K:\11225801 Structures\N Peotone over I-57\Layouts.dgn 1/14/2009