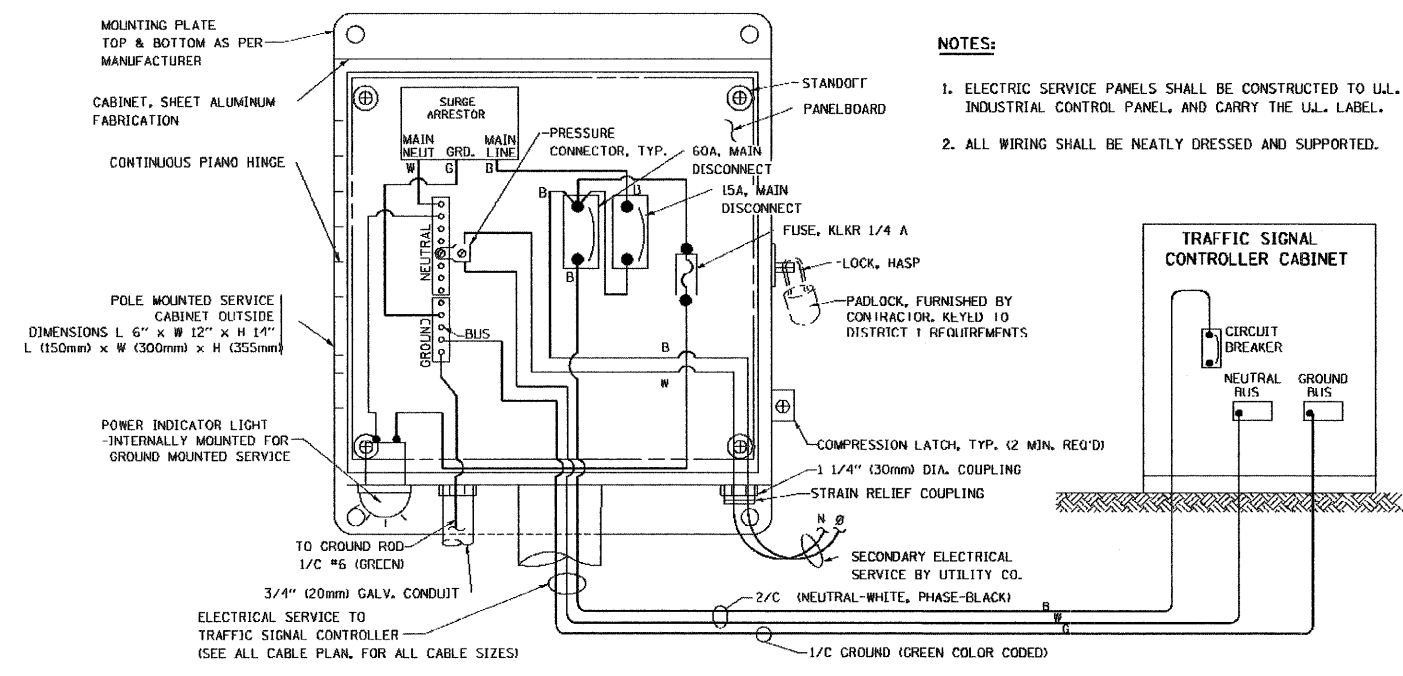
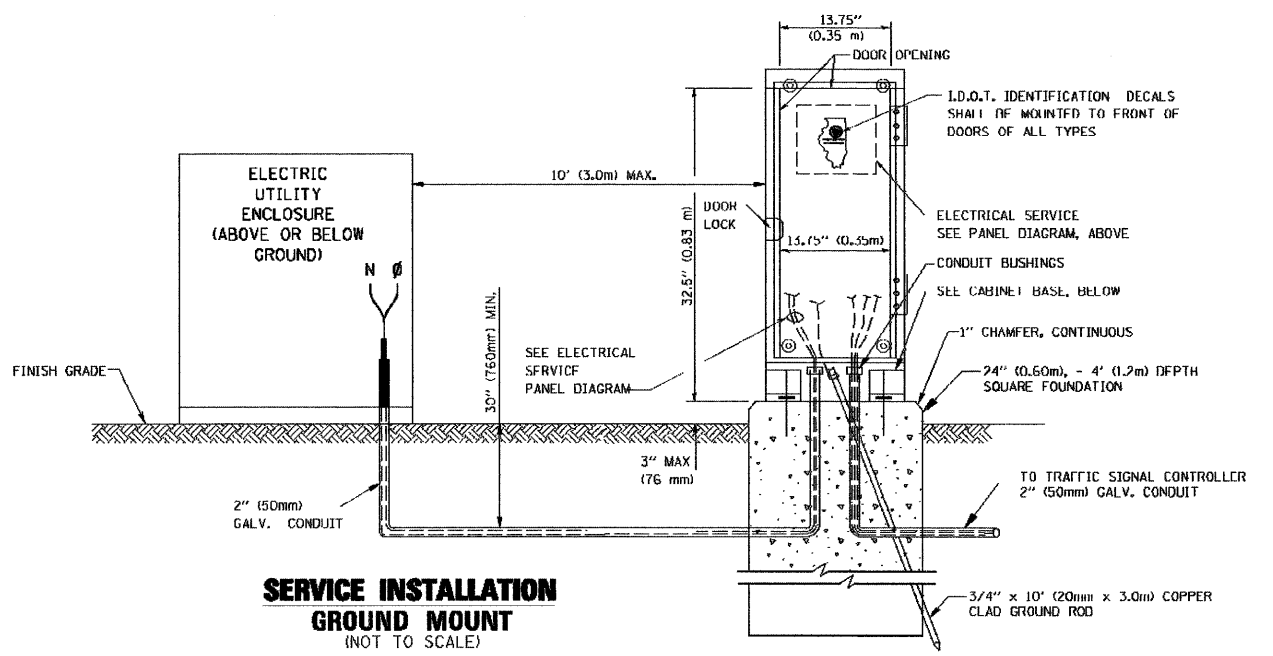


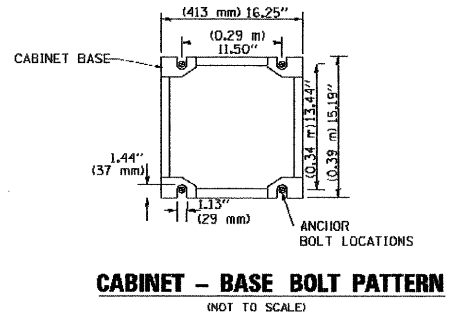
F.A. RTE.	SECTION	COUNTY	TOTAL SHEETS	SHEET NO.
STA.	10 STA.			
FED. ROAD DIST. NO.	ILLINOIS	FED. AID PROJECT		



ELECTRICAL SERVICE - PANEL DIAGRAM (TYPICAL FOR POLE AND GROUND MOUNTED SERVICE)
SERVICE INSTALLATION POLE MOUNT (SHOWN)
 (NOT TO SCALE)

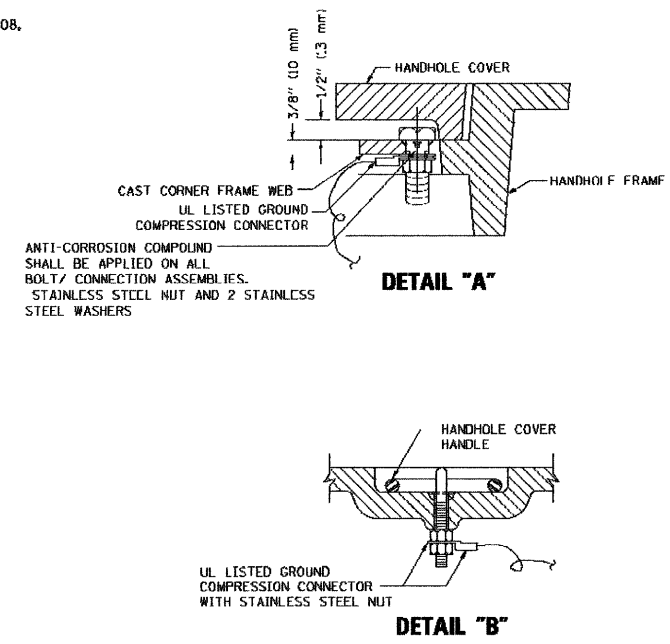


SERVICE INSTALLATION GROUND MOUNT
 (NOT TO SCALE)

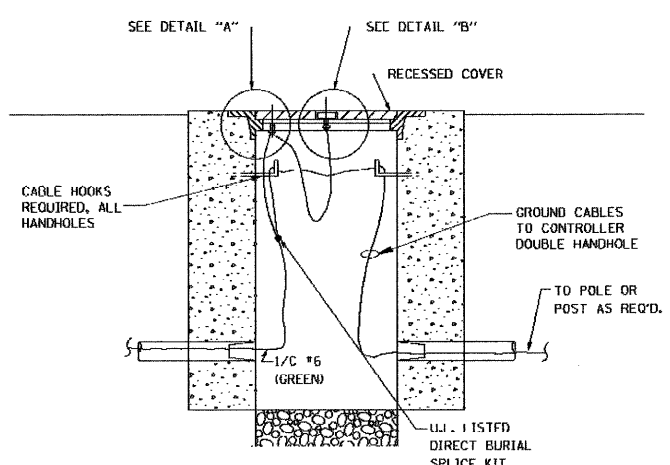


CABINET - BASE BOLT PATTERN
 (NOT TO SCALE)

- NOTES:**
1. ELECTRIC SERVICE PANELS SHALL BE CONSTRUCTED TO U.L. STD 508, INDUSTRIAL CONTROL PANEL, AND CARRY THE U.L. LABEL.
 2. ALL WIRING SHALL BE NEATLY DRESSED AND SUPPORTED.

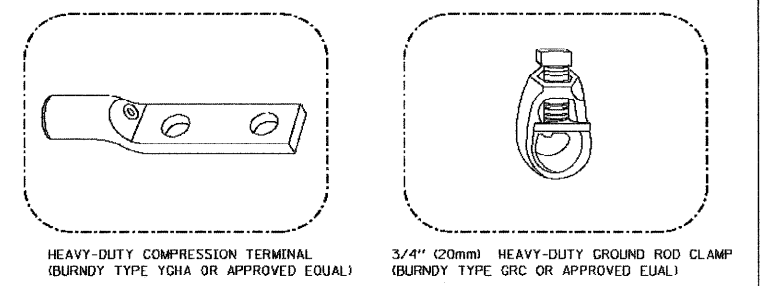


HANDHOLE COVER & FRAME - GROUNDING DETAIL
 (NOT TO SCALE)

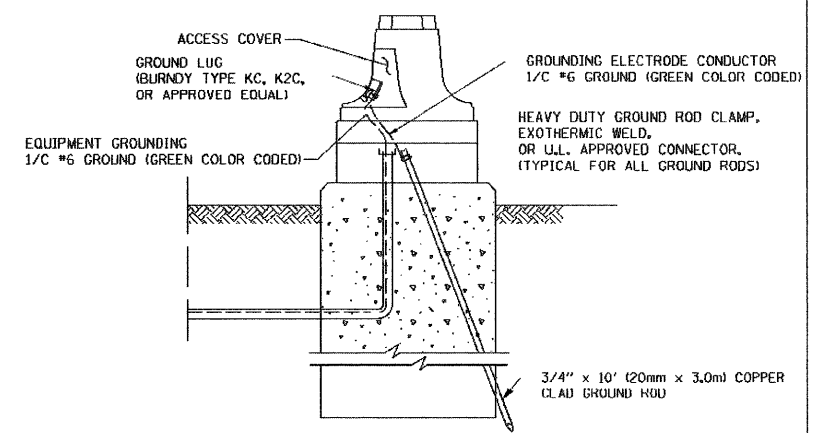


EXISTING HANDHOLE COVER & FRAME - GROUNDING DETAIL
 (NOT TO SCALE)

- NOTES:**
- GROUNDING SYSTEM**
1. THE GROUNDING SYSTEM SHALL CONSIST OF AN INSULATED CONDUCTOR TYPE XLP, NO. 6 A.W.G., STRANDED COPPER TO BE INSTALLED IN RACEWAYS. THE GROUNDING CABLE SHALL BE INSTALLED IN A CONTINUOUS MANNER AS SHOWN ON THE CABLE PLAN PROVIDED. ALL GROUNDING CONDUCTORS SHALL BE BONDED TO METAL ENCLOSURE (HANDHOLE, POST, MAST ARM, CONTROLLER, ETC.). GROUND ROD SHALL BE 3/4" DIA. x 10' 0" (20mm x 3.0m) LONG, COPPER CLAD. ONE GROUND ROD SHALL BE INSTALLED AT ALL POST FOUNDATIONS, POLE FOUNDATIONS, CONTROLLER CABINET FOUNDATION AND ELECTRICAL SERVICE INSTALLATION AS INDICATED ON THE CABLE PLAN. IF THERE ARE ANY SPECIAL CONDITIONS SUCH AS SURFACE CONDITIONS OR INSTALLATION PROBLEMS, THE RESIDENT ENGINEER SHALL BE NOTIFIED OR CONTACT THE BUREAU OF TRAFFIC, ILLINOIS DEPARTMENT OF TRANSPORTATION DISTRICT ONE AT (847) 705-4139.
 2. THE NEUTRAL CONDUCTOR AND THE GROUND CONDUCTOR SHALL BE CONNECTED IN THE SERVICE INSTALLATION. AT NO OTHER POINT IN THE TRAFFIC SIGNAL SYSTEM SHALL THE NEUTRAL AND GROUND CONDUCTORS BE CONNECTED.
 3. ALL EQUIPMENT GROUNDING CONDUCTORS SHALL TERMINATE AT THE GROUND BUS IN THE CONTROLLER CABINET.
 4. THE CONTRACTOR SHALL PROVIDE A GROUND CABLE WITH CONNECTORS BETWEEN THE HANDHOLE COVER AND HANDHOLE FRAME.



- NOTES:**
- ALL CLAMPS SHALL BE BRONZE OR COPPER, UL APPROVED.
 - GROUND CABLE SHALL BE LOOPED OVER HOOKS IN THE HANDHOLES. 6.5' (2.0m) SLACK SHALL BE PROVIDED IN SINGLE HANDHOLES. 13' (4.0m) OF SLACK SHALL BE PROVIDED IN DOUBLE HANDHOLES. 5' (1.4m) OF SLACK SHALL BE PROVIDED BETWEEN FRAME AND COVER.



MAST ARM POLE / POST-GROUNDING DETAIL
 (NOT TO SCALE)

REVISIONS	
NAME	DATE
CADD	5/30/00
CADD	3/15/01
BUREAU OF TRAFFIC	1/01/02

ILLINOIS DEPARTMENT OF TRANSPORTATION
DISTRICT 1
STANDARD TRAFFIC SIGNAL DESIGN DETAILS
 SCALE: VERT. NONE
 HORIZ. NONE
 DATE 10/18/2002
 DRAWN BY: RWP
 DESIGNED BY: OAD
 CHECKED BY: DAZ
 SHEET 3 OF 4

10/18/2002
 P:\2007\ME07080_Ver\Ver-Phi\Cadd\MOI\Bases\Shr\Peotone\TSSCDL\DETAILS.dwg
 1:0000 / IN.
 ENGINEERING
 MODEL

MILLENNIA ENGINEERING
 200 22ND Street, Suite 216, Lombard, IL 60148
 630.705.0110 voice, 630.839.2566 fax
 www.millenniaeng.com

DESIGNED - TVN	REVISED -
DRAWN - TVN	REVISED -
CHECKED - RPD	REVISED -
DATE - 01/14/09	REVISED -

STATE OF ILLINOIS
DEPARTMENT OF TRANSPORTATION

FAI 57/I-57
AT N. PEOTONE/JOLIET RD
 SCALE: SHEET NO. OF SHEETS STA. TO STA.

DISTRICT ONE STANDARD DETAILS
TS-5C

F.A. RTE.	SECTION	COUNTY	TOTAL SHEETS	SHEET NO.
57	99-2H-1-1-2	WILL	34	15
FED. ROAD DIST. NO. 1 ILLINOIS				FED. AID PROJECT
CONTRACT NO. 60D65				

P:\2007\ME07080_Ver\Ver-Phi\Cadd\MOI\Bases\Shr\Peotone\TSSCDL\DETAILS.dwg