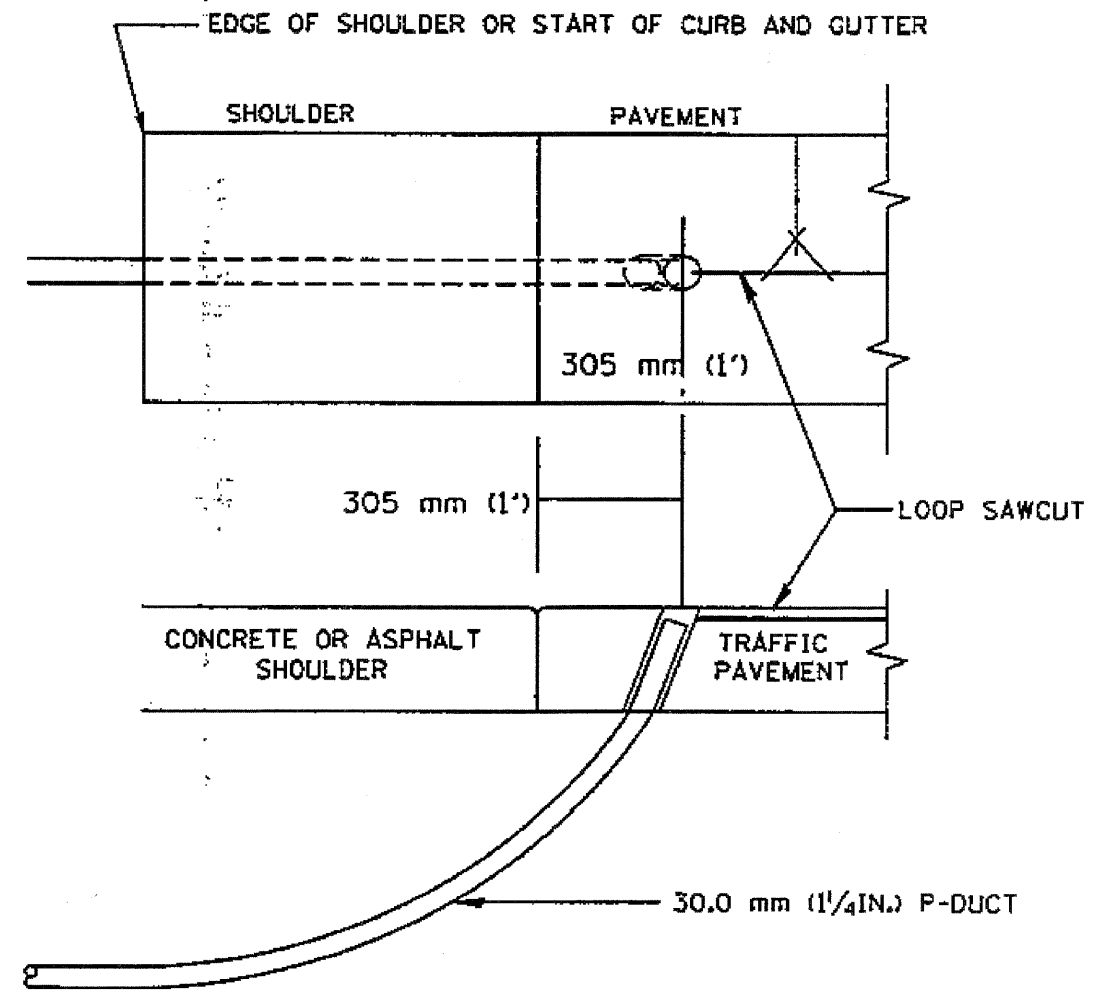
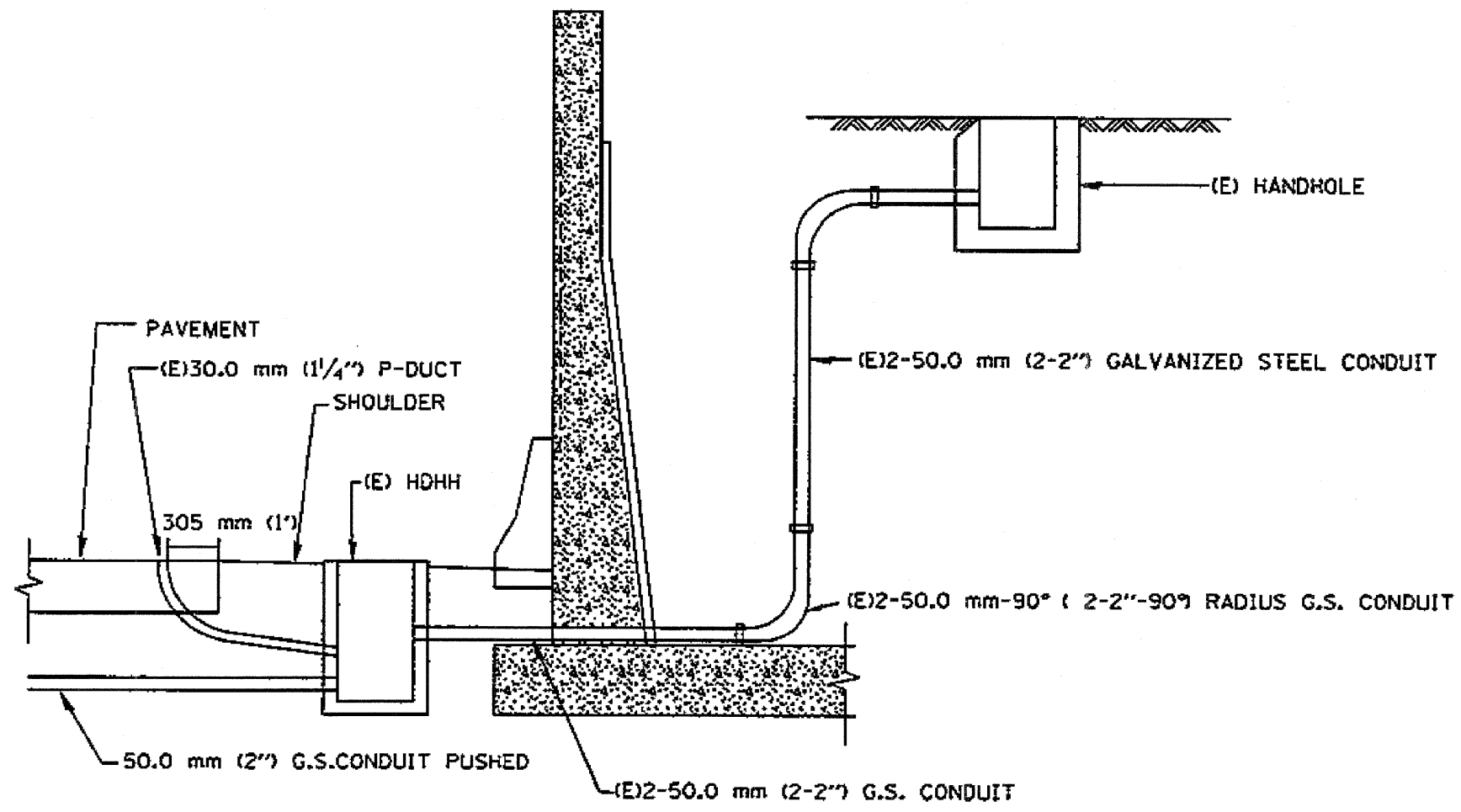


F.P. DIST.	SECTION	COUNTY	TOTAL SHEETS	SHEET NO.
94		COOK	133	133
STA. TO STA.		ILLINOIS FED. AID PROJECT		

• 10405,ETC,42-7&0707IRS-11



SHOULDER LOOP LEAD-IN
TRANSITION DETAIL

NO: TYPMET 2004
 P: D:\60021-133-DISTRICT DETAILS.dgn

Y14185

REVISIONS	
NAME	DATE
R.L.	8/94
T.C.	11/95
R.L.	06/96
T.C.	10/96

ILLINOIS DEPARTMENT OF TRANSPORTATION
 TRAFFIC SYSTEMS CENTER
**TYPICAL INDUCTION LOOP LEAD-IN
 TRANSITION DIAGRAMS**

SCALE: VERT. NONE
 HORIZ. DATE 8-22-94
 DRAWN BY: G.M.
 CHECKED BY: R.L.