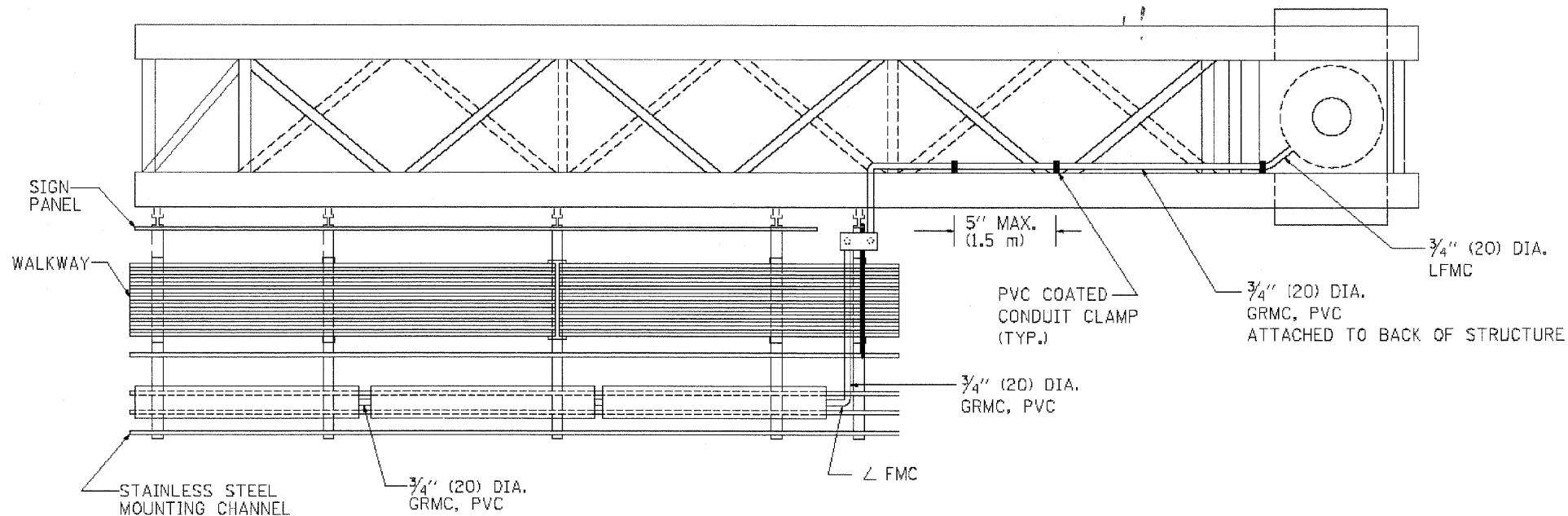
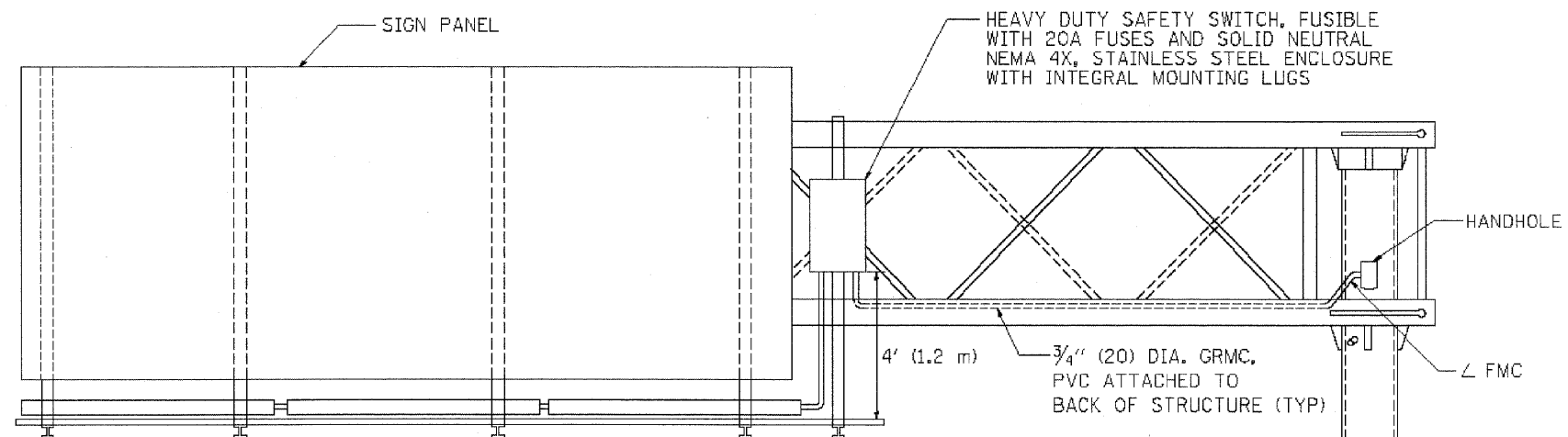
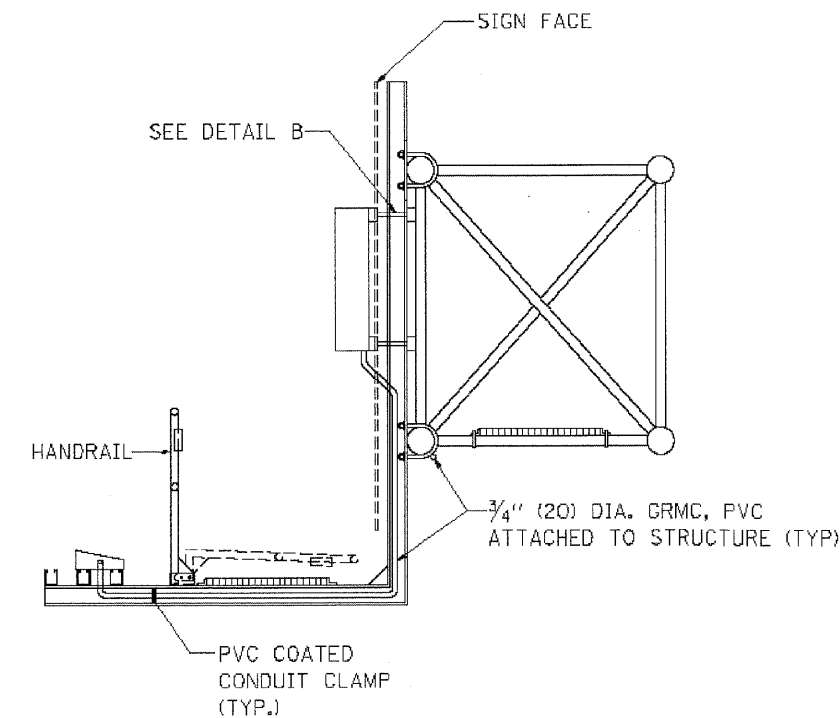


CONTRACT NO. 60021				
F.A. RTE.	SECTION	COUNTY	TOTAL SHEETS	SHEET NO.
94		COOK	133	113
STA.		TO STA.		
FED. ROAD DIST. NO.	ILLINOIS	FED. AID PROJECT		

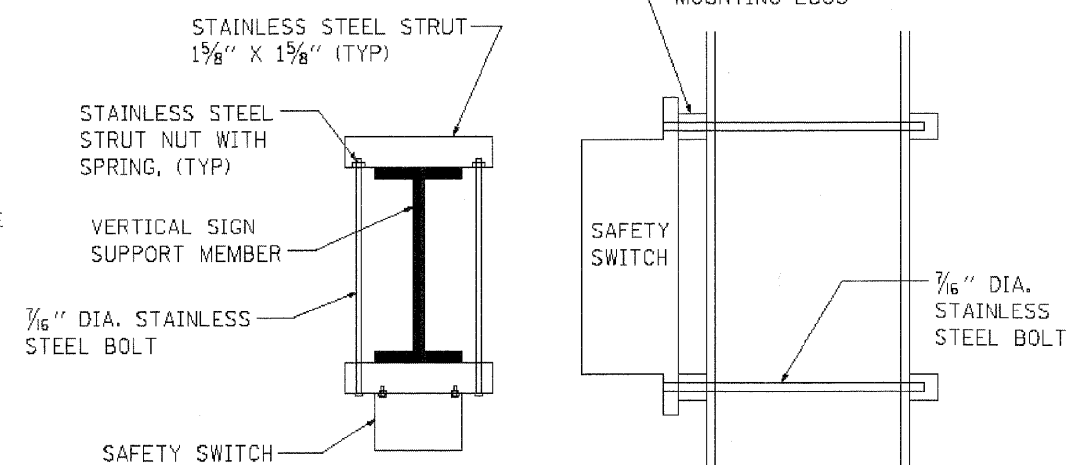
• (0405,ETC,42-7&D707RS-11



TOP VIEW



ELEVATION VIEW



TOP VIEW

SIDE VIEW

DETAIL B

FOR INFORMATION ONLY

REVISIONS	
NAME	DATE
	08/19/04

ILLINOIS DEPARTMENT OF TRANSPORTATION

ELECTRIC CONNECTION TO SIGN STRUCTURE CANTILEVER TYPE 2 OF 2

SCALE: VERT. NONE
HORIZ.

DRAWN BY
CHECKED BY
BE-601

PLOT DATE = 8/19/04
 PLOT NAME = D:\projects\60021\60021.dgn
 PLOT SCALE = 1/8" = 1'-0"
 USER NAME = bbarrett
 D:\60021-113-DISTRICT DETAILS.dgn