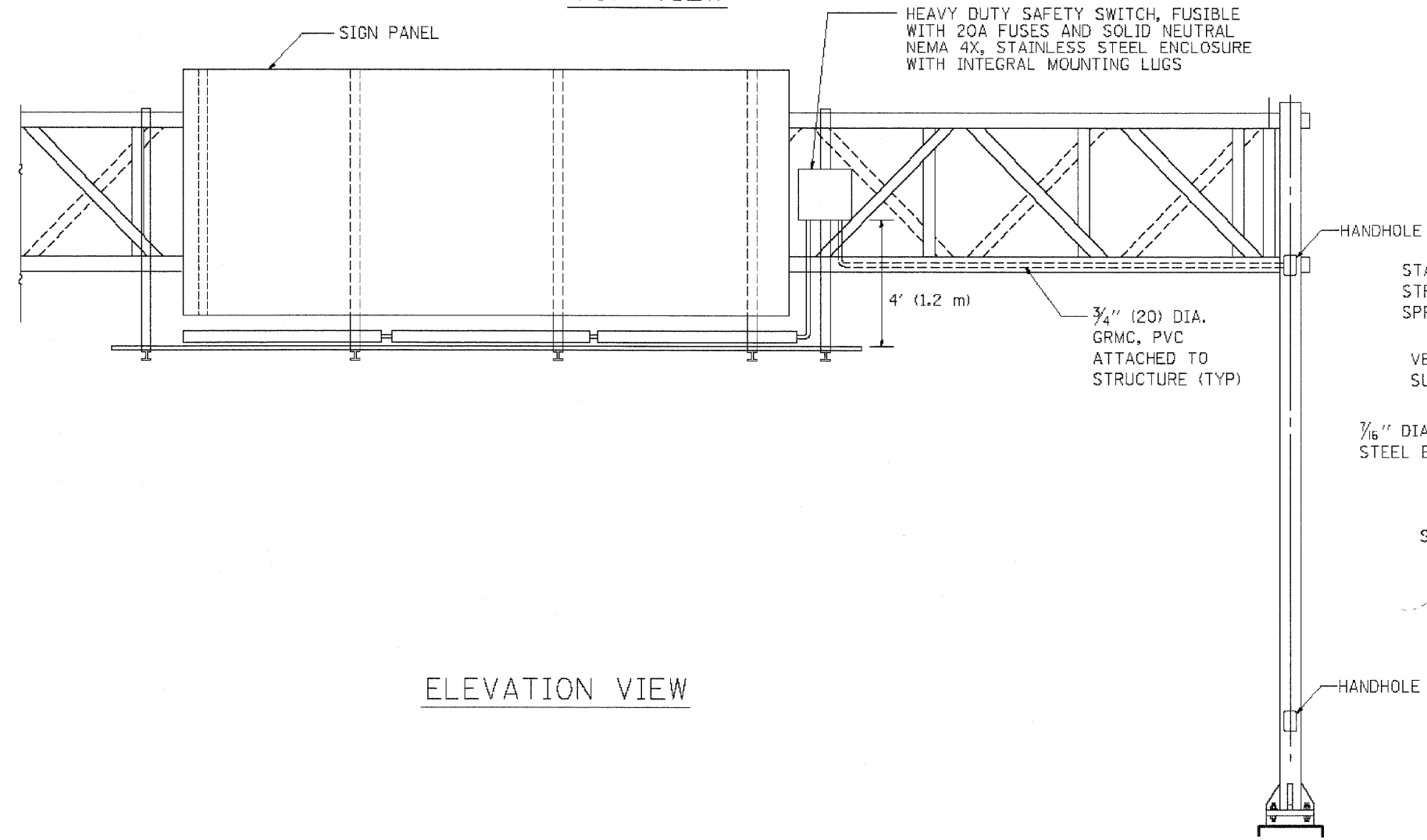
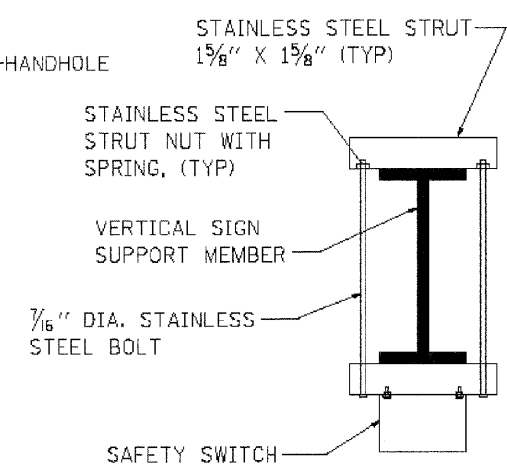
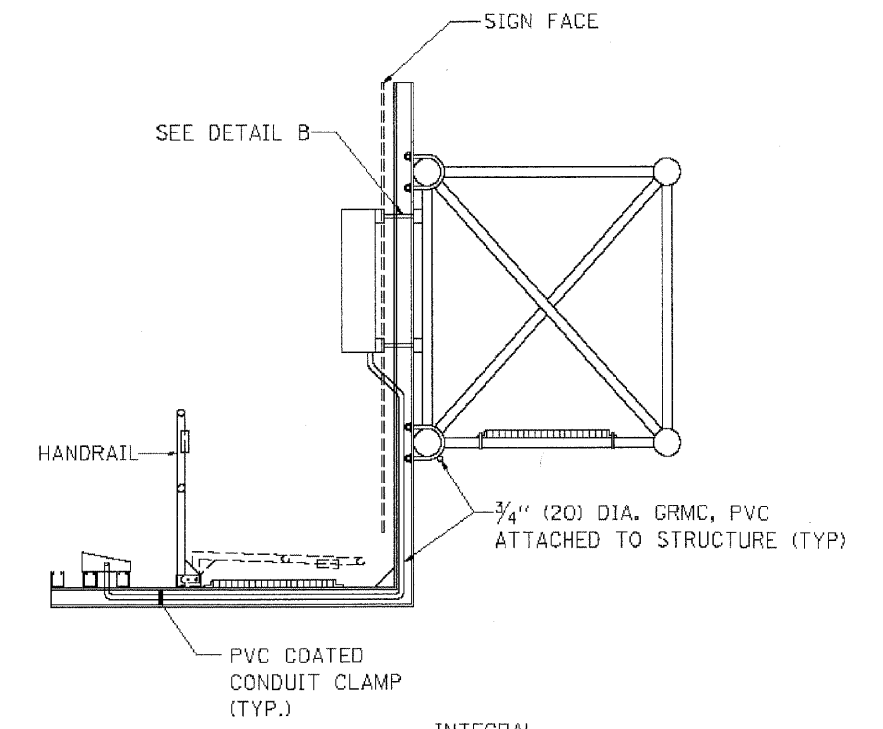


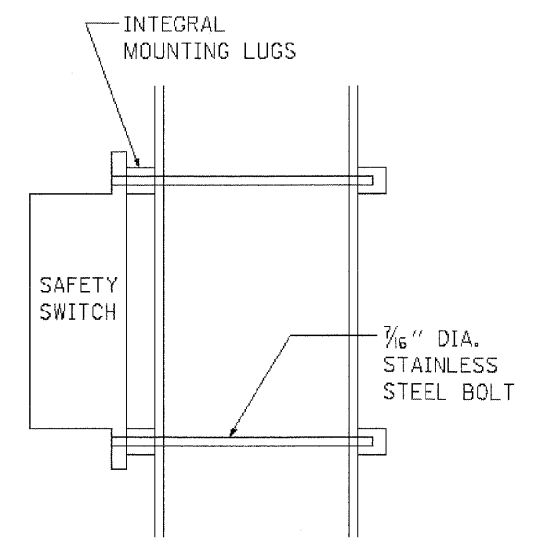
TOP VIEW



ELEVATION VIEW



TOP VIEW



SIDE VIEW

DETAIL B FOR INFORMATION ONLY

REVISIONS	
NAME	DATE
	08/19/04

ILLINOIS DEPARTMENT OF TRANSPORTATION
 ELECTRIC CONNECTION TO SIGN STRUCTURE
 SPAN TYPE
 2 OF 2
 SCALE: VERT. NONE
 HORIZ.
 DRAWN BY
 CHECKED BY
 BE-600

PLOT DATE: 4/18/2007
 FILE NAME: K:\district\60D21.dgn
 PLOT SCALE: 1/8" = 1'-0"
 USER NAME: j...
 D:\60D21-111-DISTRICT DETAIL.S.dgn