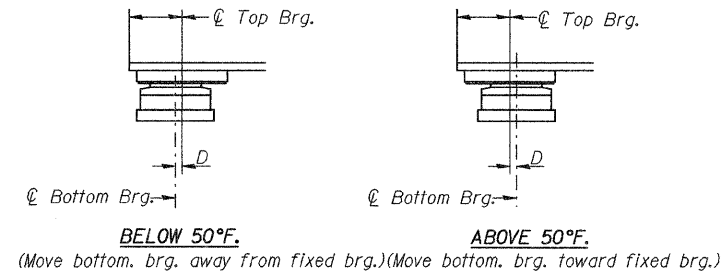
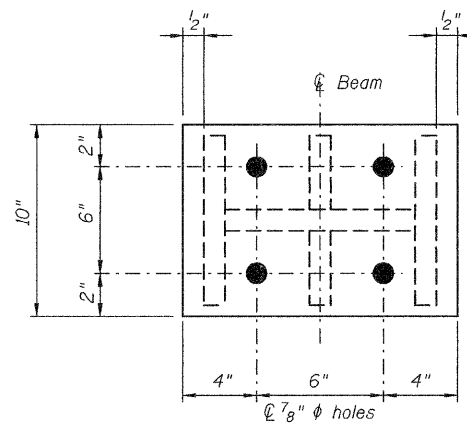
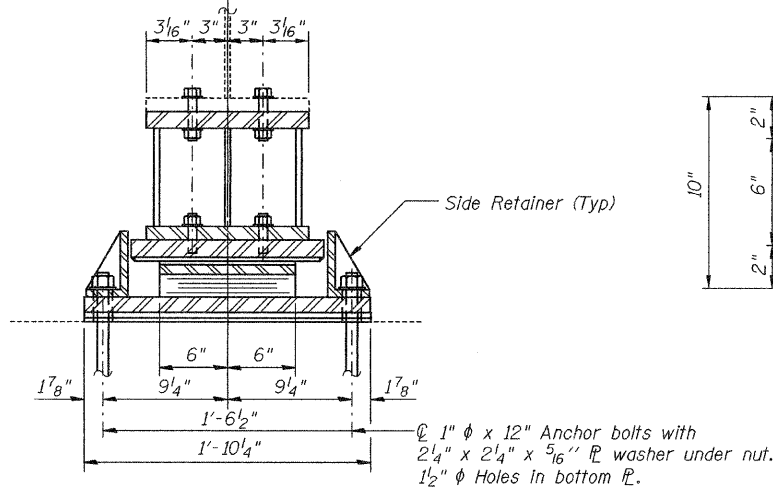
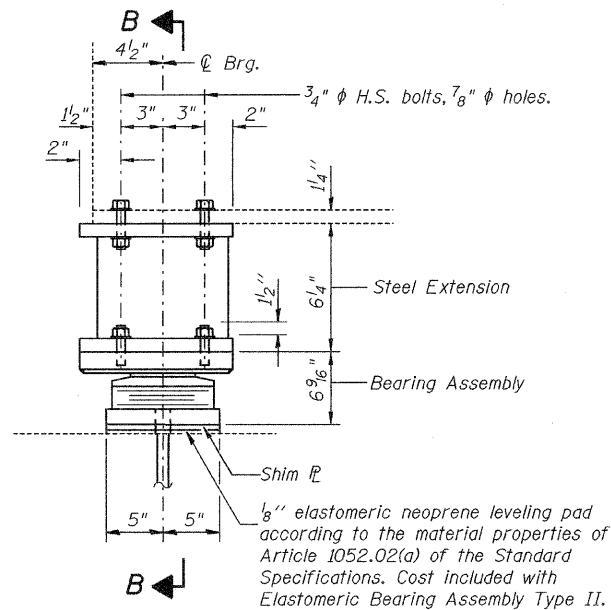


STATE OF ILLINOIS  
DEPARTMENT OF TRANSPORTATION

GIRDER REACTIONS

R $\bar{D}$	(k)	25.0
R $\bar{L}$	(k)	36.4
IMP	(k)	9.4
R (TOTAL)	(k)	70.8



SETTING ANCHOR BOLTS AT EXP. BRG.

D=1/8" per each 100' of expansion for every 15° temp. change from the normal temp. of 50°F.

Note:  
Prior to ordering any material, the Contractor shall verify in the field all bearing height and shim thickness dimensions.

Notes:

Anchor bolts shall be ASTM F1554 all-thread (or an Engineer-approved alternate material) of the grade(s) and diameter(s) specified. ASTM A307 Grade C anchor bolts may be used in lieu of ASTM F1554 Grade 36 (Fy=36ksi). The corresponding specified grade of AASHTO M314 anchor bolts may be used in lieu of ASTM F1554.

Anchor bolts at fixed bearings may be either cast in place or installed in holes drilled after the supported member is in place.

Anchor bolts for Type II bearings shall be placed in holes drilled in the concrete through holes in the bottom bearing plate after members are in place. Side retainers shall be placed after bolts are installed.

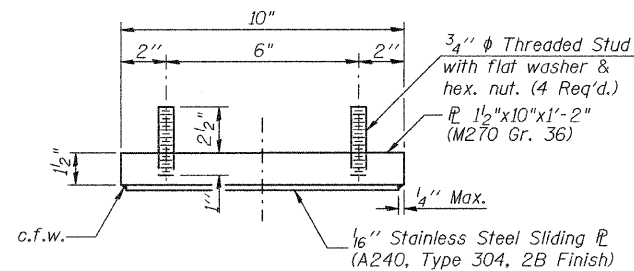
Drilled and set anchor bolts shall be installed according to Article 521.06 of the Standard Specifications.

Side retainers and other steel members required for the bearing assembly shall be included in the cost of Elastomeric Bearing Assembly, Type II.

The 1/8" PTFE sheet shall be bonded directly to the top steel plate with a two-component, medium viscosity epoxy resin, conforming to the requirements of the Federal Specification MMM-A-134, Type I. The bond agent shall be applied on the full area of the contact surfaces.

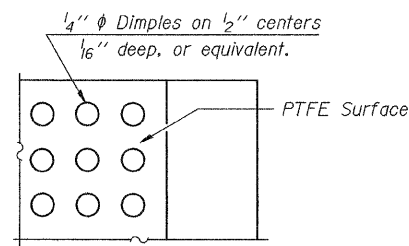
Bonding of 1/8" PTFE sheet during vulcanizing process will be permitted provided the process and method of adjusting assembly height is approved by the Engineer.

ELEVATION AT ABUTMENTS

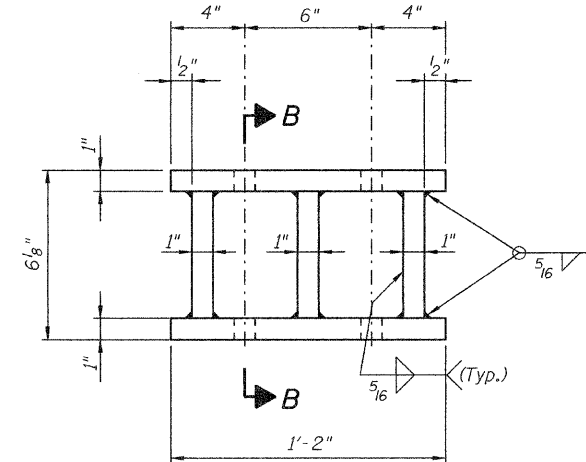


TOP BEARING ASSEMBLY

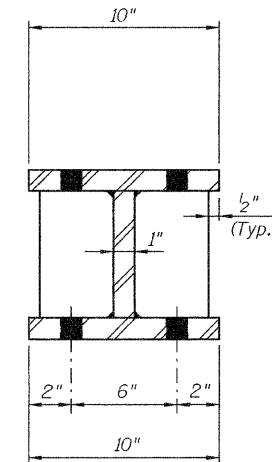
SECTION A-A



PLAN-PTFE SURFACE



ELEVATION STEEL EXTENSION

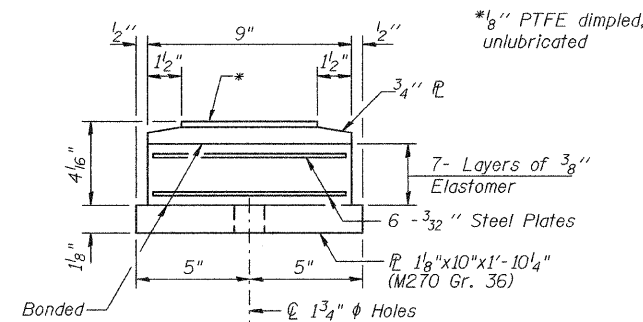


SECTION B-B

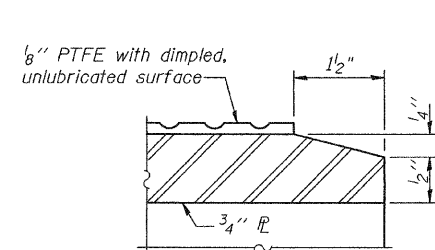
FABRICATED STEEL EXTENSION

BILL OF MATERIAL

Item	Unit	Total
Elastomeric Bearing Assembly Type II	Each	36
Anchor Bolts, 1" $\phi$	Each	72
Furnishing and Erecting Structural Steel	lbs	5210

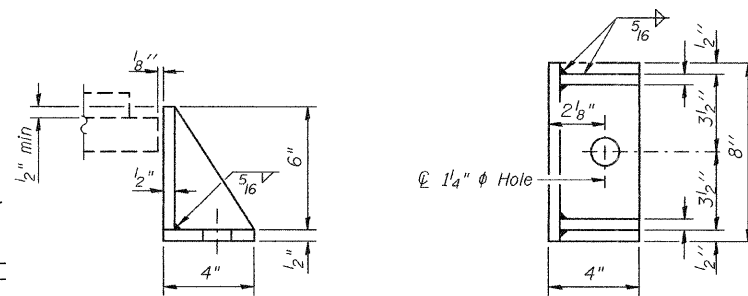


BOTTOM BEARING ASSEMBLY



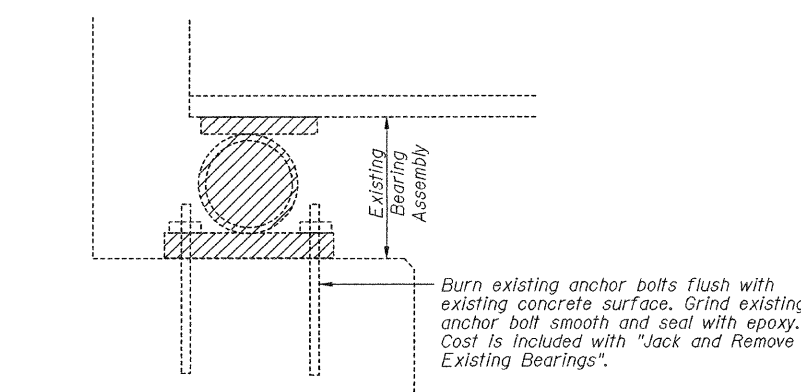
SECTION THRU PTFE

TYPE II ELASTOMERIC EXPANSION BEARING



SIDE RETAINER

Equivalent rolled angle with stiffeners will be allowed in lieu of welded plates.



EXISTING BEARING REMOVAL DETAIL

(N. Abut, S. Abut)

ELASTOMERIC BEARING ASSEMBLY, TYPE II  
BISHOP FORD EXPRESSWAY (I-94)  
GREENWOOD AVENUE  
COOK COUNTY  
STATION  
STRUCTURE NUMBER 016-0162

DESIGNED -	
CHECKED -	
DRAWN -	R KING
CHECKED -	

HOMER L. CHASTAIN & ASSOCIATES, LLP  
CONSULTING ENGINEERS  
DECATUR (217) 422-8544  
CHICAGO (773) 714-0050  
ROCKFORD (815) 489-0050  
184-001397

SHEET NO. 12	F.A.I. RTE.	SECTION	COUNTY	TOTAL SHEETS	SHEET NO.
OF 17 SHEETS	94	(0405,ETC,42-7&0707)RS-11	COOK	133	81
		BISHOP FORD EXPRESSWAY (I-94)		CONTRACT NO. 60D21	
		FED. ROAD DIST. NO. - ILLINOIS		FED. AID PROJECT	