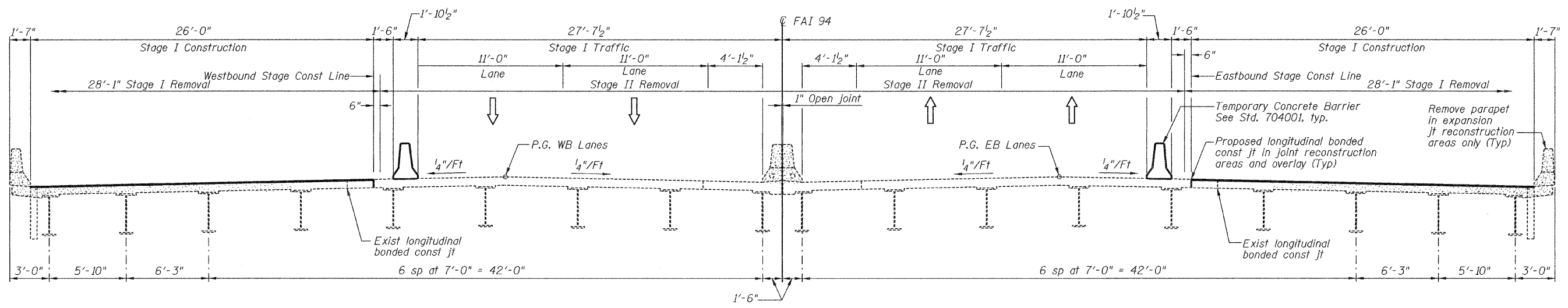


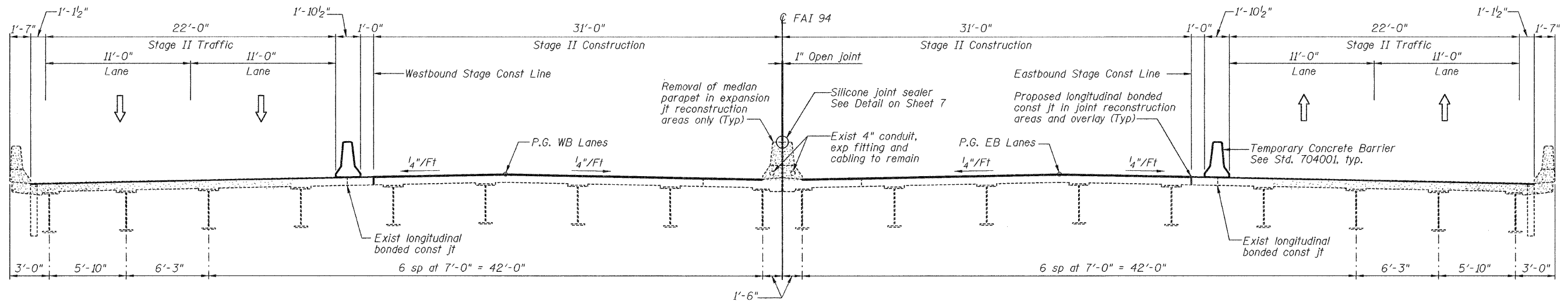
STATE OF ILLINOIS  
DEPARTMENT OF TRANSPORTATION



**WESTBOUND STRUCTURE**

**STAGE I**  
(Looking South)

**EASTBOUND STRUCTURE**



**STAGE II**  
(Looking South)

**NOTES**

For joint removal limits see Sheets 5 thru 8  
The Contractor shall exercise extreme care with the existing conduits in sections of the parapet to be removed and to protect and support the conduit. The Contractor will be required to repair any damage done to the conduit to the satisfaction of the Engineer. No splicing will be allowed to any cable damage resulting from this work, instead the Contractor will be required to repair the entire span of any damaged cable.

**CONSTRUCTION STAGING DETAILS**  
**BISHOP FORD EXPRESSWAY (I-94)**  
**GREENWOOD AVENUE**  
**COOK COUNTY**  
**STATION**  
**STRUCTURE NUMBER 016-0162**

DESIGNED -	
CHECKED -	
DRAWN -	R KING
CHECKED -	

**HOMER L. CHASTAIN & ASSOCIATES, LLP**  
CONSULTING ENGINEERS  
DECATUR (217) 422-8544  
CHICAGO (773) 714-0050  
ROCKFORD (815) 489-0050  
184-001397

SHEET NO. 4 OF 17 SHEETS	F.A.I. RTE.	SECTION	COUNTY	TOTAL SHEETS	SHEET NO.
	94	(0405,ETC,42-7&0707)RS-11	COOK	133	73
BISHOP FORD EXPRESSWAY (I-94)			CONTRACT NO. 60D21		
FED. ROAD DIST. NO. - ILLINOIS FED. AID PROJECT					