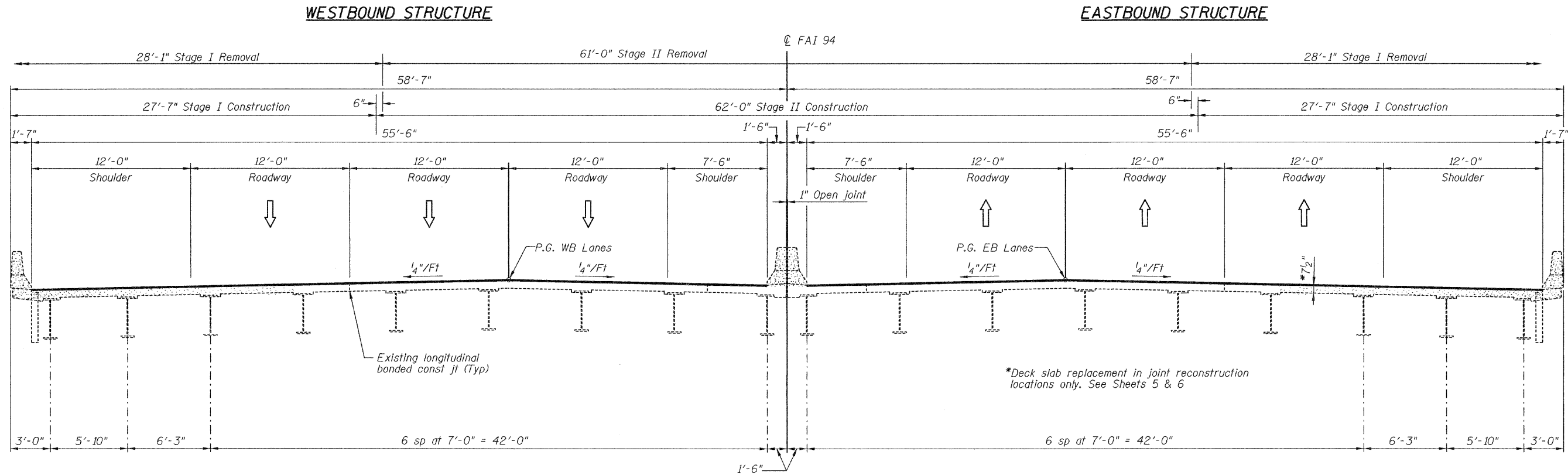


STATE OF ILLINOIS  
DEPARTMENT OF TRANSPORTATION



**TYPICAL CROSS SECTION THRU BRIDGE**  
(Looking South)

**NOTES**

For joint removal limits see Sheets 5 thru 8

**TYPICAL SECTION THRU BRIDGE**  
**BISHOP FORD EXPRESSWAY (I-94)**  
**GREENWOOD AVENUE**  
**COOK COUNTY**  
**STATION**  
**STRUCTURE NUMBER 016-0162**

DESIGNED -	
CHECKED -	
DRAWN -	R KING
CHECKED -	

**HOMER L. CHASTAIN & ASSOCIATES, LLP**  
CONSULTING ENGINEERS  
DECATUR (217) 422-8544  
CHICAGO (773) 714-0050  
ROCKFORD (815) 489-0050  
184-001397

SHEET NO. 3 OF 17 SHEETS	F.A.I. RTE.	SECTION	COUNTY	TOTAL SHEETS	SHEET NO.
	94	(0405,ETC,42-7&0707)RS-11	COOK	133	72
BISHOP FORD EXPRESSWAY (I-94)			CONTRACT NO. 60D21		
FED. ROAD DIST. NO. - ILLINOIS FED. AID PROJECT					