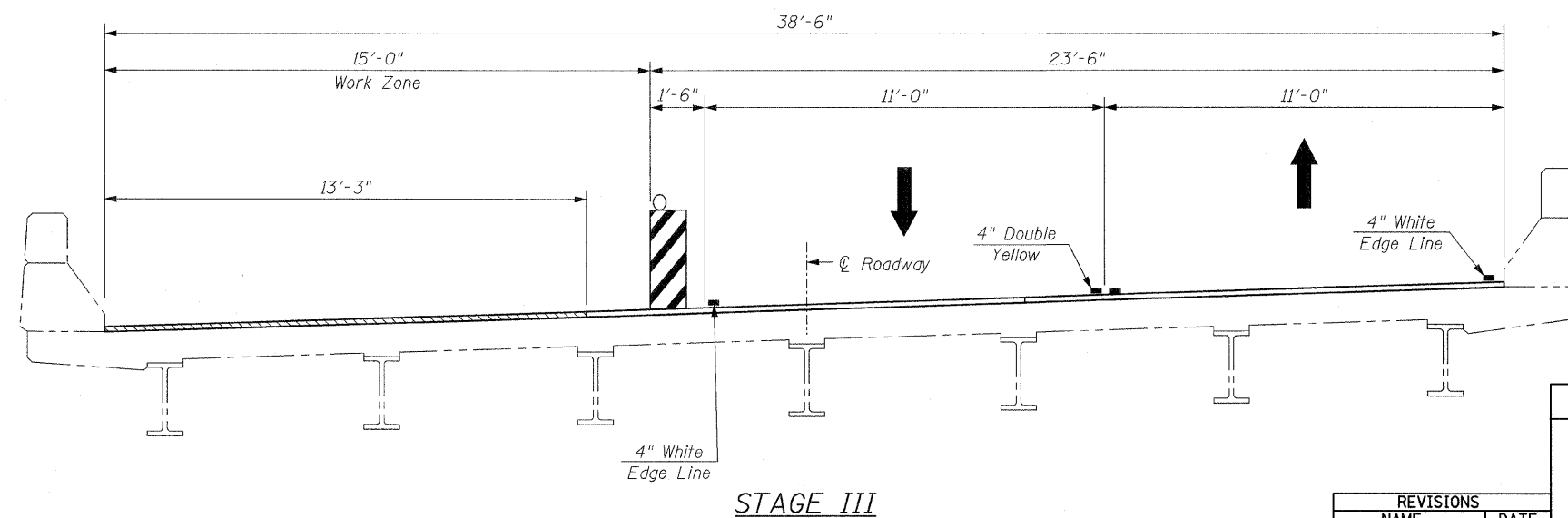
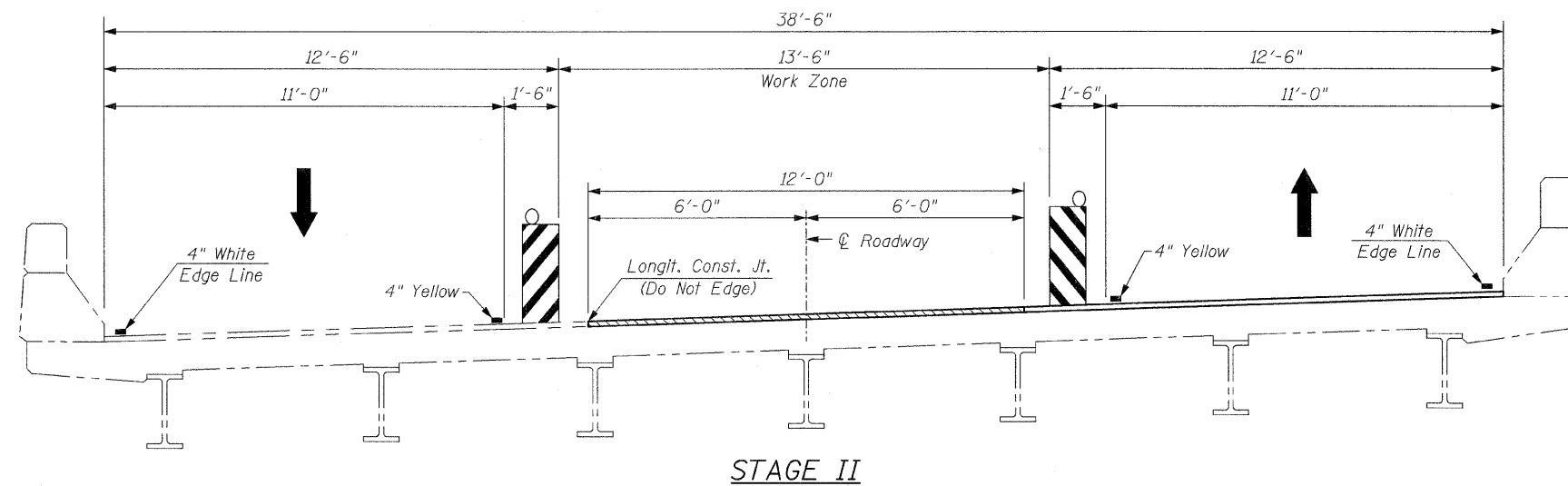
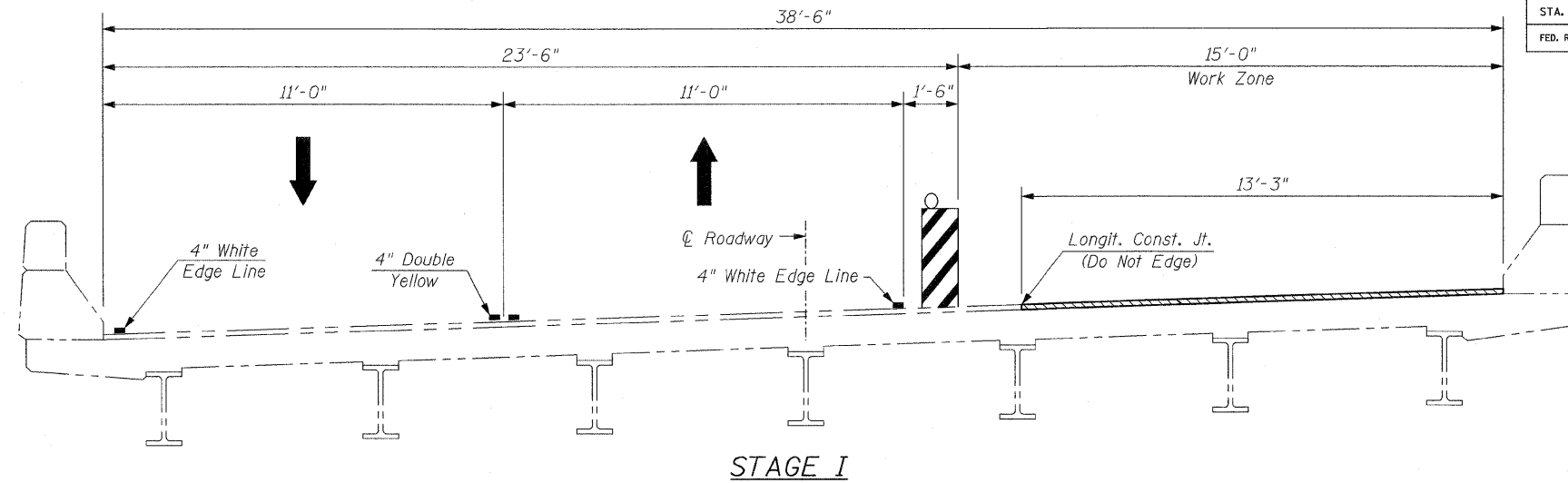


F.A.P. RTE.	SECTION	COUNTY	TOTAL SHEETS	SHEET NO.
607	13 B-1-1	WILL	16	5
STA.	TO STA.			
FED. ROAD DIST. NO.	ILLINOIS	FED. AID PROJECT		

CONTRACT NO. 60C89



NOTE: ALL PAVEMENT MARKINGS ARE WET REFLECTIVE TEMPORARY MARKINGS, TYPE I.

REVISIONS	
NAME	DATE

ILLINOIS DEPARTMENT OF TRANSPORTATION

**CONSTRUCTION STAGING
TYPICAL SECTIONS
U.S. RTE. 30**

SCALE: NONE
DATE: JANUARY 08, 2009
DRAWN BY: D.L./F.M.
CHECKED BY: B.N.S./S.J.P.

CHRISTIAN-ROGE & ASSOC., INC.
CHICAGO ILLINOIS