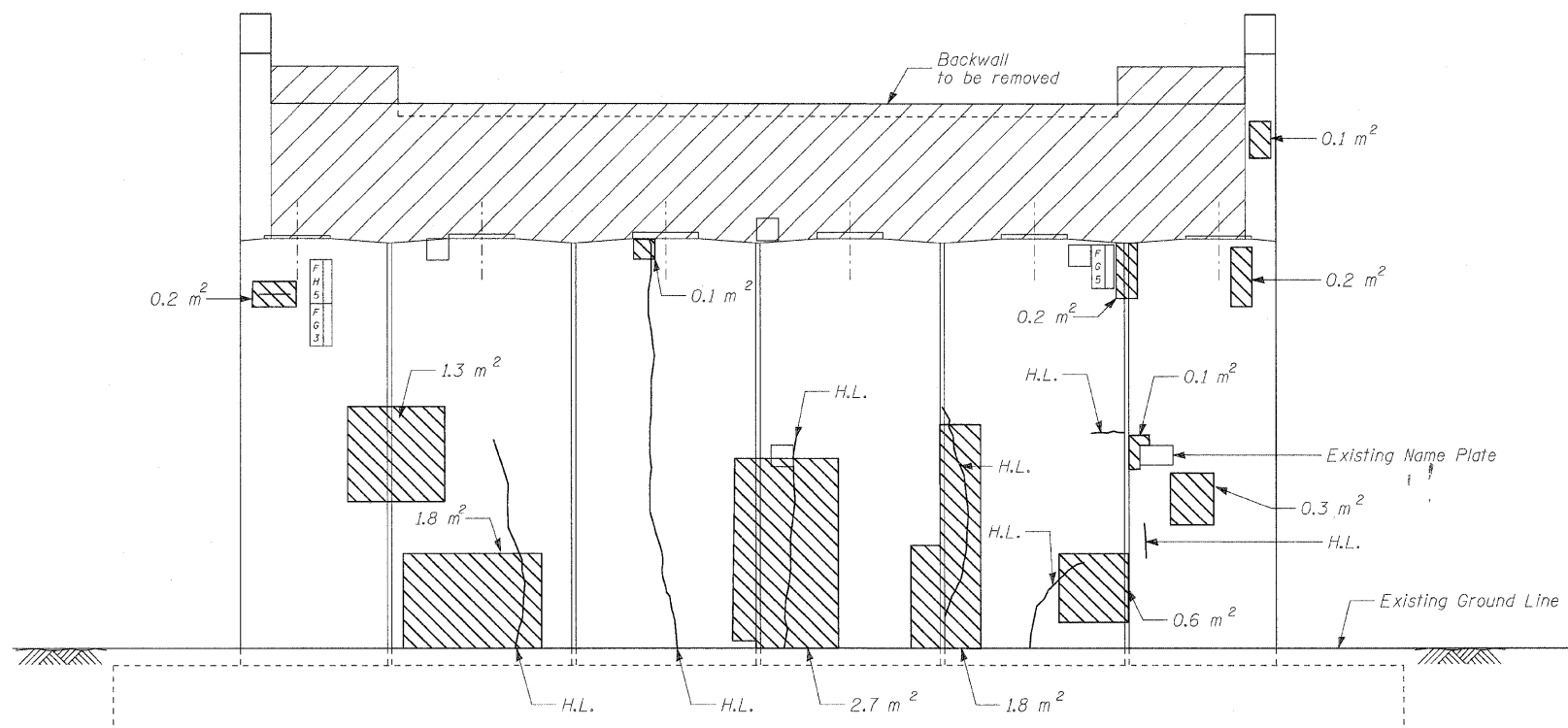
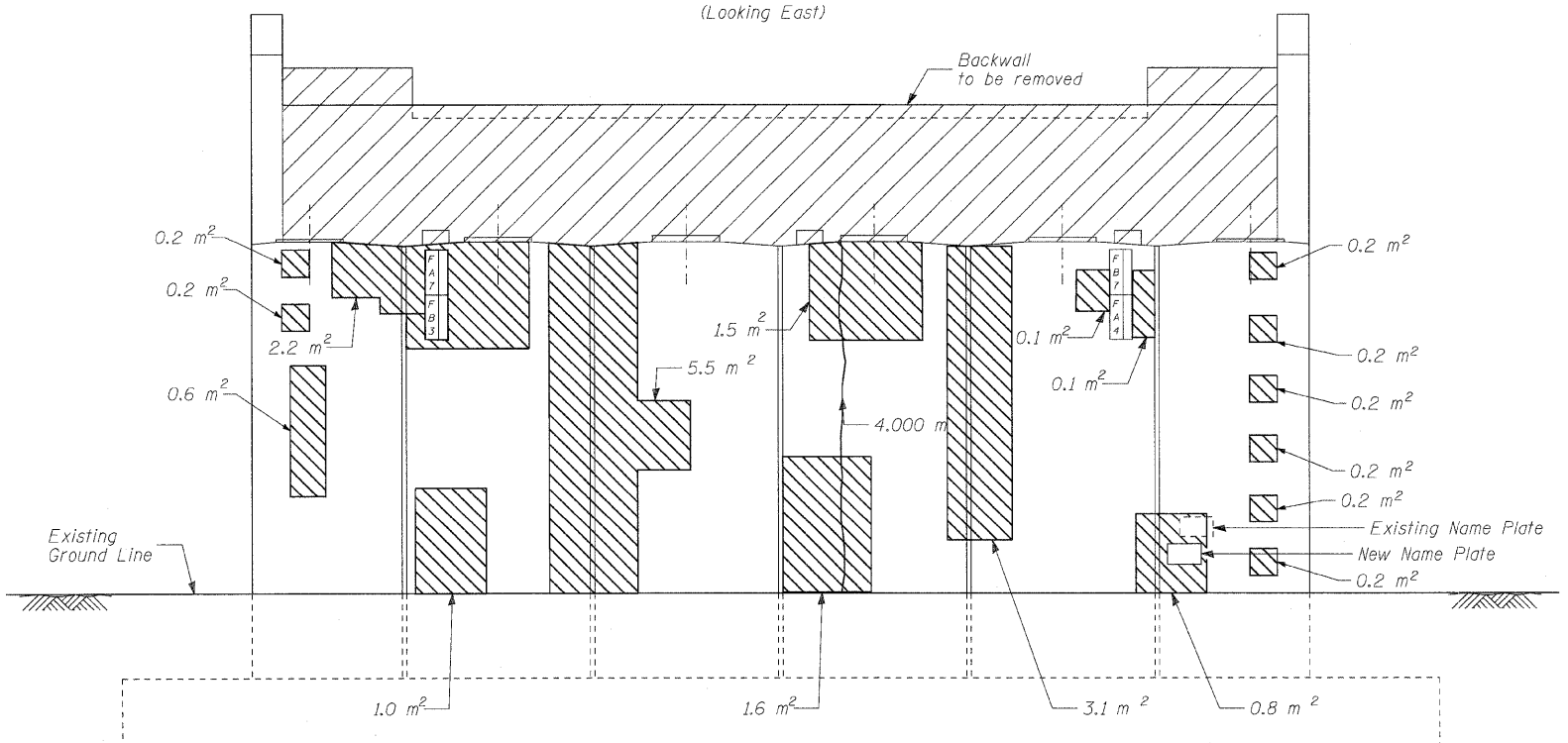


STATE OF ILLINOIS
DEPARTMENT OF TRANSPORTATION

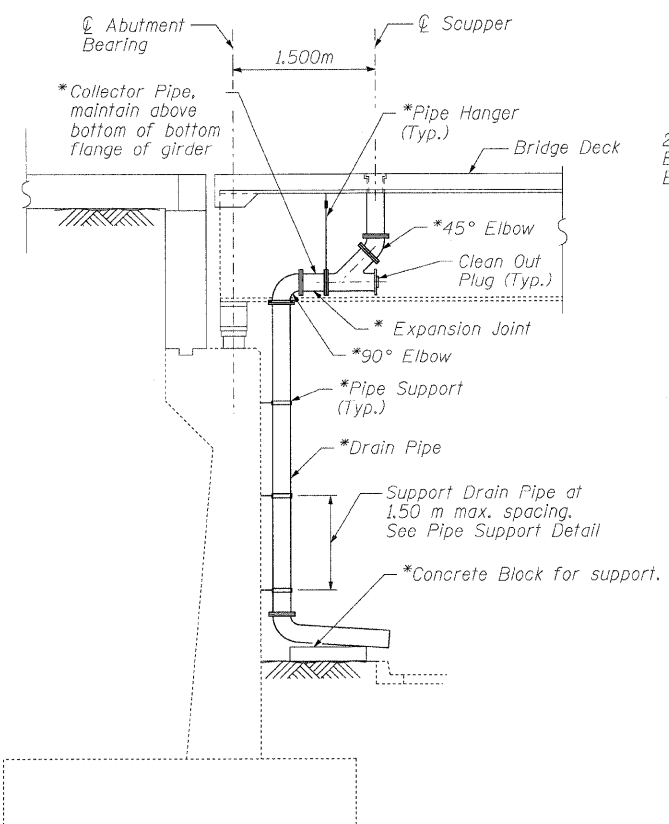


EAST ABUTMENT
(Looking East)

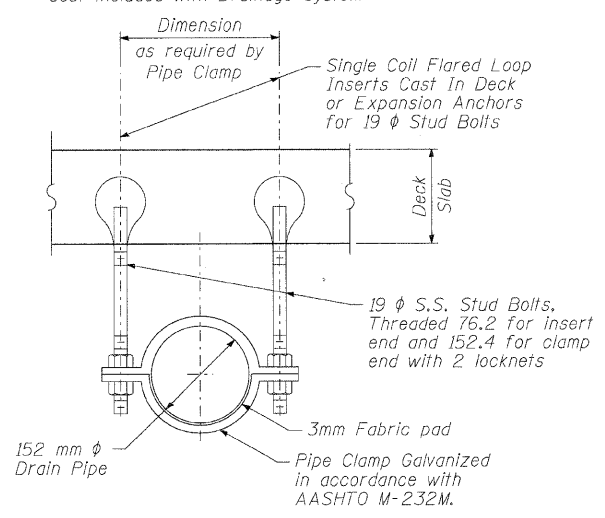


WEST ABUTMENT
(Looking West)

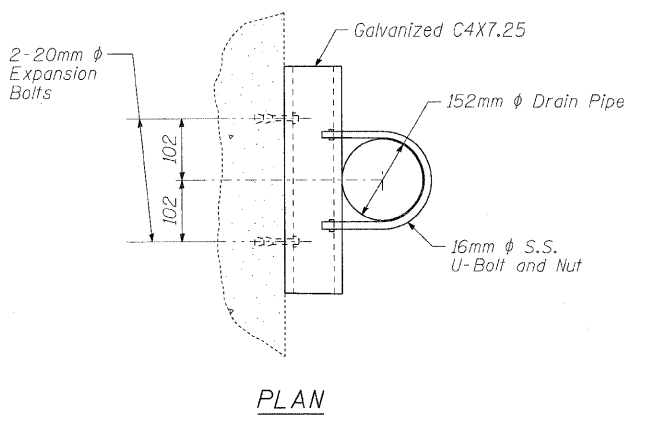
Note:
Crack widths are 3 mm ± 1 mm unless otherwise noted.
H.L. denotes Hairline Crack - Not to be sealed



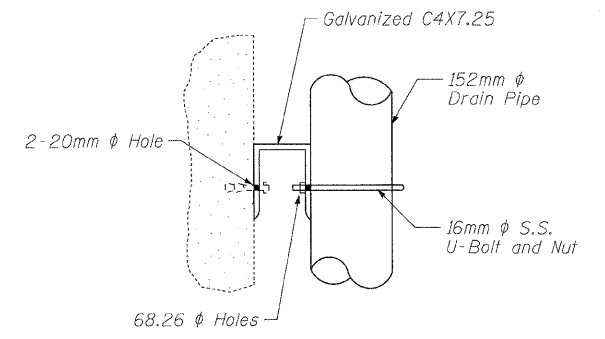
DRAIN PIPE DETAIL
(Typical 4 locations)
* Cost Included with Drainage System



PIPE HANGER DETAILS



PLAN



ELEVATION

PIPE SUPPORT DETAIL

NOTES:

- Repairs shall include but not be limited to the areas shown. The actual areas to be determined by the Engineer at the time of construction.
- Removal and attachment of plates embedded in Abutment stem is included with Structural Repair of Concrete.
- Repairs indicated on plans are based on in-depth inspection performed on April 2002. Total quantity reported in Bill of material has been increased by 15% from the original to take into account deterioration that may have occurred after inspection.

BILL OF MATERIAL

ITEM	UNIT	TOTAL
Structural Repair of Concrete (Depth equal to or less than 125 mm)	Sq. m	31.6
Epoxy Crack Injection	Meter	4.0
Drainage System	L. Sum	1
Name Plates	Each	1

ABUTMENT REPAIRS
STRUCTURE NO. 016-2034

LEGEND

Structural Repair of Concrete (Depth ≤ 125 mm)



Crack Length

1590

Exposed Reinforcement



DESIGNED -	EKM
CHECKED -	SCD
DRAWN -	RD
CHECKED -	EKM

Giorba Group, Inc.
CONSULTING ENGINEERS
5507 North Cumberland Avenue, Suite 402 Chicago, Illinois 60656
Tel. 773.775.4009 Fax 773.775.4014 Email chicago@giorba.com

SHEET NO. S-21	F.A.I. RTE.	SECTION	COUNTY	TOTAL SHEETS	SHEET NO.
S-26 SHEETS	57	1818.3B-R	COOK	58	45
FED. ROAD DIST. NO.			ILLINOIS FED. AID PROJECT		
CONTRACT NO. 60862					

1/16/2009 rdmtlbg