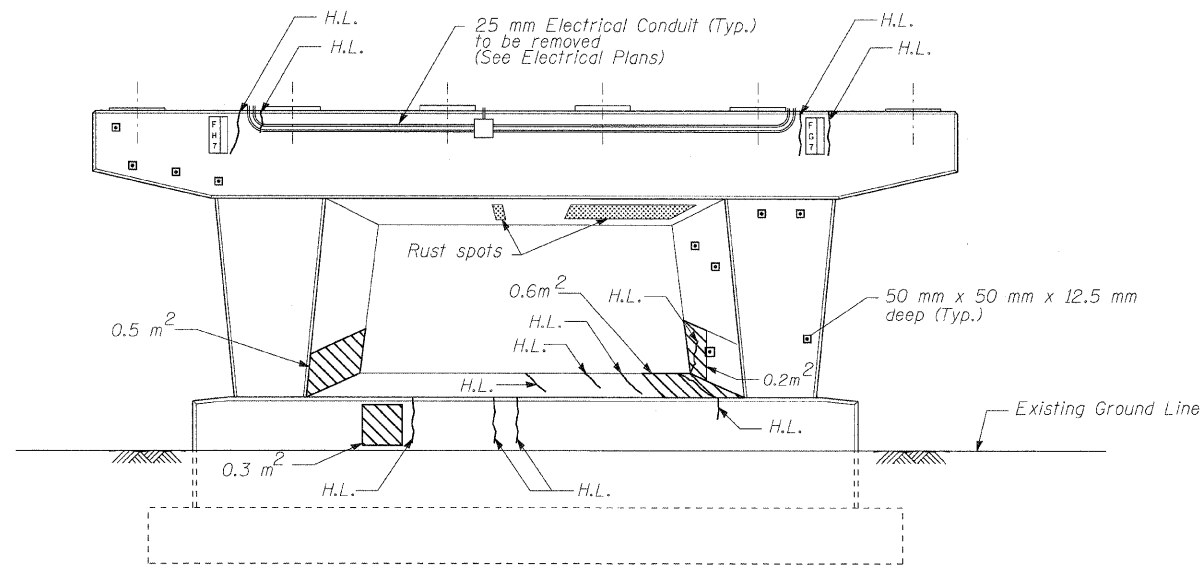
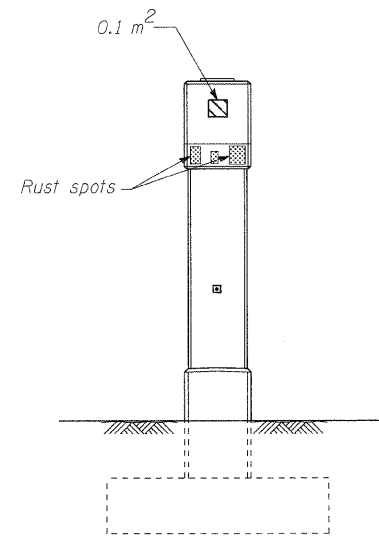


STATE OF ILLINOIS
DEPARTMENT OF TRANSPORTATION



WEST ELEVATION
(Looking East)



END VIEW
(Looking North)

BILL OF MATERIAL

Item	Unit	Total
Structural Repair of Concrete (Depth equal to or less than 125 mm)	Sq. m	4.6

LEGEND

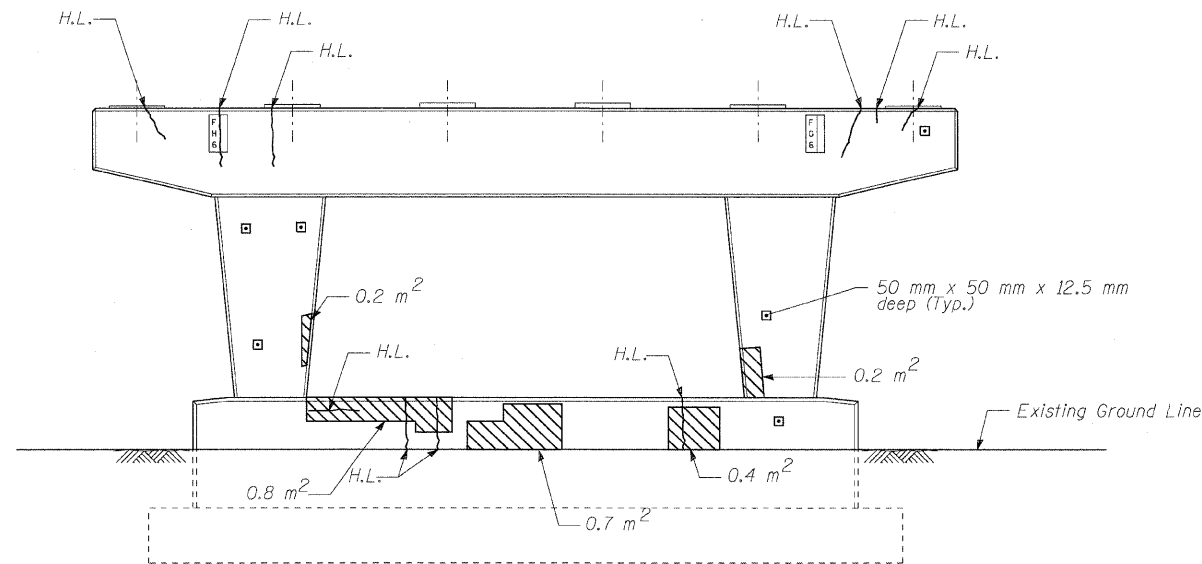
- Structural Repair of Concrete (Depth \leq 125 mm)
- Crack Length
- Exposed Reinforcement

Note:
Crack widths are 3 mm \pm 1 mm unless otherwise noted.
H.L. denotes Hairline Crack - Not to be sealed

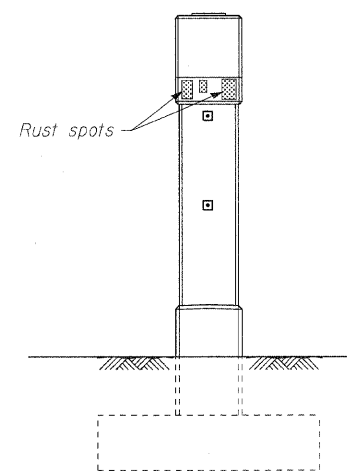
NOTE:

Repair of the Existing Pier shall include but not be limited to the areas shown. The actual areas to be determined by the Engineer at the time of construction.

Repairs indicated on plans are based on in-depth inspection performed on April 2002. Total quantity reported in Bill of material has been increased by 15% from the original to take into account deterioration that may have occurred after inspection.



EAST ELEVATION
(Looking West)



END VIEW
(Looking South)

DESIGNED - EKM
CHECKED - SCD
DRAWN - RD
CHECKED - EKM

Ciorba Group, Inc.
CONSULTING ENGINEERS
5507 North Cumberland Avenue, Suite 402 Chicago, Illinois 60656
Tel. 773.775.4009 Fax 773.775.4014 Email chicago@ciorba.com

PIER REPAIRS
STRUCTURE NO. 016-2034

SHEET NO.	F.A.I. RTE.	SECTION	COUNTY	TOTAL SHEETS	SHEET NO.
S-26 SHEETS	57	1818.3B-R	COOK	58	44
			CONTRACT NO. 60862		
		FED. ROAD DIST. NO.	ILLINOIS FED. AID PROJECT		

rdonley

1/16/2009

rt:\proj\3153\125\design\structural\load\3153-02-FS-20.DGN