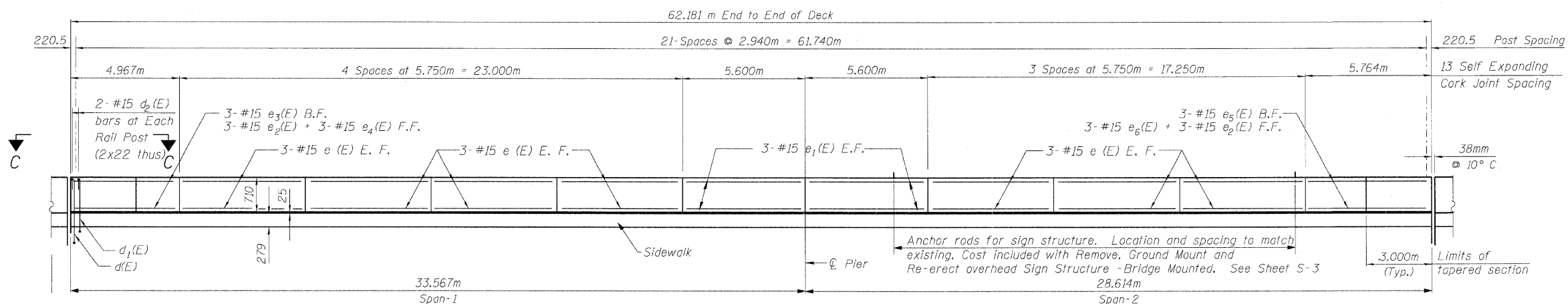
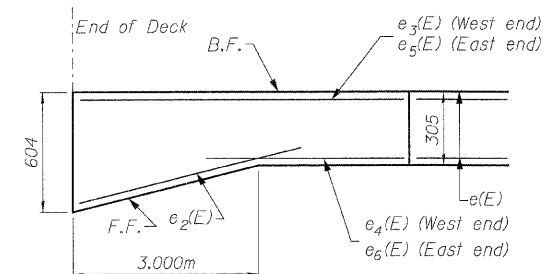


STATE OF ILLINOIS
DEPARTMENT OF TRANSPORTATION



INSIDE ELEVATION OF PARAPET



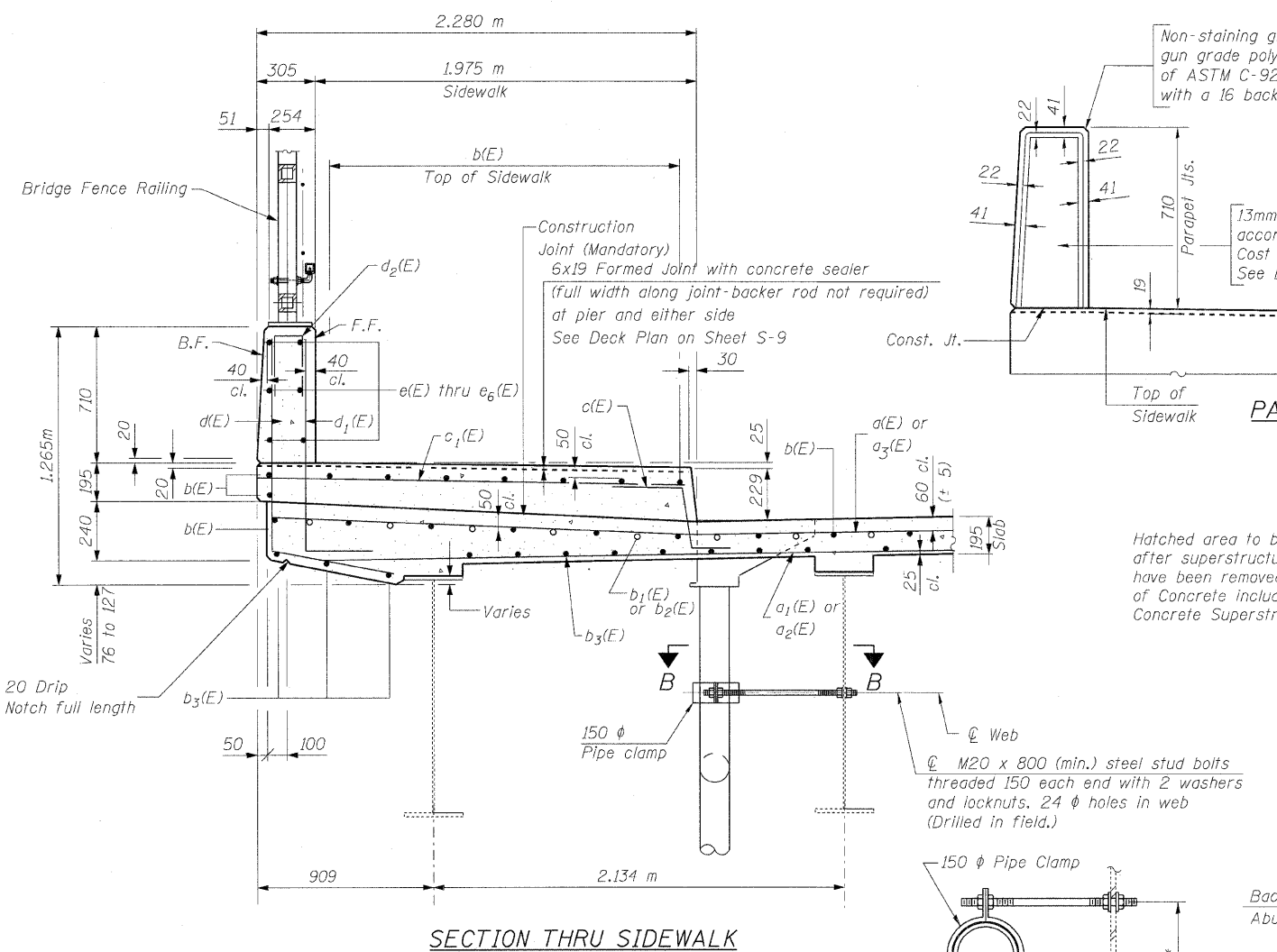
SECTION C-C

SUPERSTRUCTURE
BILL OF MATERIAL

Bar	No.	Size	Length (m)	Shape
a(E)	366	# 15	6.010	—
a1(E)	272	# 15	5.460	—
a2(E)	32	# 15	0.600	—
a3(E)	366	# 15	6.220	—
a4(E)	272	# 15	5.670	—
a5(E)	10	# 25	6.010	—
a6(E)	10	# 25	6.220	—
a7(E)	8	# 20	2.470	—
a8(E)	2	# 20	1.090	—
a9(E)	2	# 20	1.300	—
b(E)	427	# 15	9.420	—
b1(E)	41	# 20	13.000	—
b2(E)	41	# 20	5.740	—
b3(E)	413	# 15	8.320	—
c(E)	414	# 15	0.730	—
c1(E)	414	# 15	2.200	—
d(E)	414	# 15	1.690	—
d1(E)	414	# 20	1.310	—
d2(E)	88	# 15	0.610	—
e(E)	84	# 15	5.670	—
e1(E)	24	# 15	5.520	—
e2(E)	6	# 15	3.610	—
e3(E)	6	# 15	4.890	—
e4(E)	6	# 15	2.590	—
e5(E)	6	# 15	5.690	—
e6(E)	6	# 15	3.370	—
s(E)	950	# 15	0.830	—
x(E)	82	# 15	1.730	—
Reinforcement Bars, Epoxy Coated			kg	32,840
Concrete Superstructure			Cu. m	276.1
Bridge Deck Grooving			Sq. m	456
Protective Coat			Sq. m	893
Bar Splicers			Each	650

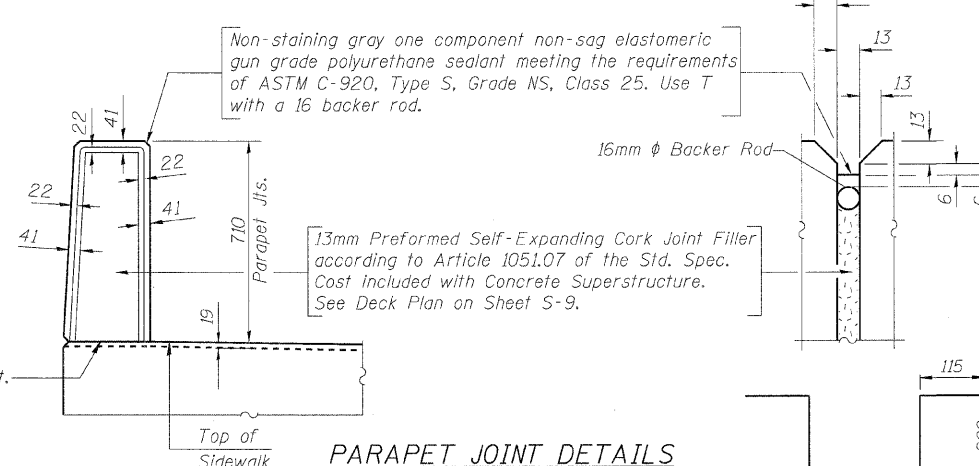
NOTES:

1. Reinforcement bars designated (E) shall be epoxy coated.
2. Bars indicated thus 1 x 4- #15 etc. indicates 1 line of bars with 4 lengths per line.
3. All edges shall have 20 chamfer
4. For Bridge Fence Railing see sheet S-11.
5. Work this sheet with sheet S-9.
6. For Details of Bridge Drainage System, see sheet S-13.



SECTION THRU SIDEWALK

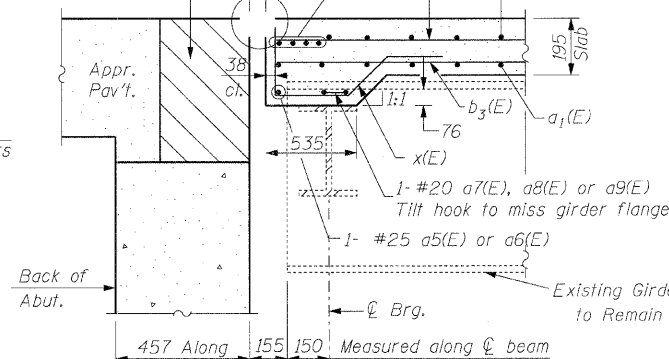
PARAPET JOINT DETAILS



PARAPET JOINT DETAILS

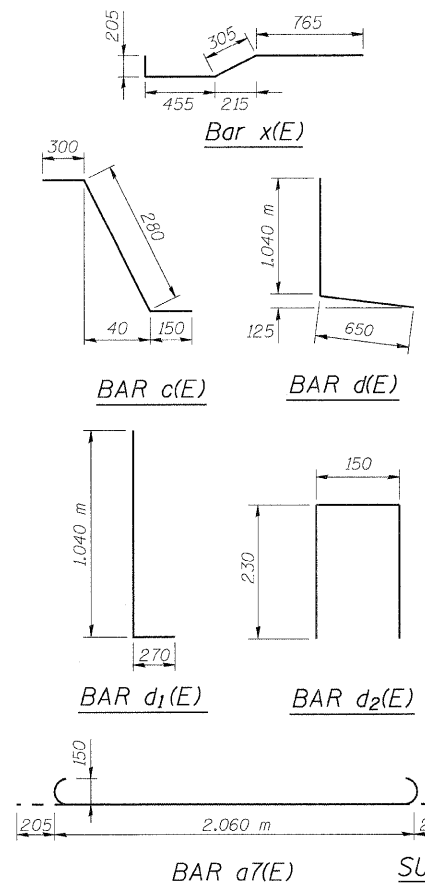
Hatched area to be poured after superstructure forms have been removed. Quantity of Concrete included with Concrete Superstructure.

SECTION A-A



SECTION A-A

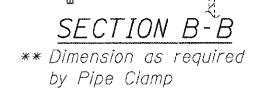
* 4- #25 a5(E) or a6(E) Bars @ 102 spacing. Place under longitudinal Bars.



SUPERSTRUCTURE DETAILS
STRUCTURE NO. 016-2034

DESIGNED -	EKM
CHECKED -	SCD
DRAWN -	RD
CHECKED -	EKM

Giorba Group, Inc.
CONSULTING ENGINEERS
5507 North Cumberland Avenue, Suite 402 Chicago, Illinois 60656
Tel. 773.775.4009 Fax 773.775.4014 Email chicago@giorba.com



SECTION B-B
** Dimension as required by Pipe Clamp

SHEET NO. S-10	F.A.I. RTE.	SECTION	COUNTY	TOTAL SHEETS	SHEET NO.
	57	1818.3B-R	COOK	58	34
S-26 SHEETS		CONTRACT NO. 60862			
FED. ROAD DIST. NO.		ILLINOIS	FED. AID PROJECT		