
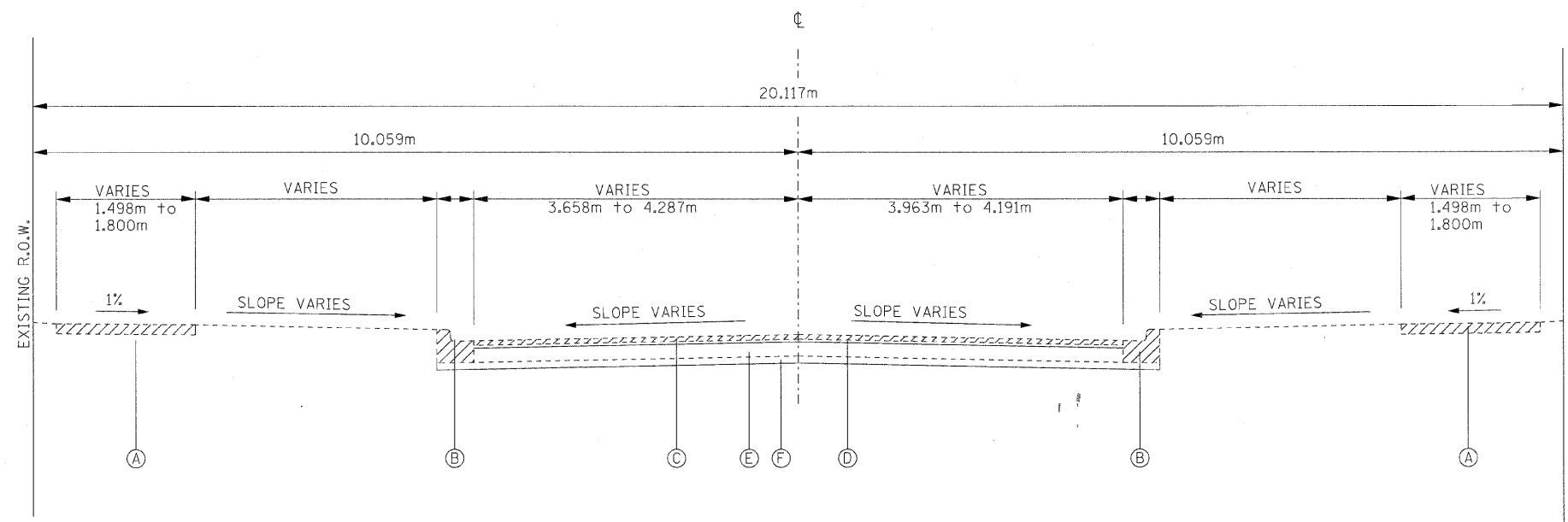


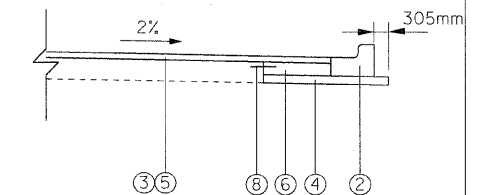
EXISTING LEGEND

-  REMOVAL
- (A) SIDEWALK REMOVAL
- (B) COMBINATION CURB & GUTTER REMOVAL
- (C) HOT-MIX ASPHALT SURFACE REMOVAL, 50mm
- (D) HOT-MIX ASPHALT, 65mm ±
- (E) PORTLAND CEMENT CONCRETE BASE COURSE, 230mm
- (F) STABILIZED SUBBASE, 100mm



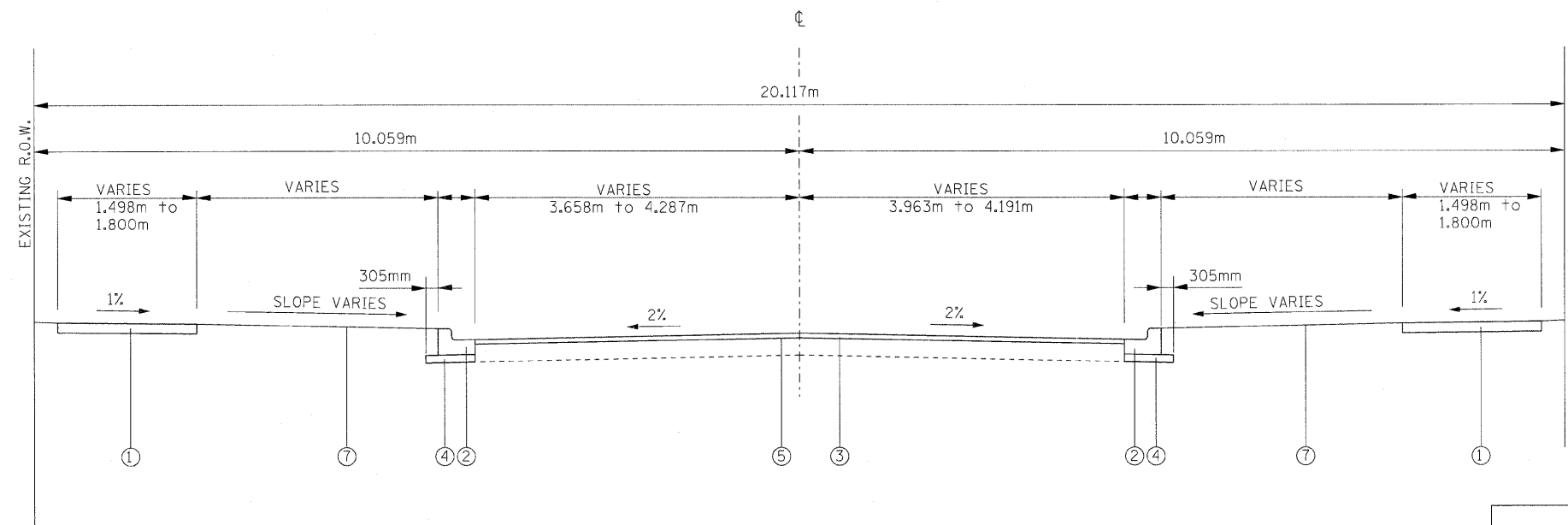
EXISTING TYPICAL SECTION
125th STREET
STA. 0+030.363 TO STA. 0+153.789*
* BRIDGE OMISSION STA. 0+064.776 TO STA. 0+127.647

PROPOSED WIDENING AREAS
(SEE PLAN SHEET)



PROPOSED LEGEND

- ① PORTLAND CEMENT CONCRETE SIDEWALK, 125mm
- ② COMBINATION CONCRETE CURB AND GUTTER, TYPE B-15.30
- ③ HOT-MIX ASPHALT SURFACE COURSE, MIX "D", N70, 50mm
- ④ SUB-BASE GRANULAR MATERIAL, TYPE B, 100mm
- ⑤ LEVELING BINDER (MACHINE METHOD), N70 (VARIABLE DEPTH, 19mm MIN. TO 25mm MAX.)
- ⑥ PORTLAND CEMENT CONCRETE BASE COURSE, 230mm
- ⑦ TOPSOIL AND SODDING
- ⑧ TIE BARS 3/4"



PROPOSED TYPICAL SECTION
125th STREET
STA. 0+030.363 TO STA. 0+153.789*

HOT-MIX ASPHALT MIX REQUIREMENTS		
MIXTURE TYPE	AC TYPE	AIR VOIDS
HOT-MIX ASPHALT SURFACE COURSE, MIX "D", N70 (IL 9.5mm)	PG 64-22	4% @ 70 GYR.
LEVELING BINDER (MACHINE METHOD), IL 9.5 mm, N70	PG 64-22*	4% @ 70 GYR.

NOTE:

THE UNIT WEIGHT USED TO CALCULATE ALL HMA SURFACE MIXTURES IS 2.4kg/m³/mm
* WHEN RAP EXCEEDS 20%, THE NEW ASPHALT BINDER IN THE MIX SHALL BE PG 58-22

FILE NAME = n:\p\proj\3153\125th\design\125th\typical.dgn

Ciorba Group, Inc.
CONSULTING ENGINEERS
5507 North Cumberland Avenue, Suite 402
Chicago, Illinois 60656
Tel. 773.775.4009 Fax 773.775.4014

USER NAME = dmorris	DESIGNED - WBL	REVISED -
PLOT SCALE = 2,000.0 M / MM.	DRAWN - WBL	REVISED -
PLOT DATE = 1/16/2009	CHECKED - MJL	REVISED -
	DATE - 1/16/2009	REVISED -

STATE OF ILLINOIS
DEPARTMENT OF TRANSPORTATION

FAI 57 / INTERSTATE 57		F.A.I. RTE.	SECTION	COUNTY	TOTAL SHEETS	SHEET NO.
125TH STREET OVER I-57		57	1818.3B-R	COOK	58	6
TYPICAL SECTIONS		CONTRACT NO. 60862				
SCALE:	SHEET NO.	OF SHEETS	STA.	TO STA.	FED. ROAD DIST. NO. - ILLINOIS FED. AID PROJECT	