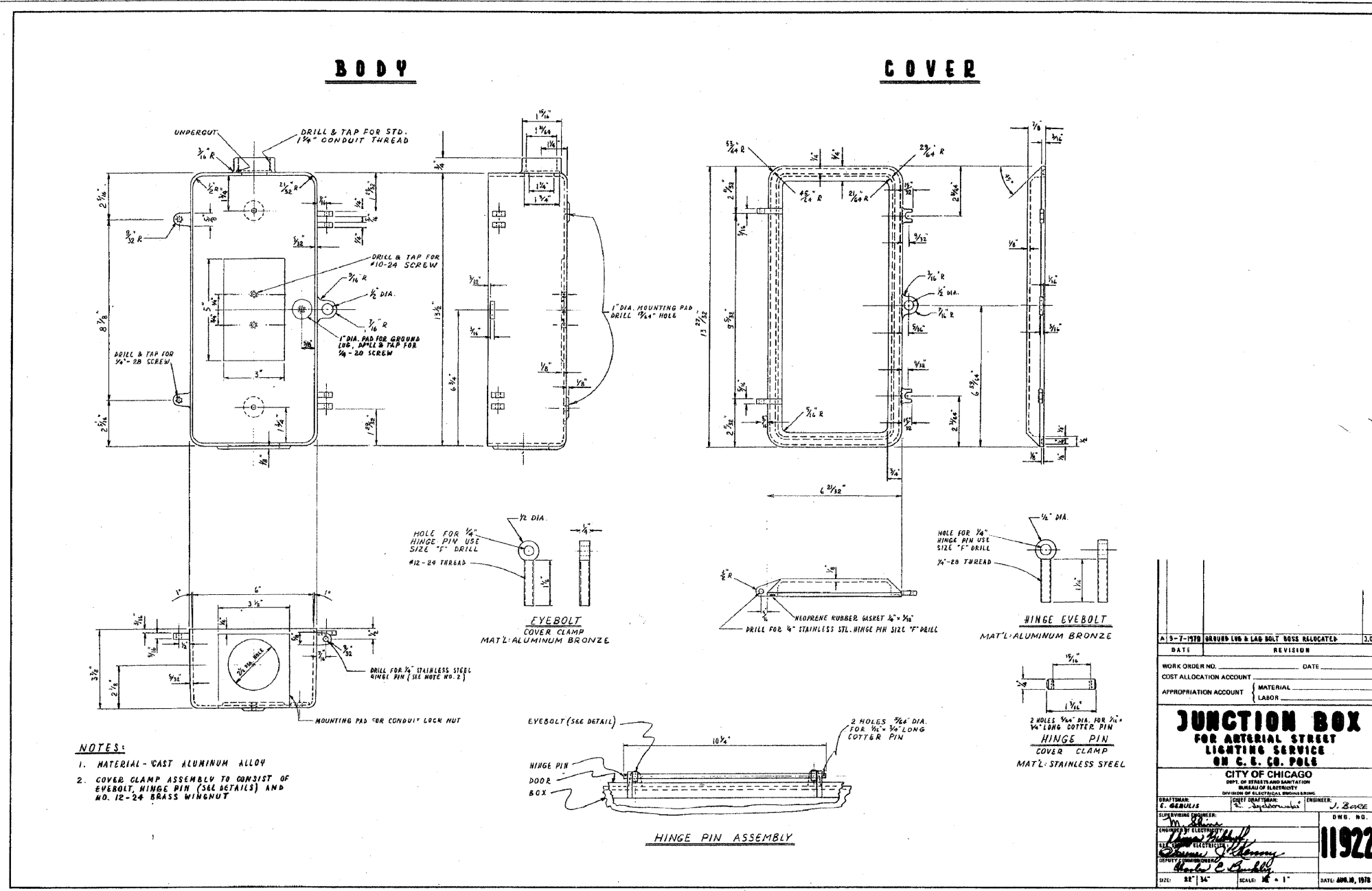


F.A.I. RTE.	SECTION	COUNTY	TOTAL SHEETS	SHEET NO.
57	1919.2B	COOK	119	72
STA.		TO STA.		
FED. ROAD DIST. NO.		ILLINOIS FED. AID PROJECT		

CONTRACT #60371



- NOTES:**
1. MATERIAL - CAST ALUMINUM ALLOY
 2. COVER CLAMP ASSEMBLY TO CONSIST OF EYEBOLT, HINGE PIN (SEE DETAILS) AND NO. 12-24 BRASS WINGNUT

A 3-7-1978 ORDER LWB & LAB BOLT NOSE ALLOCATED J.D.C.	
DATE	REVISION
WORK ORDER NO.	DATE
COST ALLOCATION ACCOUNT	
APPROPRIATION ACCOUNT	MATERIAL
	LABOR
JUNCTION BOX FOR ARTERIAL STREET LIGHTING SERVICE ON C. C. POLS	
CITY OF CHICAGO DEPT. OF STREET LIGHTS AND SIGNALS BUREAU OF ELECTRICITY DIVISION OF ELECTRICAL ENGINEERING	
DRAWN BY: E. GEBRALLE	ENGINEER: J. BOCKE
CHECKED BY: [Signature]	DWG. NO. 11922
DATE: APR. 10, 1978	

CITY OF CHICAGO BUREAU OF ELECTRICITY
STANDARD DRAWINGS ARE PROVIDED IN ENGLISH
UNITS.

SINGH SINGH & ASSOCIATES, INC.
CONSULTING ENGINEERS

REVISIONS	
NAME	DATE

ILLINOIS DEPARTMENT OF TRANSPORTATION
115TH STREET OVER I-57
CITY OF CHICAGO
BUREAU OF ELECTRICITY
STANDARD DRAWINGS

SCALE: NONE DRAWN BY: VG
DATE: 01-16-09 CHECKED BY: PV