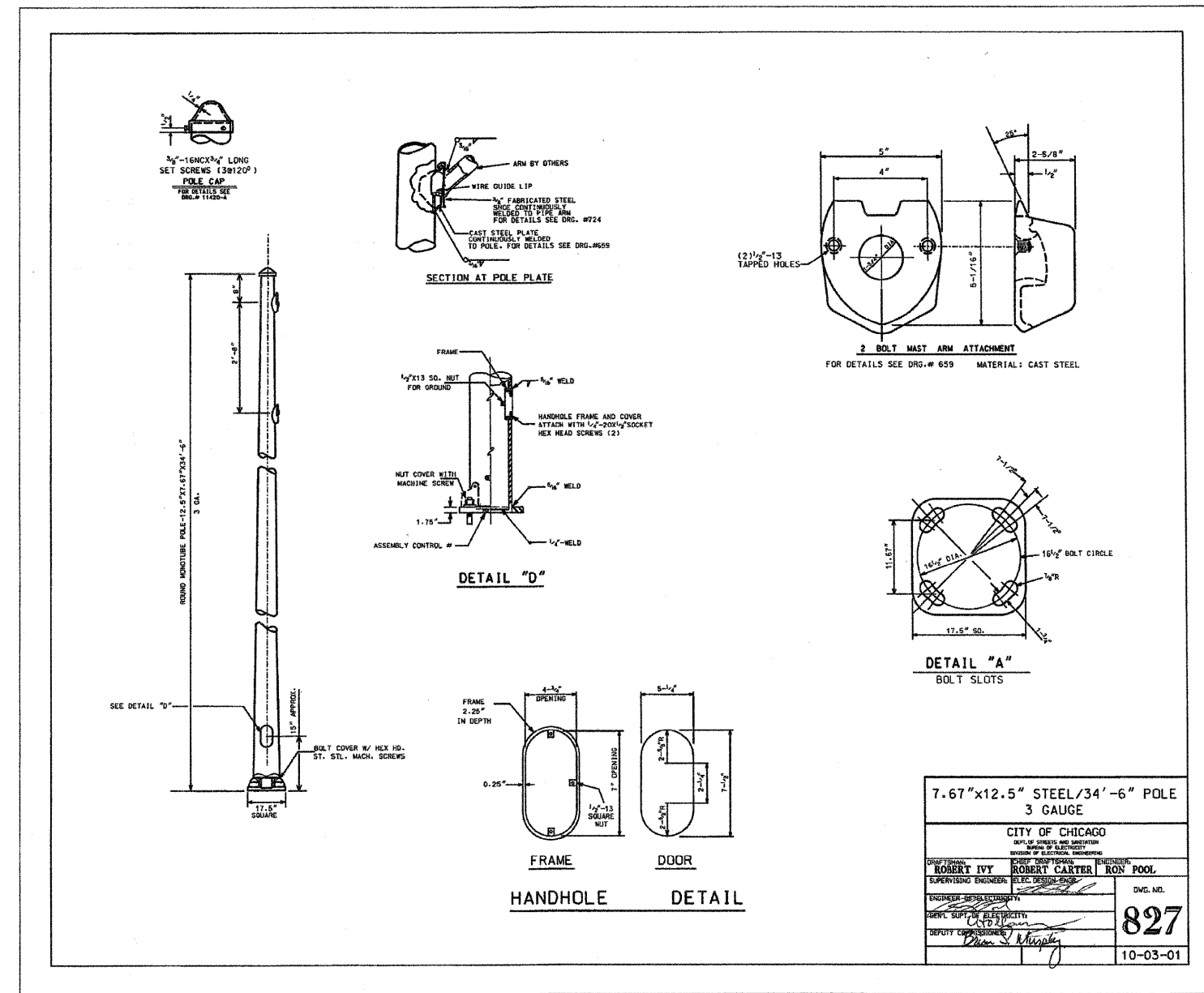
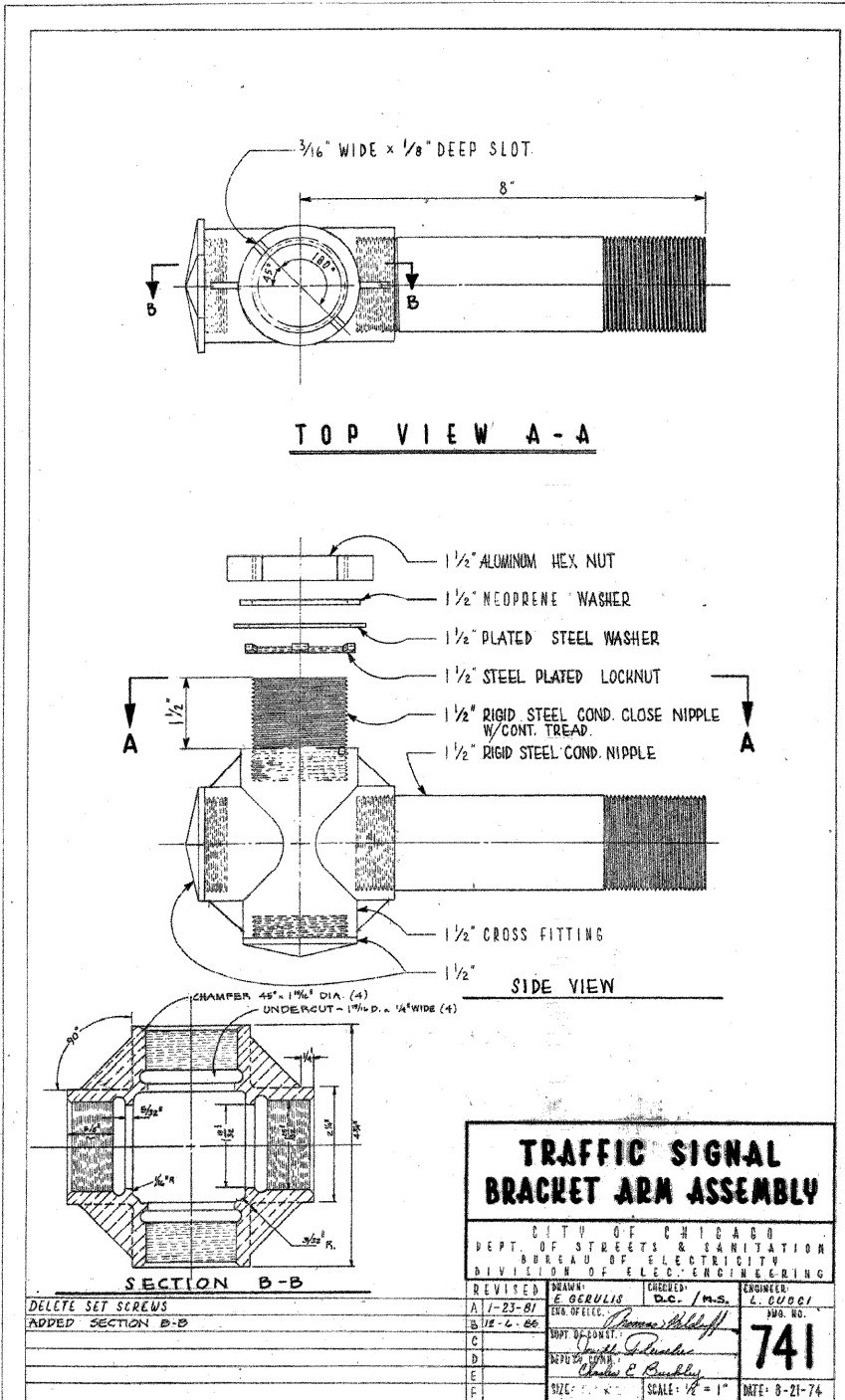


F.A.I. RTE.	SECTION	COUNTY	TOTAL SHEETS	SHEET NO.
57	1919.2B	COOK	119	58
STA.		TO STA.		
FED. ROAD DIST. NO.		ILLINOIS FED. AID PROJECT		

CONTRACT #60371



* CITY OF CHICAGO BUREAU OF ELECTRICITY
 STANDARD DRAWINGS ARE PROVIDED IN ENGLISH
 UNITS.

SINGH SINGH & ASSOCIATES, INC.
 CONSULTING ENGINEERS

REVISIONS	
NAME	DATE

ILLINOIS DEPARTMENT OF TRANSPORTATION
 115TH STREET OVER I-57
 CITY OF CHICAGO
 BUREAU OF ELECTRICITY
 STANDARD DRAWINGS

SCALE: NONE
 DATE: 01-16-09

DRAWN BY: VG
 CHECKED BY: PV