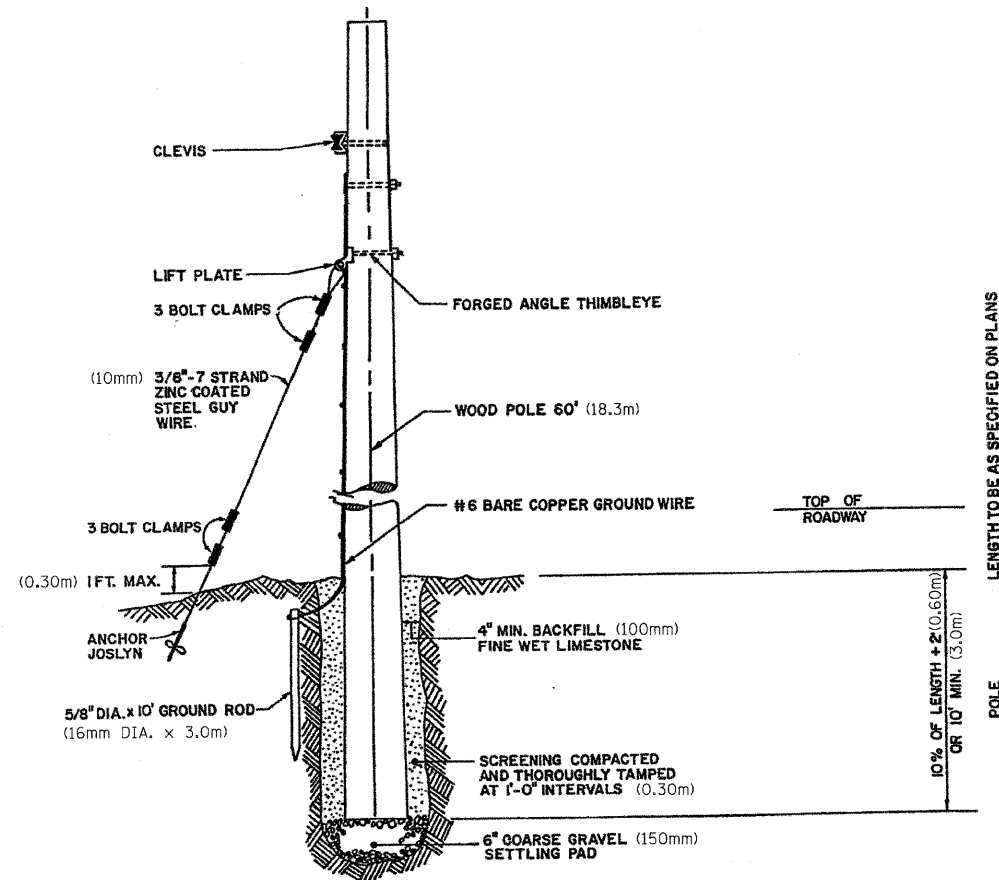
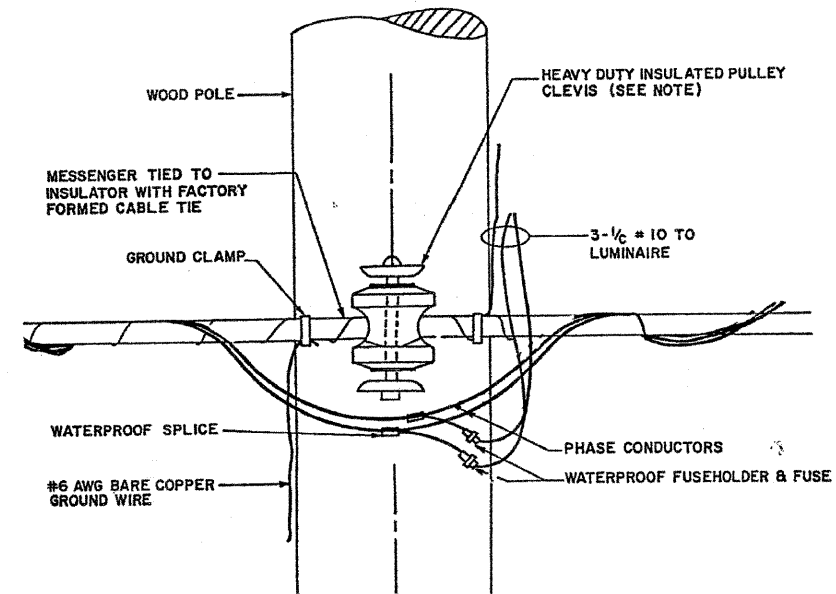


F.A.I. RTE.	SECTION	COUNTY	TOTAL SHEETS	SHEET NO.
57	1919.2B	COOK	119	55
STA.		TO STA.		
FED. ROAD DIST. NO.		ILLINOIS FED. AID PROJECT		

CONTRACT #60371



**TEMPORARY POLE DETAIL**



**TEMPORARY POLE CABLE ATTACHMENT DETAIL**

NOTE:  
WITH THE APPROVAL OF THE ENGINEER, A SECONDARY CABLE SPREADER SECURED TO THE POLE MAY BE USED IN CONJUNCTION WITH THE QUADRUPLIX IN LIEU OF THE HEAVY DUTY INSULATED PULLEY CLEVIS

REVISIONS		ILLINOIS DEPARTMENT OF TRANSPORTATION 115th STREET OVER I-57 TEMPORARY POLE DETAIL AND CABLE ATTACHMENT DETAIL
NAME	DATE	

**SINGH** SINGH & ASSOCIATES, INC.  
CONSULTING ENGINEERS

SCALE: NTS  
DATE: 01-16-09  
DRAWN BY: BD  
CHECKED BY: RD