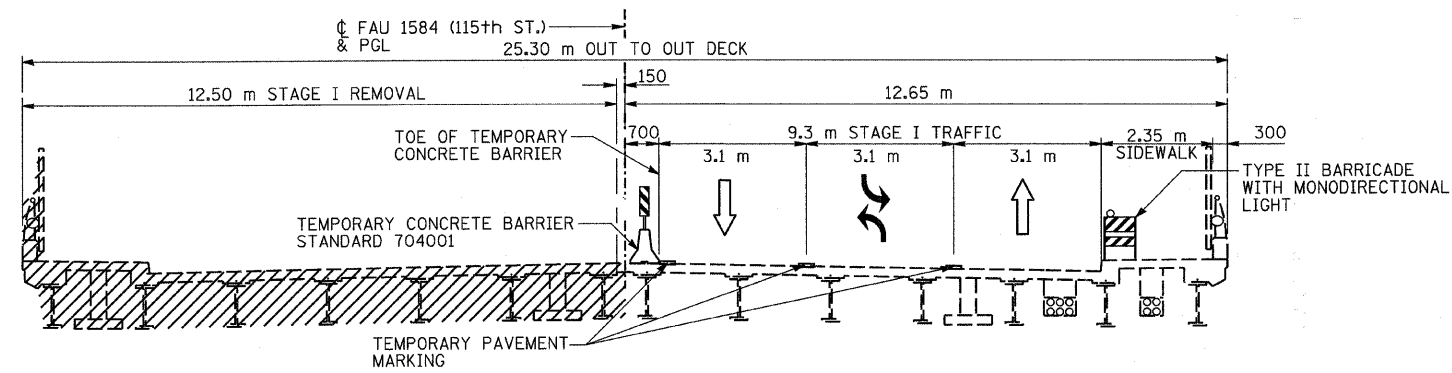
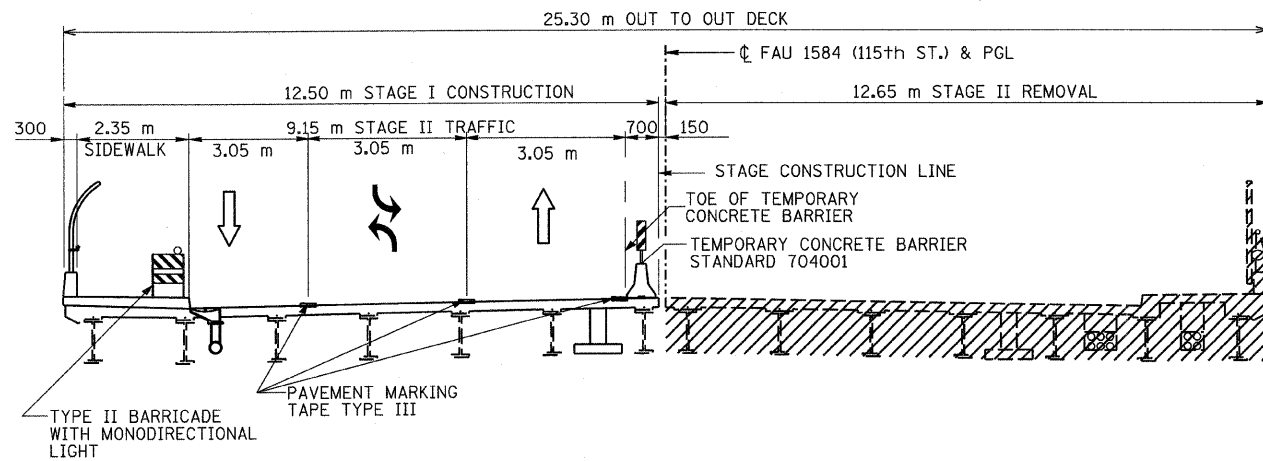


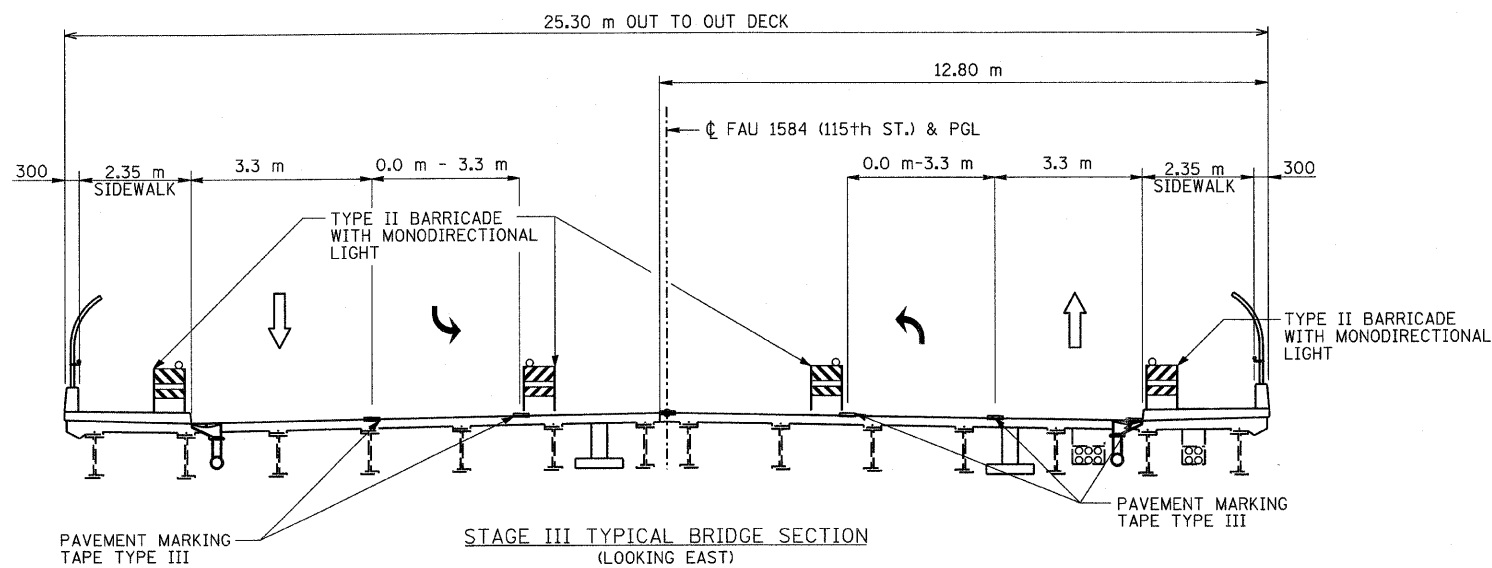
F.A.I.	SECTION	COUNTY	TOTAL SHEETS	SHEET NO.
57	1919.2B	COOK	119	23
FED. ROAD DIST. NO.		ILLINOIS FED. AID PROJECT		
CONTRACT 60371				



STAGE I TYPICAL BRIDGE SECTION  
(LOOKING EAST)

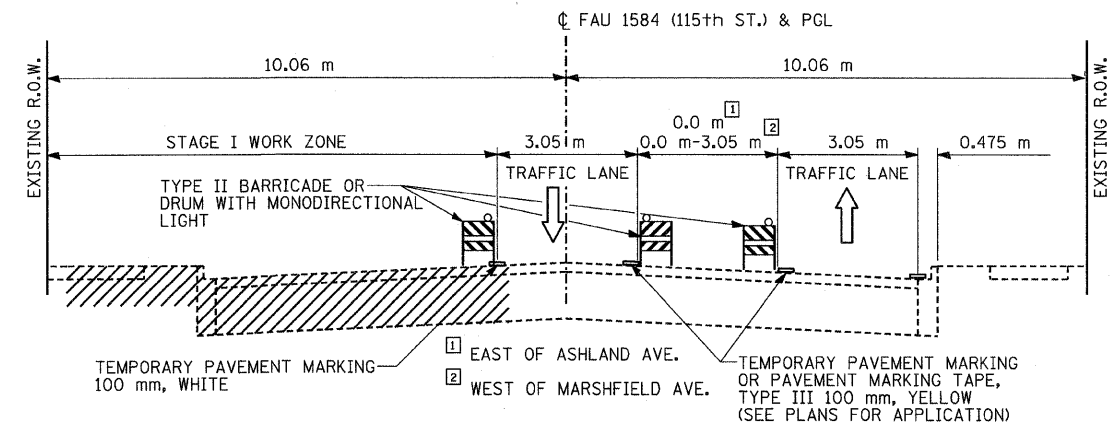


STAGE II TYPICAL BRIDGE SECTION  
(LOOKING EAST)

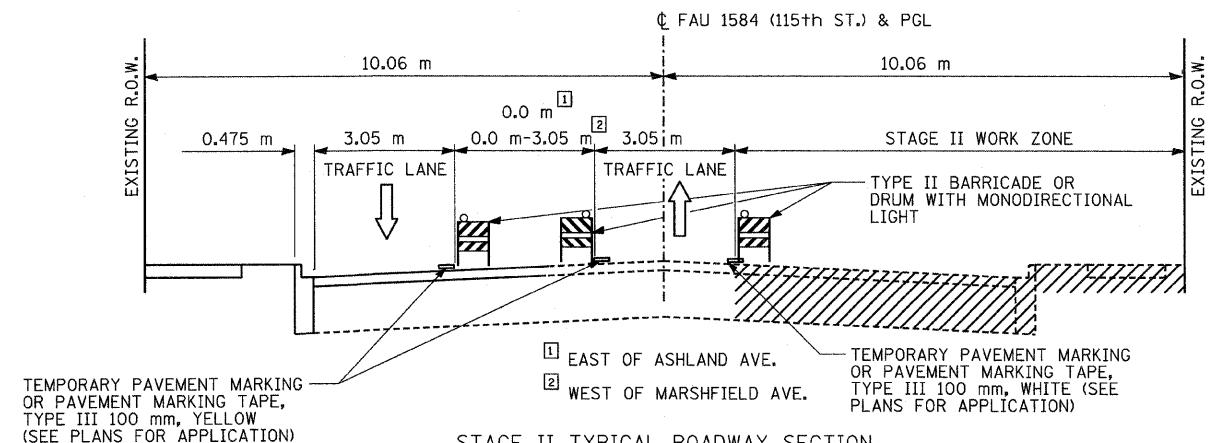


STAGE III TYPICAL BRIDGE SECTION  
(LOOKING EAST)

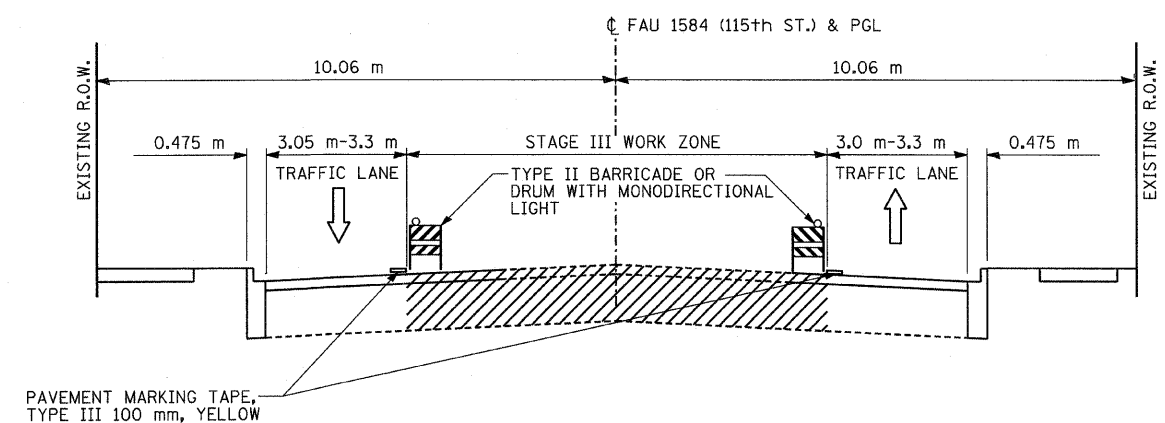
NOTE:  
REMOVE EXISTING PAVEMENT MARKINGS IN STAGES WHICH CONFLICT WITH TEMPORARY PAVEMENT MARKING OR PAVEMENT MARKING TAPE TYPE III FOR ALL CONSTRUCTION STAGES.



STAGE I TYPICAL ROADWAY SECTION  
(LOOKING EAST)



STAGE II TYPICAL ROADWAY SECTION  
(LOOKING EAST)



STAGE III TYPICAL ROADWAY SECTION  
(LOOKING EAST)

REVISIONS	
NAME	DATE

ILLINOIS DEPARTMENT OF TRANSPORTATION  
SUGGESTED STAGES OF CONSTRUCTION  
AND TRAFFIC CONTROL  
TYPICAL SECTIONS  
115th STREET

SCALE: N.T.S. DRAWN BY: PRH  
DATE: JANUARY 16, 2009 CHECKED BY: JMH

**COLLINS ENGINEERS**  
123 North Wacker Drive  
Suite 300  
Chicago, IL 60606  
(312) 704-9300  
www.collinseng.com  
ILLINOIS PROFESSIONAL DESIGN FIRM LICENSE NO. 184-000993

FILE: g:\2904\civil\exhibit\2904017.dgn  
DATE: 12-Jan-09 14:48