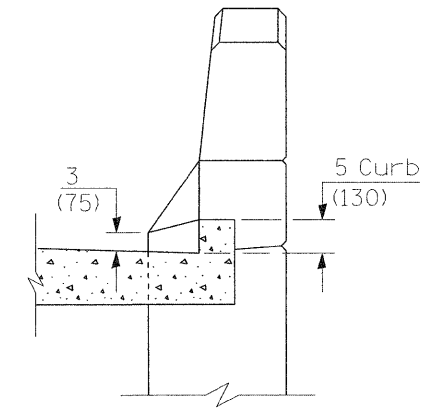
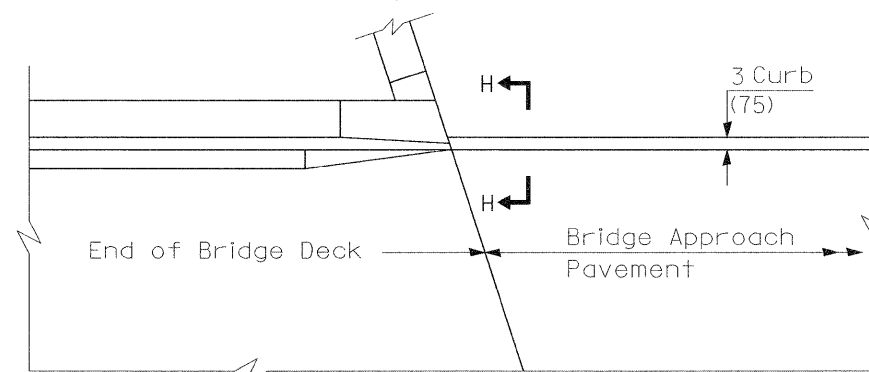


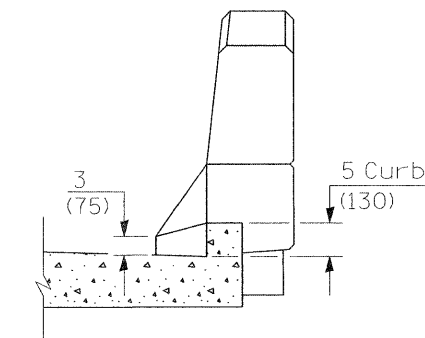
PARAPET TO CURB TRANSITION  
PILE BENT ABUTMENT



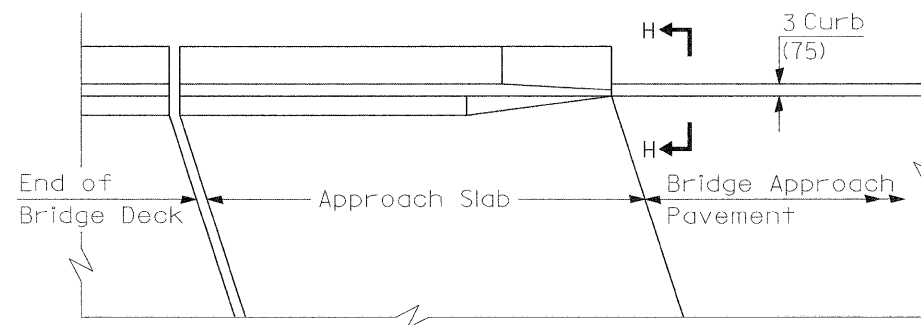
SECTION I - I



PARAPET TO CURB TRANSITION  
INTEGRAL ABUTMENT



SECTION H - H



PARAPET TO CURB TRANSITION  
VAULTED ABUTMENT

FILE NAME =	USER NAME = midyjo	DESIGNED -	REVISED -
ca:\pwork\pwork\midyjo\ad0256471\DL170418-shd-plendgn		DRAWN -	REVISED -
PLOT SCALE = 50,0000 ' / IN.		CHECKED -	REVISED -
PLOT DATE = 3/16/2011		DATE -	REVISED -

**STATE OF ILLINOIS**  
**DEPARTMENT OF TRANSPORTATION**

**BRIDGE APPROACH PAVEMENT**

SCALE: SHEET NO. 1 OF 2 SHEETS STA. TO STA.

F.A.P. RTE.	SECTION	COUNTY	TOTAL SHEETS	SHEET NO.
846	4 B-2-BR	WILL	26	17A
CONTRACT NO. 60L50				
ILLINOIS FED. AID PROJECT				