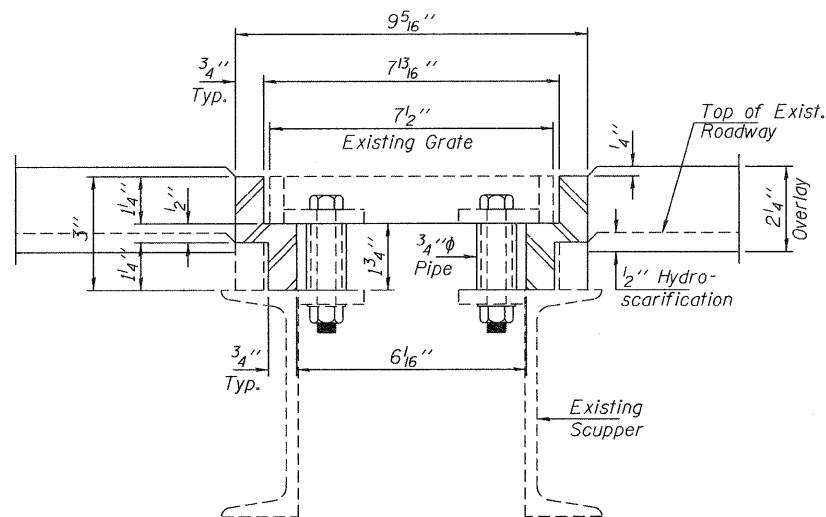
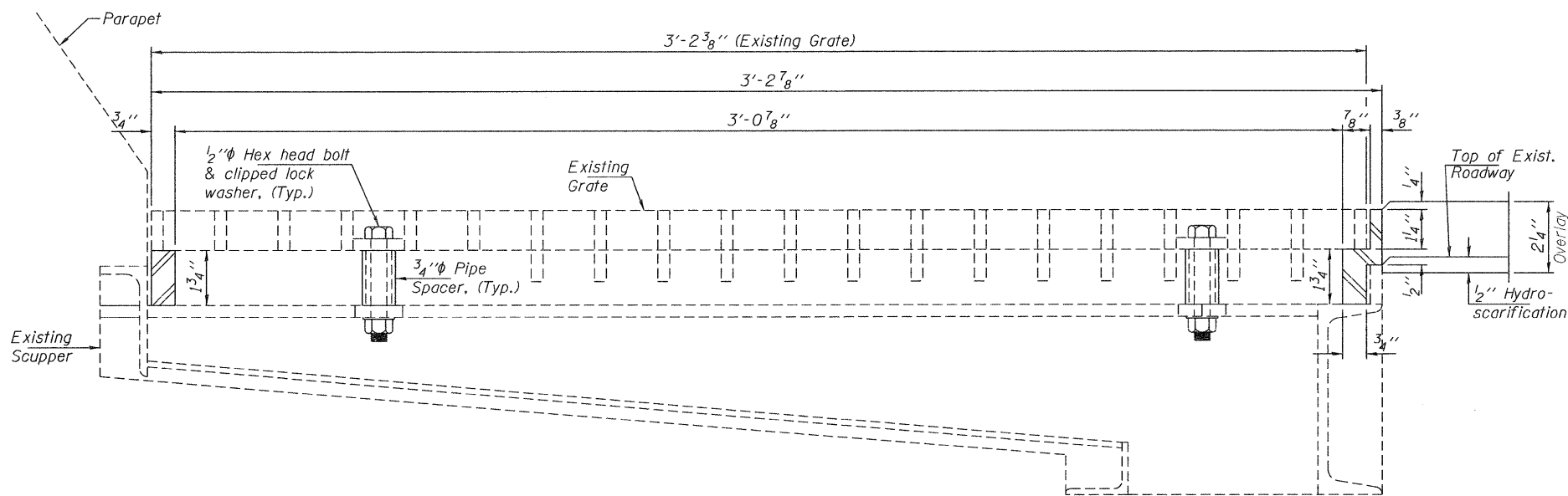


PLAN



SECTION A-A



SECTION B-B

- Adjusting Scupper Ring

NOTES

See sheet 9 of 26 for scupper locations.
 All structural steel shall be AASHTO M270 Grade 36. The adjusting scupper ring and 3/4" φ pipe sleeve spacers shall be galvanized.
 Bolts shall be 1/2" φ AASHTO M164 Type 1, mechanically galvanized.
 Plan dimensions and details relative to existing plans are subject to nominal construction variations. The Contractor shall field verify existing dimensions and details affecting new construction and make necessary approved adjustments prior to construction or ordering of materials. Such variations shall not be cause for additional compensation for a change in scope of the work, however, the Contractor will be paid for the quantity actually furnished based at the unit price bid for the work.
 Shop plans for proposed adjusting scupper ring shall be submitted for approval prior to fabrication.
 Contractor shall ensure that no damage is done to existing grates to be reused. Cost of all labor and materials necessary to remove existing grates, clean existing scuppers, install adjusting scupper rings and reinstalling grates is included in the cost per unit each for Adjusting Drainage Scupper, Type A.

BILL OF MATERIAL

ITEM	UNIT	QUANTITY
Adjusting Drainage Scupper, Type A	Each	2

BA-0 7-1-10

FILE NAME =	USER NAME = midyjo	DESIGNED -	REVISED -	STATE OF ILLINOIS DEPARTMENT OF TRANSPORTATION	ADJUSTING DRAINAGE SCUPPER, TYPE A DETAIL S.N. 099-0091	F.A.P. RTE. =	SECTION	COUNTY	TOTAL SHEETS	SHEET NO.
c:\pwork\pwork\midyjo\20101671\099-0091.dgn		DRAWN -	REVISED -			846	4 B-2-BR	WILL	26	13A
PLOT SCALE = 50.0000' / IN.		CHECKED -	REVISED -			CONTRACT NO. 60L50				
PLOT DATE = 3/16/2011		DATE -	REVISED -			ILLINOIS FED. AID PROJECT				
SCALE: SHEET NO. OF SHEETS STA. TO STA.										