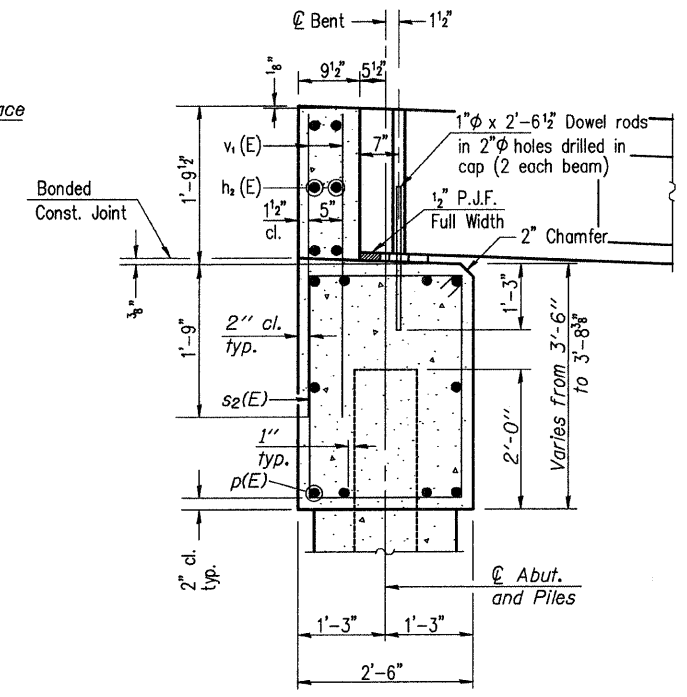
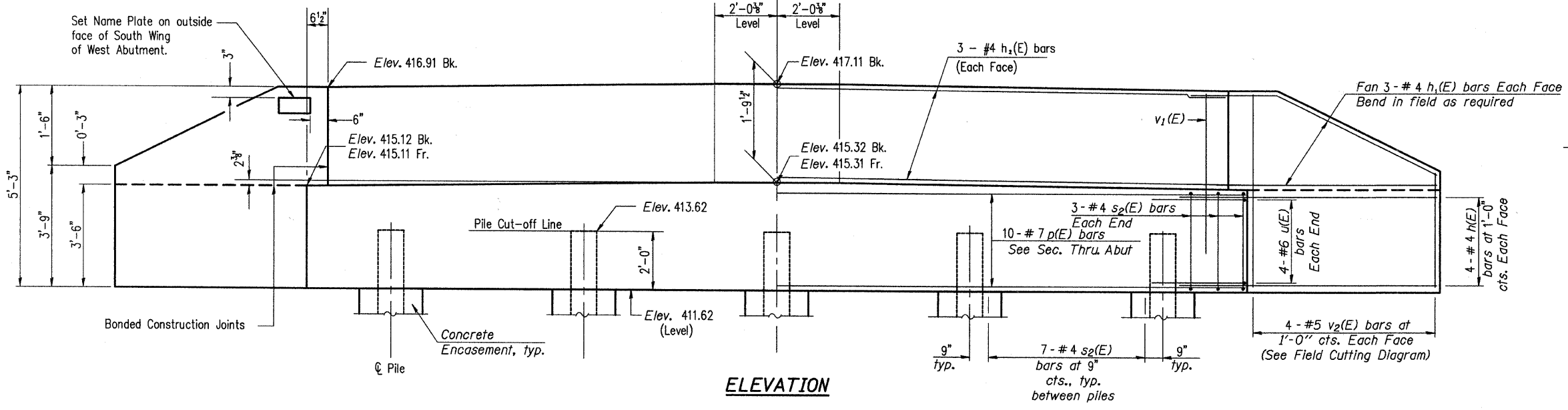
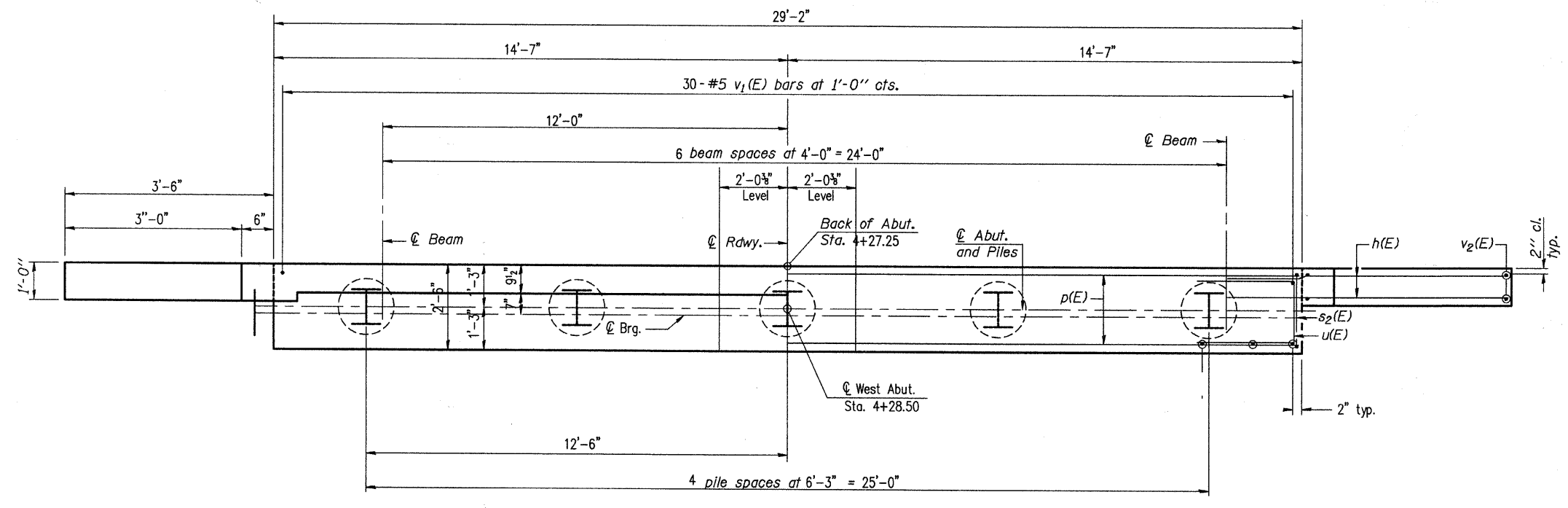


ROUTE	SECTION	COUNTY	TOTAL SHEETS	SHEET NO.
T.R. 237	10-05124-00-BR	LAWRENCE	13	8
CONTRACT NO. 95642		ILLINOIS		

Note: Four steps monolithically with cap.



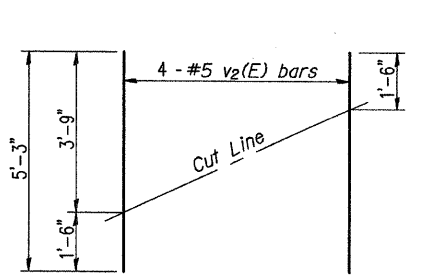
SEC. THRU ABUT.



PLAN

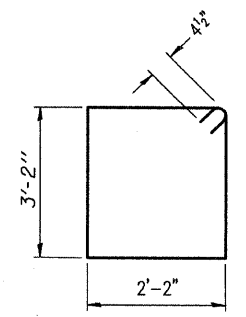
PILE DATA

Type: HP 10X42
 Nominal Required Bearing: 335 kips
 Factored Resistance Available: 183 kips
 Est. Length: 35 Feet
 No. Production Piles: 4
 No. Test Piles: 1

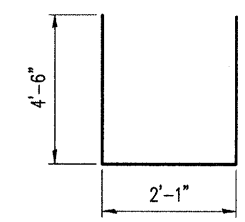


FIELD CUTTING DIAGRAM

Order v2(E) full length. Cut as shown and use remainder of bars in opposite face.



BAR s2(E)



BAR u(E)

Notes: The Backwall and the portion of the Wingwalls above the bonded construction joint shall be cast against the in-place beam.
 Space reinforcement in cap to miss anchor bolts.

BILL OF MATERIAL

Bar	No.	Size	Length	Shape
h(E)	16	#4	5'-0"	—
h1(E)	12	#4	5'-3"	—
h2(E)	6	#4	28'-9"	—
p(E)	10	#7	28'-9"	—
s2(E)	34	#4	11'-5"	□
u(E)	8	#6	11'-1"	□
v1(E)	60	#5	3'-6"	—
v2(E)	16	#5	5'-3"	—
Concrete Structures		Cu. Yd.	12.2	
Reinforcement Bars, Epoxy Coated		Pound	1500	
Furnishing Steel Piles HP 10X42		Foot	140	
Driving Piles		Foot	140	
Test Pile		Each	1	
Concrete Encasement		Cu. Yd.	1.75	

For details of piles and Concrete Encasement, see sheet 10 of 13.

CHARLESTON ENGINEERING, INC.
 CONSULTING ENGINEERS
 105 NORTH KITCHELL
 P.O. BOX 387
 OLNEY, ILLINOIS 62450
 (618) 392-0736
 ILLINOIS DEPARTMENT OF PROFESSIONAL REGULATION REGISTRATION #184-002513

WEST ABUTMENT DETAILS
 STRUCTURE NO. 051-3299
 T.R. 237
 OVER BIG SLOUGH
 SECTION 10-05124-00-BR
 LAWRENCE COUNTY
 STATION 4+53.00

ABUTMENTS