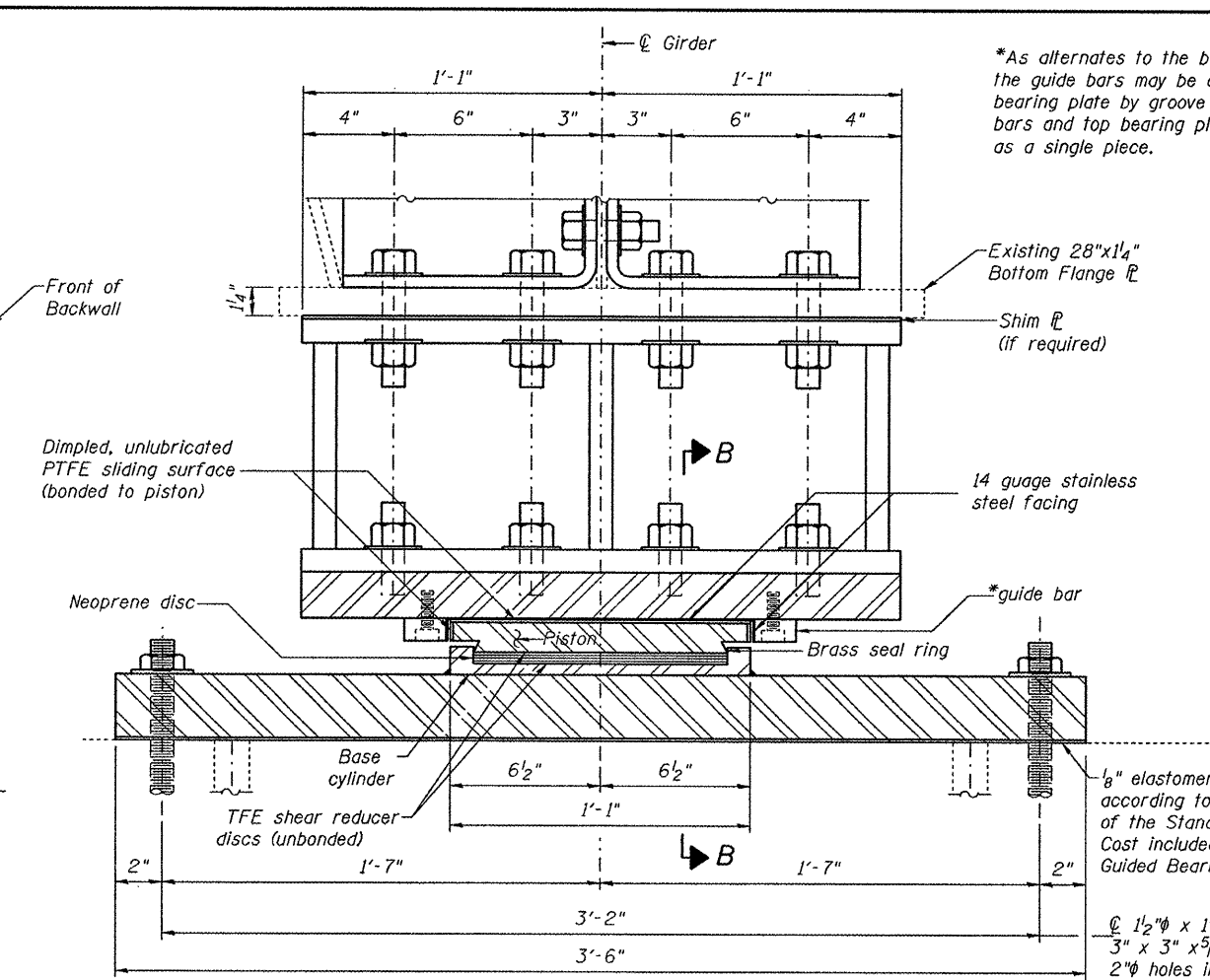
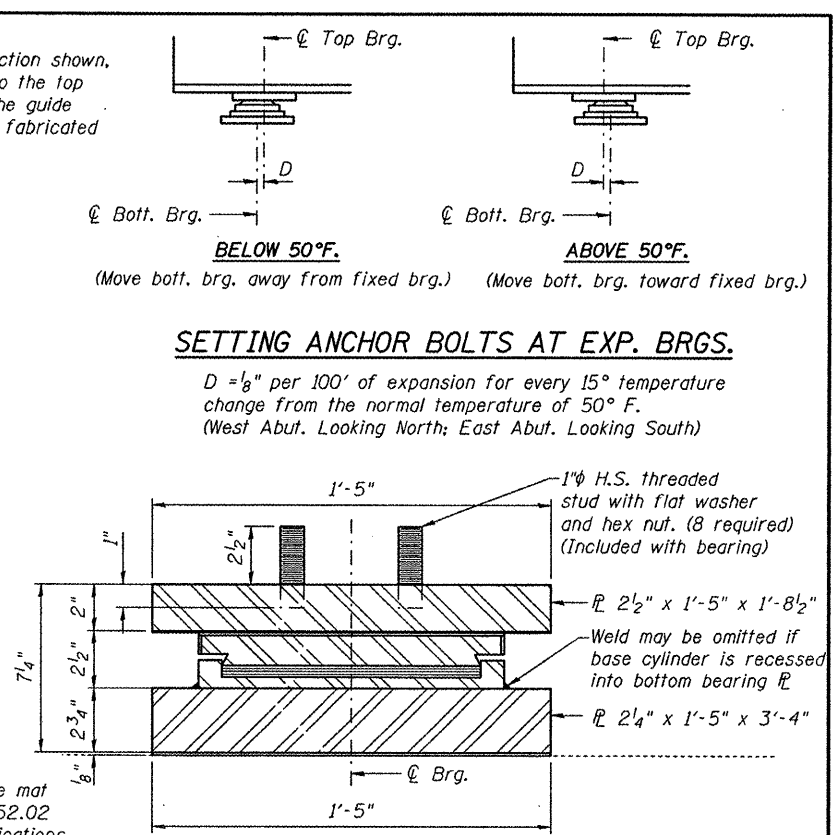


ELEVATION



SECTION A-A

GUIDED EXPANSION POT BEARING



SETTING ANCHOR BOLTS AT EXP. BRGS.

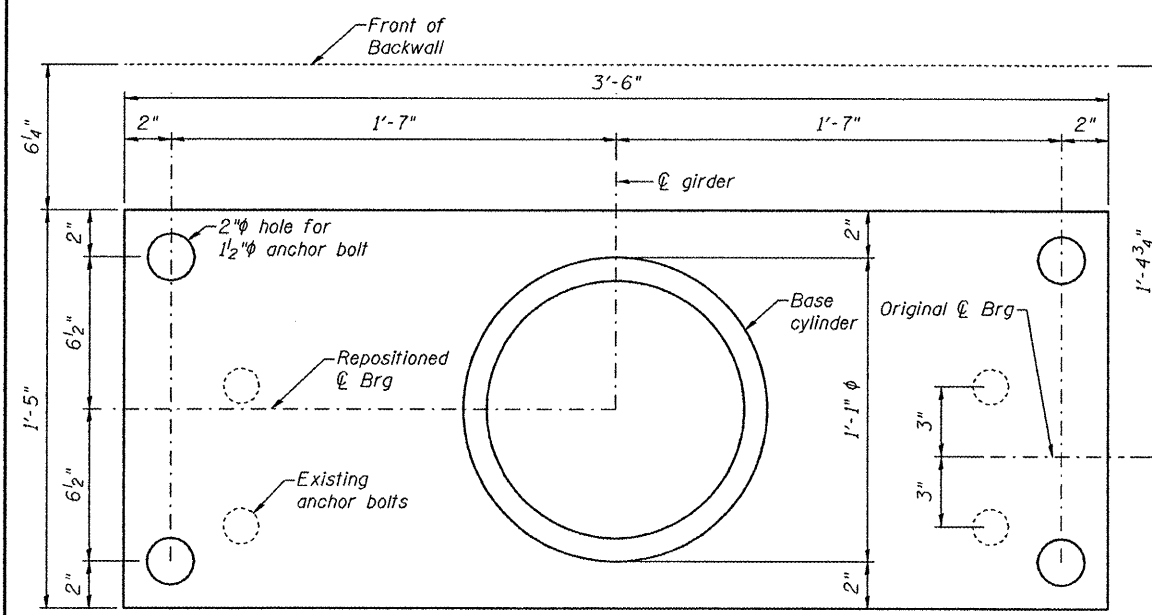
SECTION B-B
(Guide Bar omitted for clarity)

Bearing Data	
Vertical design load	350k
W. Abut Total movement	2 $\frac{1}{8}$ "
E. Abut Total movement	5"

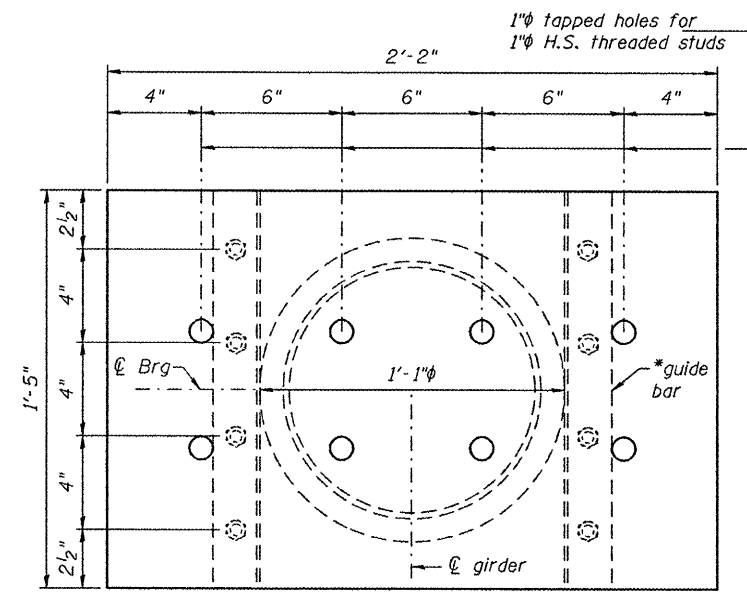
BILL OF MATERIAL

Item	Unit	Total
HLMR Guided Bearings, 450k	Each	4

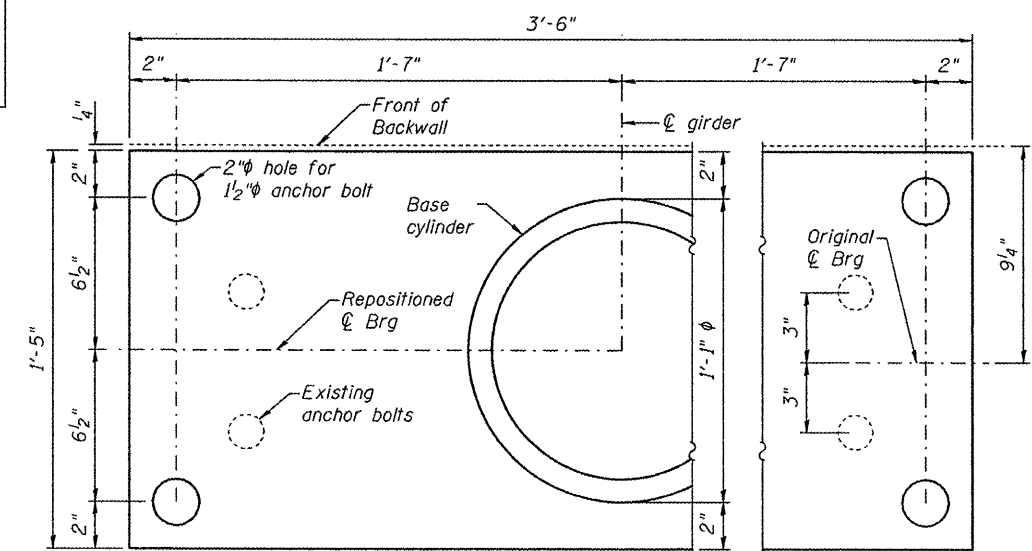
Notes: The plates of the bearing assembly shall be AASHTO M270, Grade 50. For anchor bolt installation details, see sheet 10 of 10.



BOTTOM BEARING \varnothing AND BASE CYLINDER PLAN
(East Abutment)



TOP BEARING \varnothing AND PISTON PLAN



BOTTOM BEARING \varnothing AND BASE CYLINDER PLAN
(West Abutment)

DESIGNED - J. Uehle	EXAMINED - <i>Jan F. Jell</i>	DATE - March 11, 2011
CHECKED - A. Holloway	ENGINEER OF STRUCTURAL SERVICES	
DRAWN - J. Uehle	PASSED	
CHECKED - A. Holloway	ENGINEER OF BRIDGES AND STRUCTURES	

STATE OF ILLINOIS
DEPARTMENT OF TRANSPORTATION

POT BEARINGS
SN 082-0198

F.A.P. RTE. 103	SECTION 561-B-1	COUNTY ST. CLAIR	TOTAL SHEETS 21	SHEET NO. 14
SHEET NO. 7 OF 11 SHEETS				CONTRACT NO. 76E20
ILLINOIS FED. AID PROJECT				