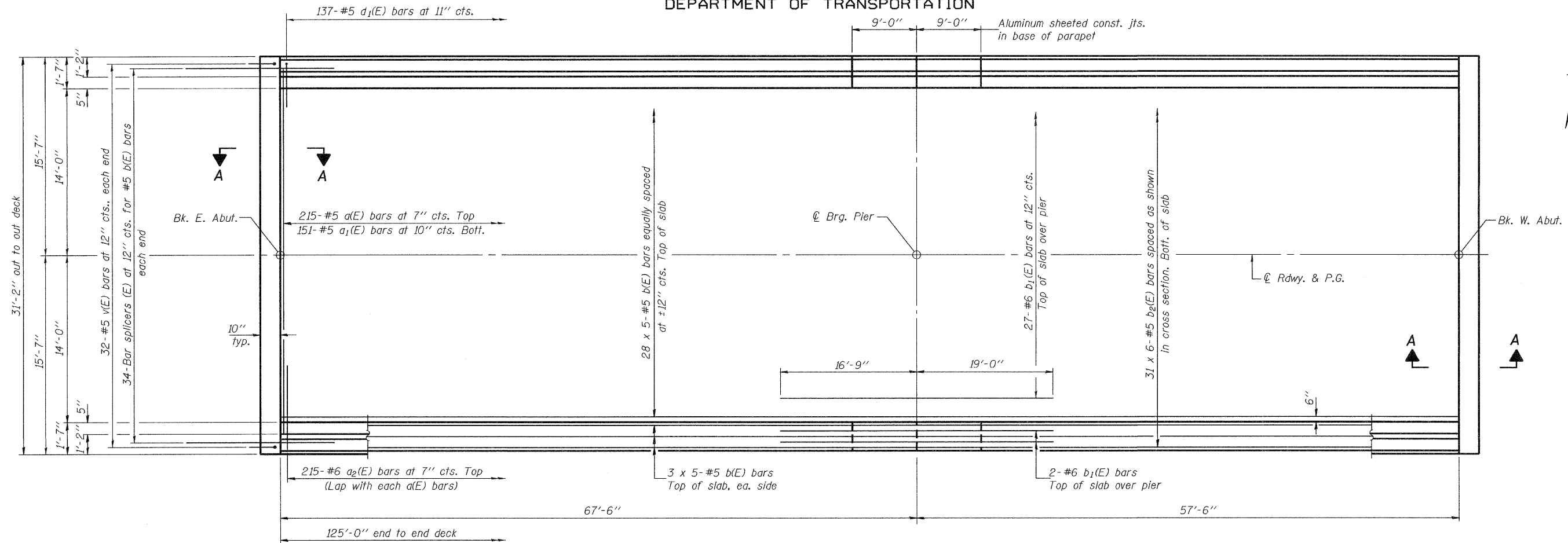


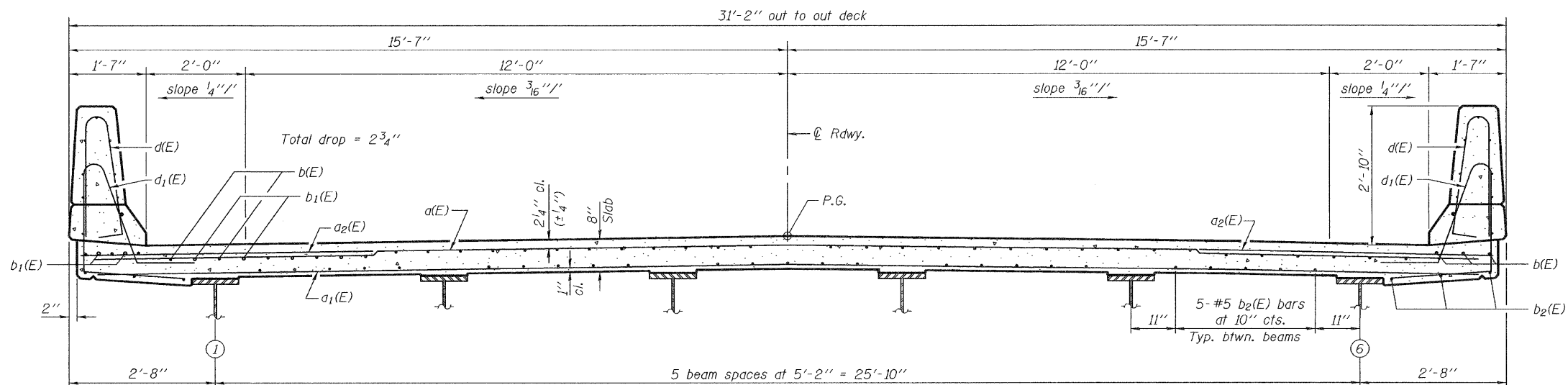
STATE OF ILLINOIS
DEPARTMENT OF TRANSPORTATION



PLAN

MIN. BAR LAP
#5 bar = 2'-2"

Notes:
See sheet 9 of 22 for superstructure details and Bill of Material.
Bars indicated thus 20 x 3-#5 etc. indicates 20 lines of bars with 3 lengths per line.
See sheet 9 of 22 for parapet reinforcement.
See sheet 10 of 22 for Section A-A.



CROSS SECTION
(Looking west)

SUPERSTRUCTURE
STRUCTURE NO. 013-0040

DESIGNED Phillip R. Litchfield
CHECKED Roy Ahanchi
DRAWN Gregory D. Farmer <i>htd</i>
CHECKED PRL/GRA/JDE

Sep. 9, 2010
EXAMINED *Thomas J. Danagalaki*
PASSED *Ralph E. Anderson*
ENGINEER OF BRIDGES AND STRUCTURES

SHEET NO. 8 22 SHEETS	S.B.I. RTE. 12	SECTION 10B-1	COUNTY CLAY	TOTAL SHEETS 39	SHEET NO. 20
	CONTRACT NO. 74004				
FED. ROAD DIST. NO. - ILLINOIS FED. AID PROJECT					