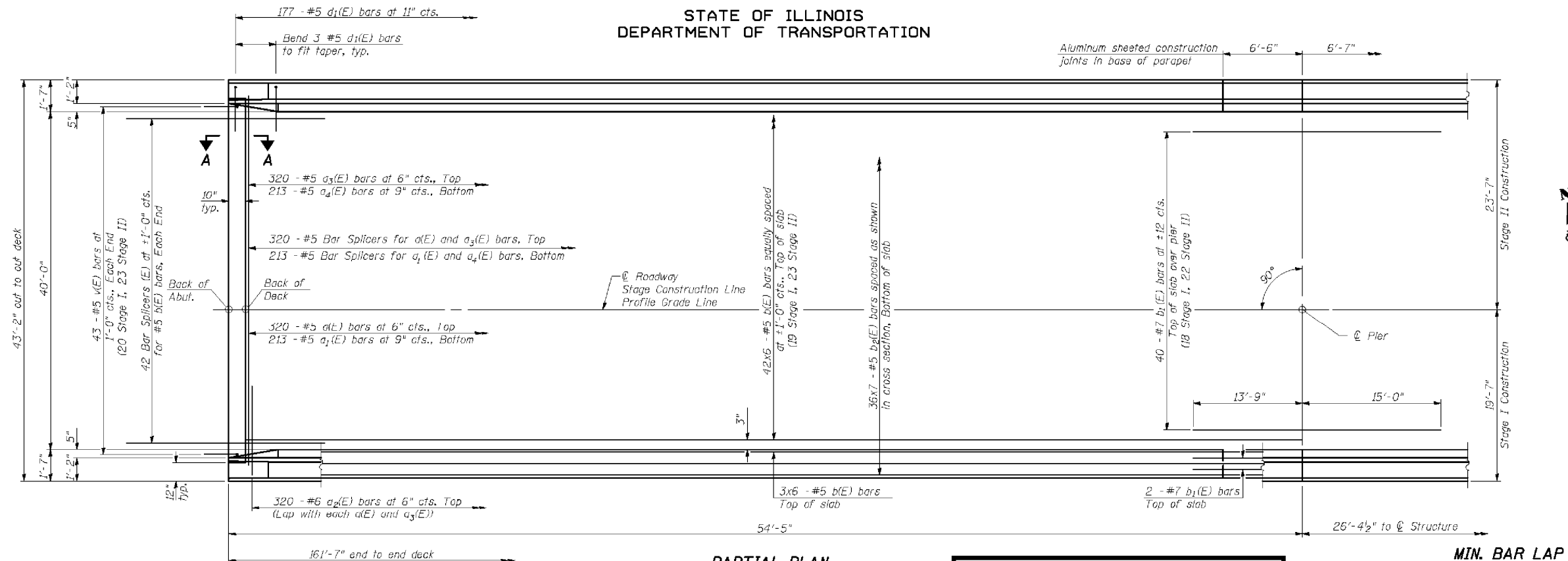


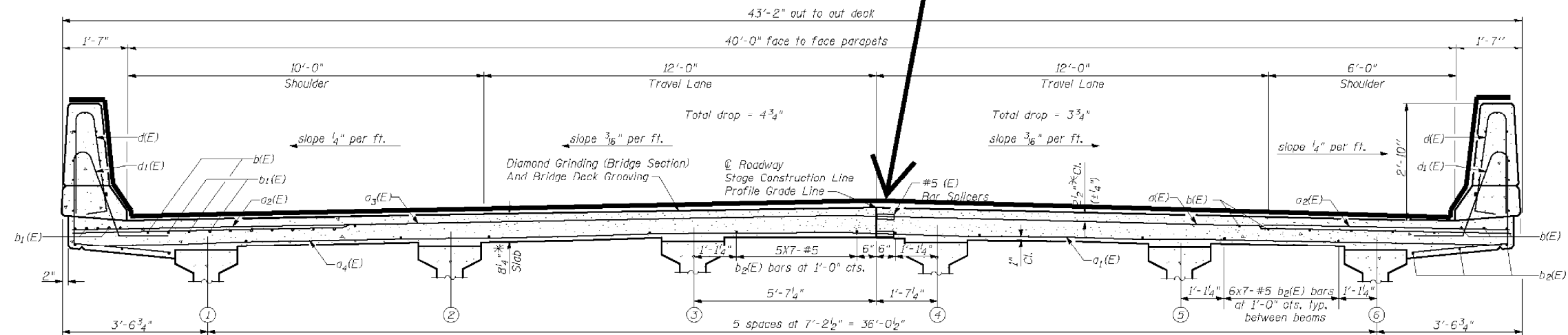
STATE OF ILLINOIS
DEPARTMENT OF TRANSPORTATION



PARTIAL PLAN

PROPOSED PROTECTIVE COAT APPLICATION

MIN. BAR LAP
#5 Bar = 1'-8"



NEAR PIER

TYPICAL SECTION; FOUR-LANE WITH PARAPET; DUAL STRUCTURES

NEAR MIDSPAN

SUPERSTRUCTURE
I-74 OVER LITTLE KICKAPOO CREEK
STRUCTURE NO. 057-0120
AND 057-0121

STRAND ASSOCIATES, INC.

DESIGNED	RRD
CHECKED	AJS
DRAWN	KAS
CHECKED	JAR

Notes:
See Sheet 12 of 27 for superstructure details and Bill of Material.
Bars indicated thus 20 x 3-#5 etc. Indicates 20 lines of bars with 3 lengths per line.
See Sheet 12 of 27 for parapet reinforcement.
See Sheet 27 of 27 for bar splicers details.
See Sheet 11 of 27 for diaphragm details.

CROSS SECTION
(Looking Upstation Westbound)
(Looking Downstation Eastbound)

* Prior to grinding

SHEET NO. 10 27 SHEETS	F.A.I. RTE.	SECTION	COUNTY	TOTAL SHEETS	SHEET NO.
	74	(57-21B)BR	MCLEAN	61	22
SUPERSTRUCTURE DETAILS (1 OF 3)			CONTRACT NO. 70641		
FED. ROAD DIST. NO. 7 ILLINOIS FED. AID PROJECT					

*FY2011 BRIDGE DECK SEALING
**CHAMPAIGN, MCLEAN & VERMILION

FILE NAME =	USER NAME = ceorlockjd	DESIGNED -	TJB	REVISED -	
ce:\pwk\work\p1dot\ceorlockjd\0185207\0570861-sht-details.dgn		DRAWN -	BBP	REVISED -	
PLOT SCALE = 40.0000' / IN.		CHECKED -		REVISED -	
PLOT DATE = 11/15/2010		DATE -	09/20/10	REVISED -	

STATE OF ILLINOIS
DEPARTMENT OF TRANSPORTATION

TYPICAL SECTION; FOUR-LANE WITH PARAPET;
DUAL STRUCTURES

SCALE: NONE SHEET NO. 3 OF 4 SHEETS STA. TO STA.

F.A.I. RTE.	SECTION	COUNTY	TOTAL SHEETS	SHEET NO.
74	*	**	19	8
CONTRACT NO. 70861				
ILLINOIS FED. AID PROJECT				