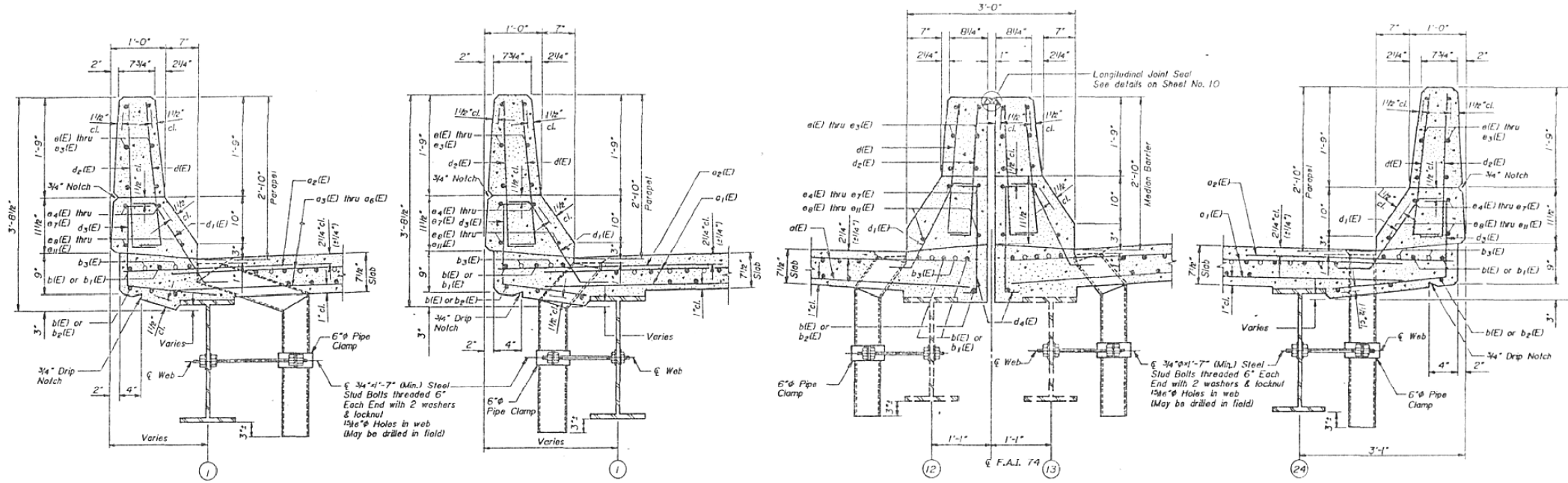


STATE OF ILLINOIS
DEPARTMENT OF TRANSPORTATION

| | | | | |
|-----------------------|------------------|-----------|--------------|-----------|
| ROUTE NO. | SECTION | COUNTY | TOTAL SHEETS | SHEET NO. |
| F.A.I. 74 | 04HB-2BR | CHAMPAIGN | 140 | 66 |
| FED. ROAD DIST. NO. 7 | ILLINOIS PROJECT | | | SHEET 23 |



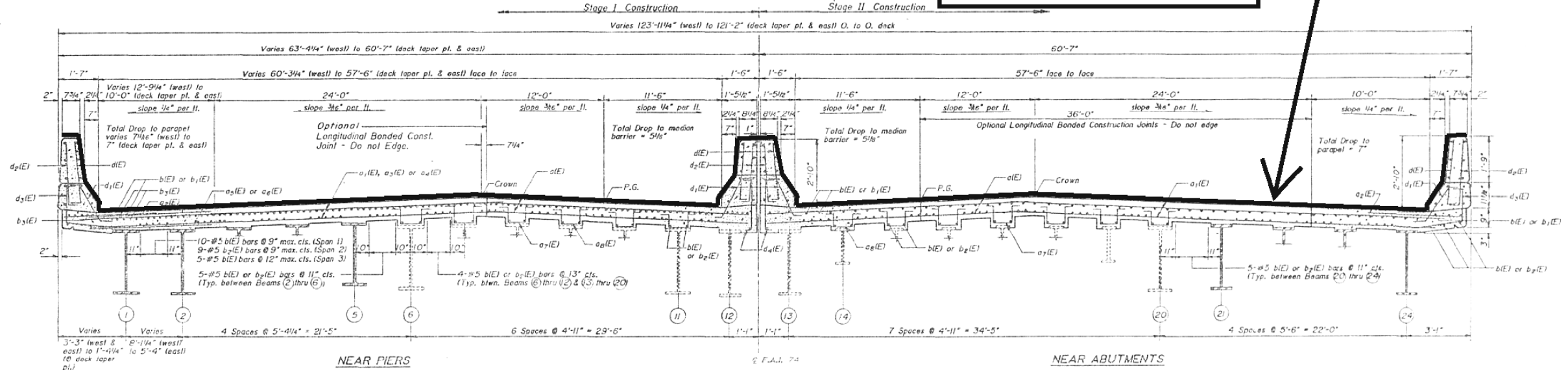
SECTION THRU NORTH PARAPET @ WEST DRAINS

SECTION THRU NORTH PARAPET @ EAST DRAINS

SECTION THRU MEDIAN BARRIER

SECTION THRU SOUTH PARAPET

PROPOSED PROTECTIVE COAT APPLICATION



NEAR PIERS

CROSS SECTION (Looking East)

NEAR ABUTMENTS

TYPICAL SECTION THRU CHAMPAIGN; SIX-LANE

SUPERSTRUCTURE DETAILS I

F.A.I. ROUTE 74
OVER MARKET STREET
SECTION 04HB-2) BR
CHAMPAIGN COUNTY
STA. 1200+06.10

BASCOR, INC.
consulting engineers and planners

| | |
|-----------|-----|
| DESIGNED: | GSP |
| CHECKED: | HE |
| DRAWN: | SAW |
| CHECKED: | GSP |

*FY2011 BRIDGE DECK SEALING
**CHAMPAIGN, MCLEAN & VERMILION

| | | | | | |
|--|------------------------|------------|----------|-----------|--|
| FILE NAME = | USER NAME = ceorlockjd | DESIGNED - | TJB | REVISED - | |
| ce:\pwk\work\p\dot\ceorlockjd\0185207\070861-sht-details.dgn | | DRAWN - | BBP | REVISED - | |
| PLOT SCALE = 40.0000' / IN. | | CHECKED - | | REVISED - | |
| PLOT DATE = 11/15/2010 | | DATE - | 09/20/10 | REVISED - | |

STATE OF ILLINOIS
DEPARTMENT OF TRANSPORTATION

| | | | | | |
|--|--|-------------|-------------------------|------|---------|
| TYPICAL SECTION THRU CHAMPAIGN; SIX-LANE | | SCALE: NONE | SHEET NO. 1 OF 4 SHEETS | STA. | TO STA. |
|--|--|-------------|-------------------------|------|---------|

| | | | | |
|---------------------------|---------|--------|--------------|-----------|
| F.A.I. RTE. | SECTION | COUNTY | TOTAL SHEETS | SHEET NO. |
| 74 | . | ** | 19 | 6 |
| CONTRACT NO. 70861 | | | | |
| ILLINOIS FED. AID PROJECT | | | | |