

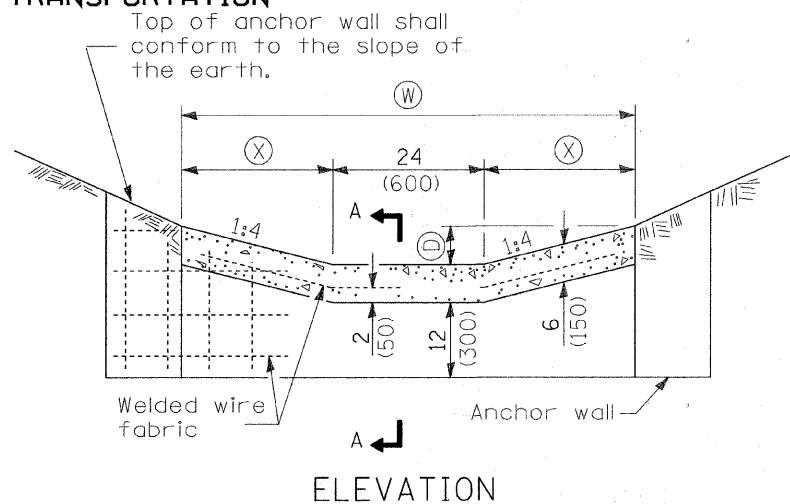
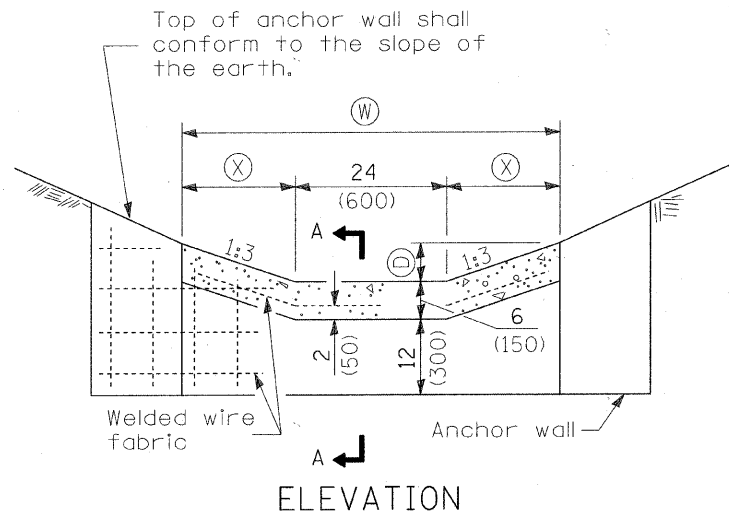
MCHENRY COUNTY

TABLE FOR PAVED DITCH TYPE A DIVISION OF TRANSPORTATION

TYPE	(D)	(W)	(X)	Flow Area sq. ft. (m ²)	Conc. Area sq. yd. (m ²)
A-15	6 (150)	5'-0" (1.5 m)	18 (450)	1.75 (0.175)	0.278 (0.225)
A-22	9 (225)	6'-6" (1.95 m)	27 (675)	3.19 (0.287)	0.361 (0.293)
A-30	12 (300)	8'-0" (2.4 m)	36 (900)	5.00 (0.450)	0.444 (0.360)
A-37	15 (375)	9'-6" (2.85 m)	3'-9" (1.12 m)	7.19 (0.645)	0.528 (0.426)
A-45	18 (450)	11'-0" (3.3 m)	4'-6" (1.35 m)	9.75 (0.877)	0.611 (0.495)
A-52	21 (525)	12'-6" (3.75 m)	5'-3" (1.58 m)	12.69 (1.144)	0.694 (0.564)
A-60	24 (600)	14'-0" (4.2 m)	6'-0" (1.8 m)	16.00 (1.440)	0.778 (0.630)

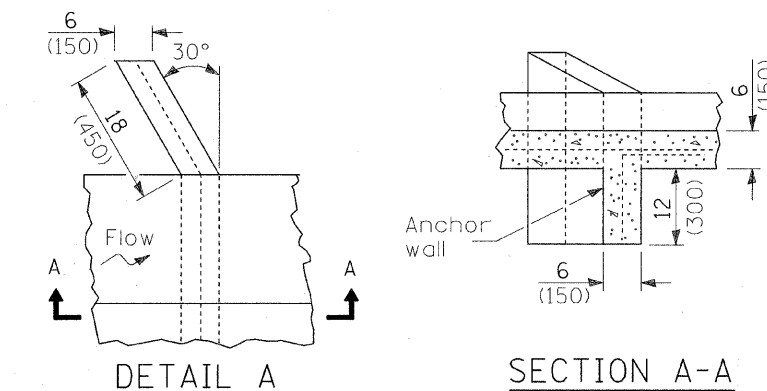
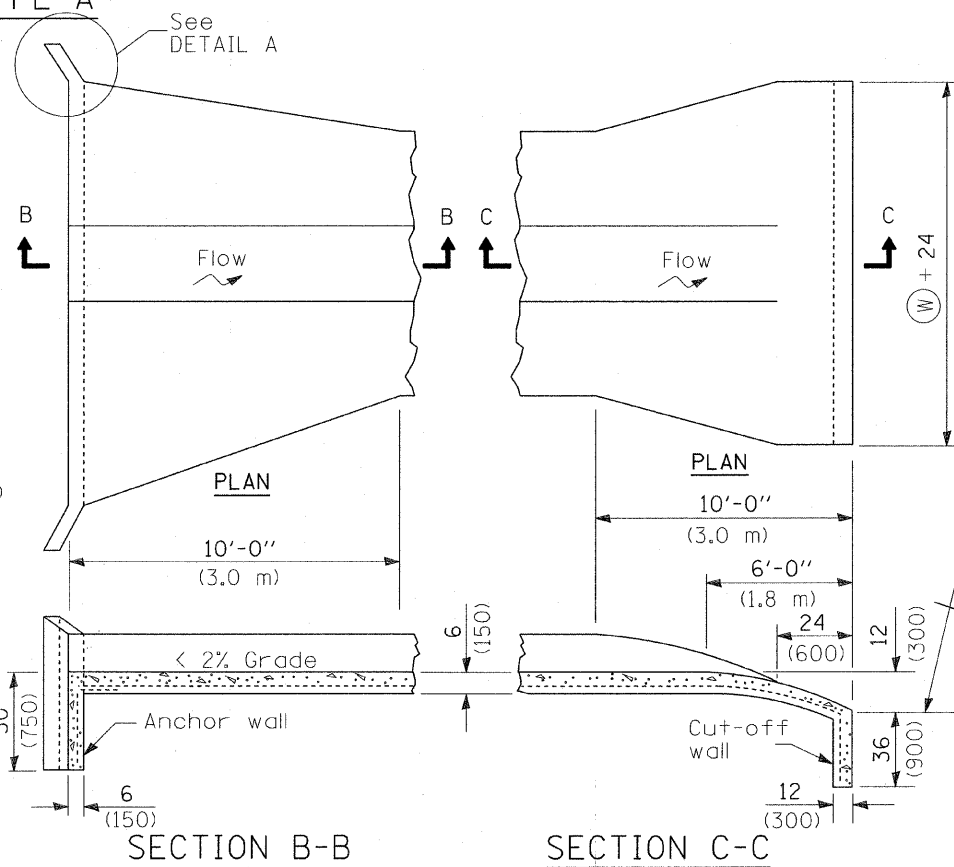
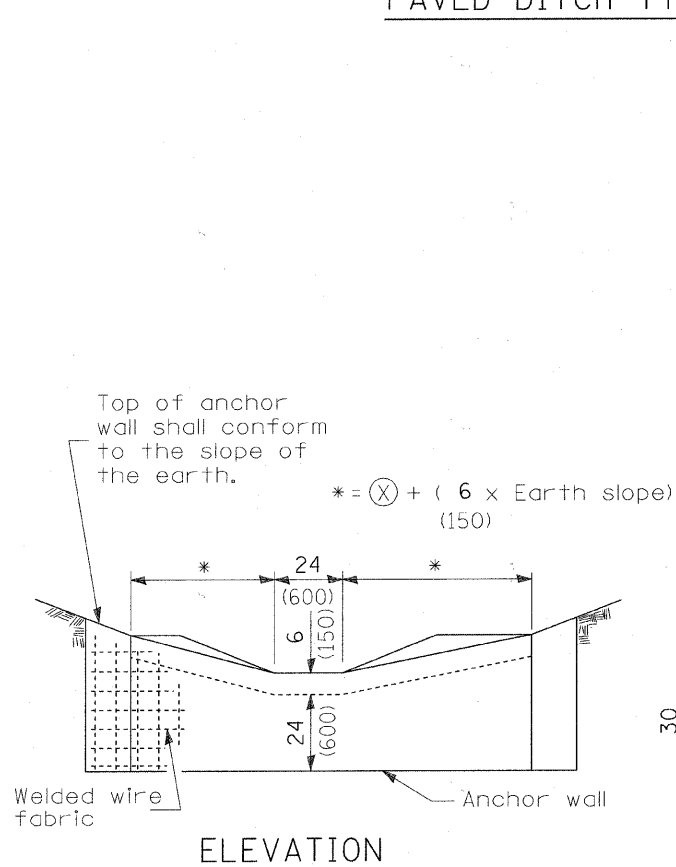
TABLE FOR PAVED DITCH TYPE B

TYPE	(D)	(W)	(X)	Flow Area sq. ft. (m ²)	Conc. Area sq. yd. (m ²)
B-15	6 (150)	6'-0" (1.8 m)	24 (600)	2.00 (0.180)	0.333 (0.270)
B-22	9 (225)	8'-0" (2.4 m)	36 (900)	3.75 (0.337)	0.444 (0.360)
B-30	12 (300)	10'-0" (3.0 m)	4'-0" (1.2 m)	6.00 (0.540)	0.555 (0.450)
B-37	15 (375)	12'-0" (3.6 m)	5'-0" (1.5 m)	8.75 (0.787)	0.667 (0.540)
B-45	18 (450)	14'-0" (4.2 m)	6'-0" (1.8 m)	12.00 (1.080)	0.778 (0.630)
B-52	21 (525)	16'-0" (4.8 m)	7'-0" (2.1 m)	15.75 (1.417)	0.889 (0.720)
B-60	24 (600)	18'-0" (5.4 m)	8'-0" (2.4 m)	20.00 (1.800)	1.000 (0.810)



PAVED DITCH TYPE A

PAVED DITCH TYPE B



DETAIL OF ANCHOR WALL

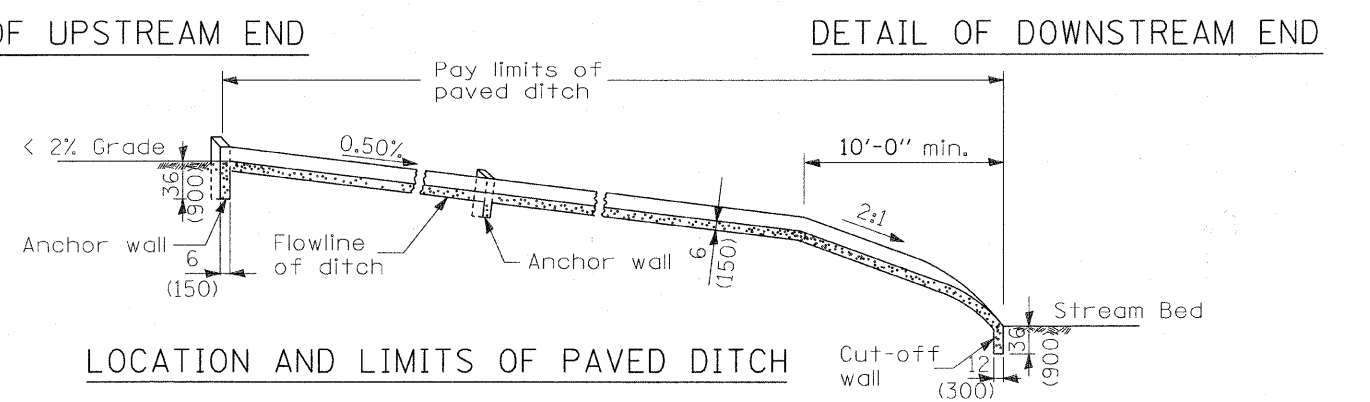
GENERAL NOTES

Construction joints between paved ditch and adjacent sections of existing or proposed slope wall shall be filled with preformed joint filler, according to the requirements of article 503.10(b) of the standard specifications. Cost included with paved ditch, type a-45 (special).

All slopes are expressed as of vertical displacement to units of horizontal displacement (V:H).

All dimensions are in inches (millimeters) unless otherwise shown.

PAVED DITCH, TYPE A-45 (SPECIAL)



LOCATION AND LIMITS OF PAVED DITCH

DESIGNED	BLB
CHECKED	AS
DRAWN	BCD
CHECKED	BLB

SHEET NO. 1 1 SHEETS	F.A.S. RTE.	SECTION	COUNTY	TOTAL SHEETS	SHEET NO.
	0034	06-00320-02-BR	MCHENRY	65	52
CONTRACT NO. 63536			JOB NO. C-91-140-11 ILLINOIS FED. AID PROJECT BRS-0034(107)		

COPYRIGHT © 2000 BY BAYTER & WOODMAN, INC.
 STATE OF ILLINOIS - PROFESSIONAL DESIGN FIRM
 15600 S. WOODHURST AVE., SUITE 100, CHICAGO, IL 60640
 TEL: (773) 499-1000 FAX: (773) 499-1001
 WWW.BAYTERANDWOODMAN.COM