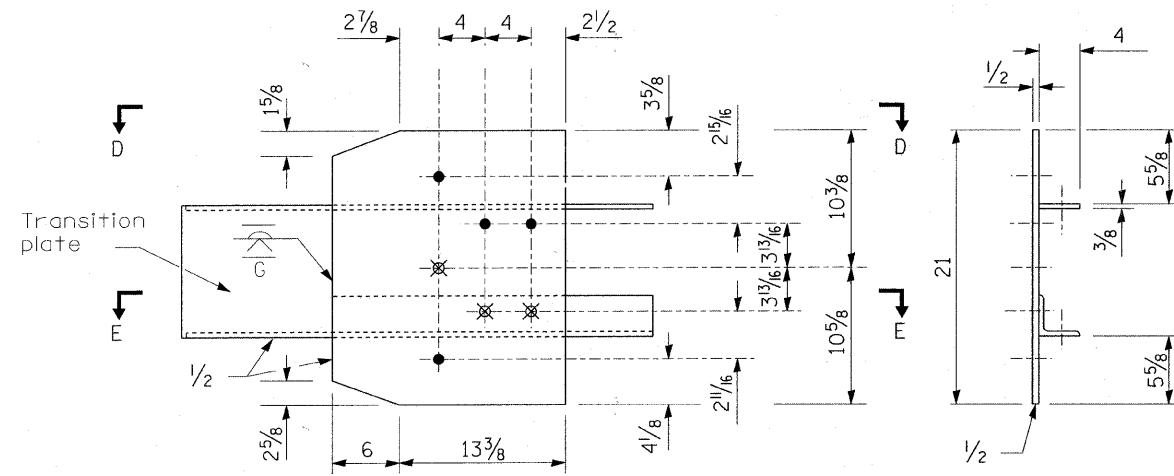


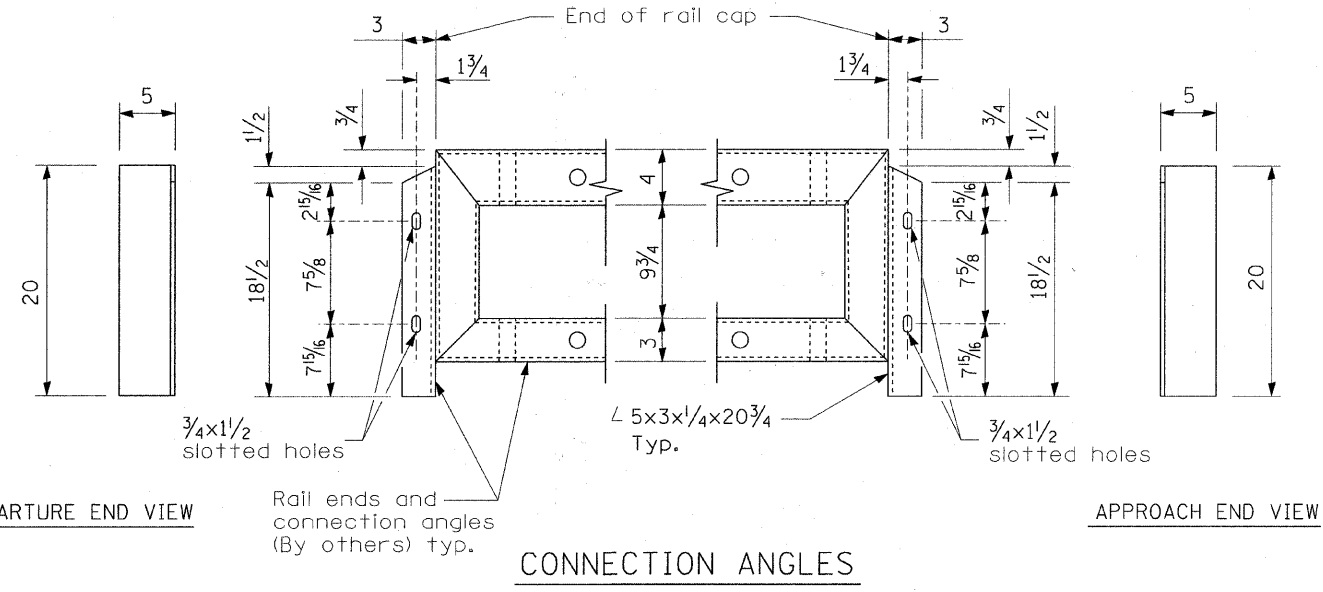
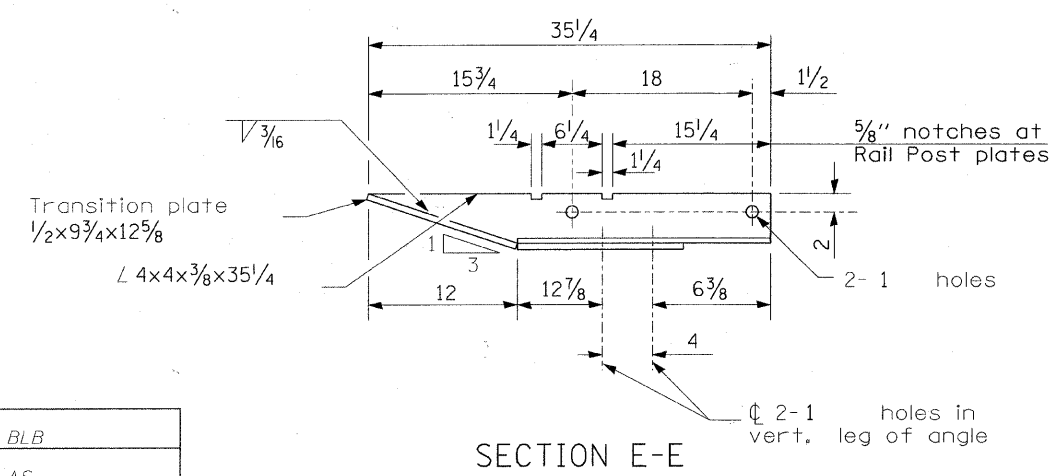
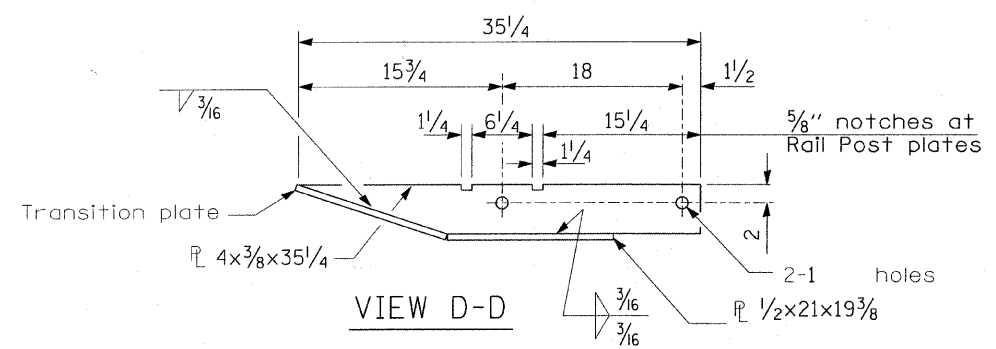
MCHENRY COUNTY  
DIVISION OF TRANSPORTATION



- 4-1 holes for 7/8 H.S. bolts and nuts
- ⊗ Drill and tap 3 holes for 7/8 H.S. bolts.

LEGEND

GUARDRAIL CONNECTION PLATE ASSEMBLY DETAILS  
(Mirror for opposite end)



TRAFFIC BARRIER TERMINAL  
TYPE 6A (SPECIAL)  
STRUCTURE NO. 056-3178

DESIGNED	BLB
CHECKED	AS
DRAWN	BCD
CHECKED	BLB

SHEET NO. 3 3 SHEETS	F.A.S. RTE.	SECTION	COUNTY	TOTAL SHEETS	SHEET NO.
	0034	06-00320-02-BR	MCHENRY	65	51
CONTRACT NO. 63536					
JOB NO. C-91-140-11		ILLINOIS	FED. AID PROJECT	BRS-0034(107)	

COPYRIGHT © 2000 BY BAYTER & WOODMAN, INC.  
 STATE OF ILLINOIS - PROFESSIONAL DESIGN FIRM  
 5555 S. W. 111th Street, Suite 100, Mokena, IL 60449-1000  
 815/221-2000 FAX 815/221-2001  
 ...:\peter\ver\pwp\22x48p\tdge.dwg  
 ...:\peter\ver\pwp\22x48p\tdge.dwg  
 ...:\peter\ver\pwp\22x48p\tdge.dwg