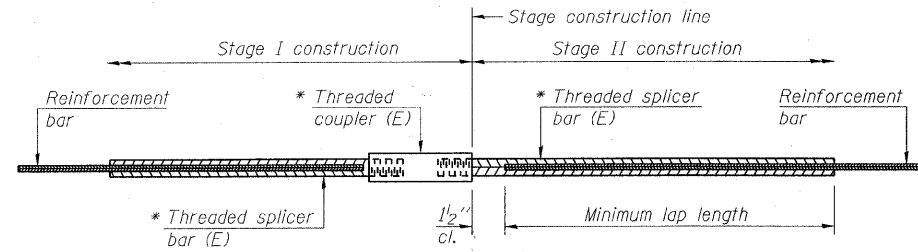


MCHENRY COUNTY
DIVISION OF TRANSPORTATION



STANDARD BAR SPLICER ASSEMBLY

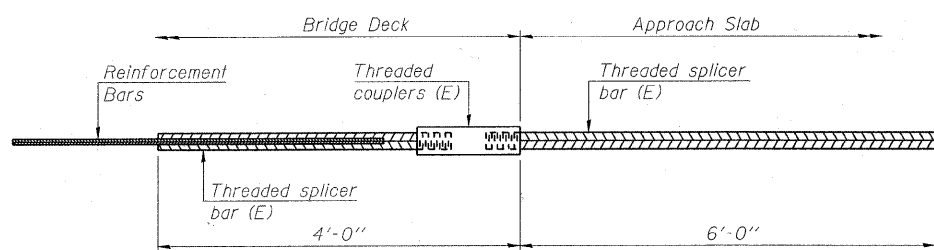
Bar size to be spliced	Minimum Lap Lengths			
	Table 1	Table 2	Table 3	Table 4
3, 4	1'-5"	1'-11"	2'-1"	2'-4"
5	1'-9"	2'-5"	2'-7"	2'-11"
6	2'-1"	2'-11"	3'-1"	3'-6"
7	2'-9"	3'-10"	4'-2"	4'-8"
8	3'-8"	5'-1"	5'-5"	6'-2"
9	4'-7"	6'-5"	6'-10"	7'-9"

Table 1: Black bar, 0.8 Class C
 Table 2: Black bar, Top bar lap, 0.8 Class C
 Table 3: Epoxy bar, 0.8 Class C
 Table 4: Epoxy bar, Top bar lap, 0.8 Class C

Threaded splicer bar length = min. lap length + 1 1/2" + thread length

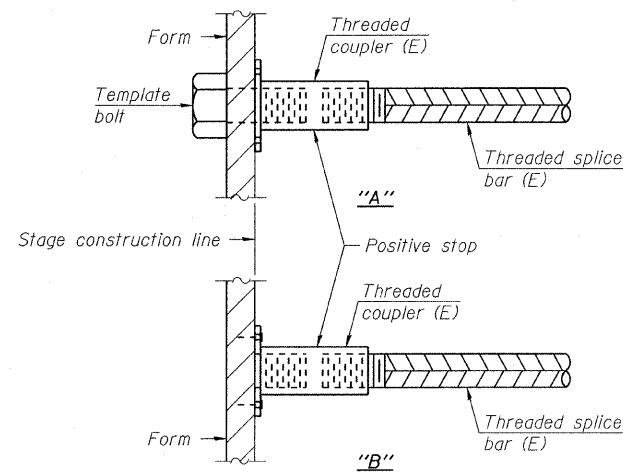
* Epoxy not required on Bar Splicer Assembly components used in conjunction with black bars.

Location	Bar size	No. assemblies required	Table for minimum lap length



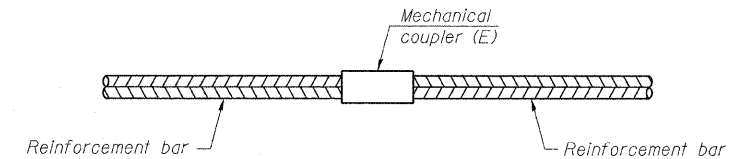
BAR SPLICER ASSEMBLY FOR #5 BAR ON INTEGRAL OR SEMI-INTEGRAL ABUTMENTS

No. required = 88



INSTALLATION AND SETTING METHODS

"A" : Set bar splicer assembly by means of a template bolt.
 "B" : Set bar splicer assembly by nailing to wood forms or cementing to steel forms.
 (E) : Indicates epoxy coating.

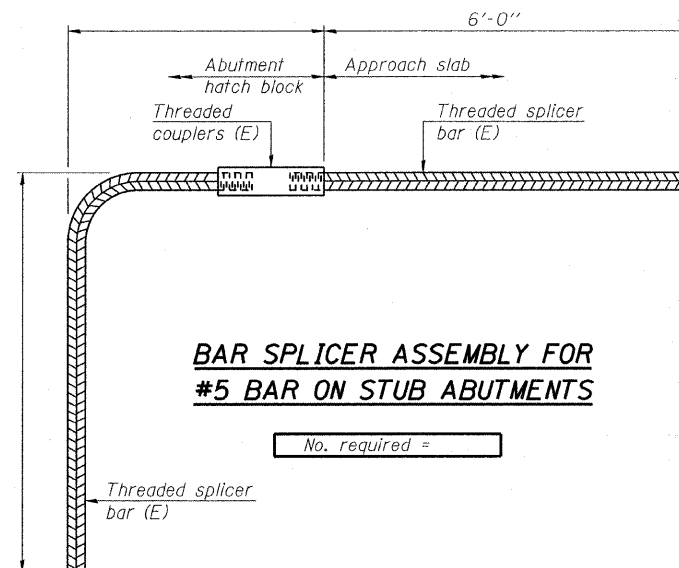


STANDARD MECHANICAL SPLICER

Location	Bar size	No. assemblies required

NOTES

Splicer bars shall be deformed with threaded ends and have a minimum 60 ksi yield strength.
 All reinforcement shall be lapped and tied to the splicer bars.
 Bar splicer assemblies shall be epoxy coated according to the requirements for reinforcement bars. See Section 508 of the Standard Specifications.
 See approved list of bar splicer assemblies and mechanical splicers for alternatives.



BAR SPLICER ASSEMBLY FOR #5 BAR ON STUB ABUTMENTS

No. required =

**BAR SPLICER ASSEMBLY AND MECHANICAL SPLICER DETAILS
STRUCTURE NO. 056-3178**

DESIGNED	BLB
CHECKED	AS
DRAWN	BCD
CHECKED	BLB

SHEET NO. 21 23 SHEETS	F.A.S. RTE. 0034	SECTION 06-00320-02-BR	COUNTY MCHENRY	TOTAL SHEETS 65	SHEET NO. 46
	CONTRACT NO. 63536			JOB NO. C-91-140-11 ILLINOIS FED. AID PROJECT BRS-0034(107)	

COPYRIGHT © 2006 BY BAXTER & WOODMAN, INC.
 STATE OF ILLINOIS - PROFESSIONAL ENGINEERING FIRM
 1100 N. WASHINGTON ST., SUITE 200, DEERFIELD, IL 60015
 TEL: 847-434-2200 FAX: 847-434-2201
 www.baxterandwoodman.com