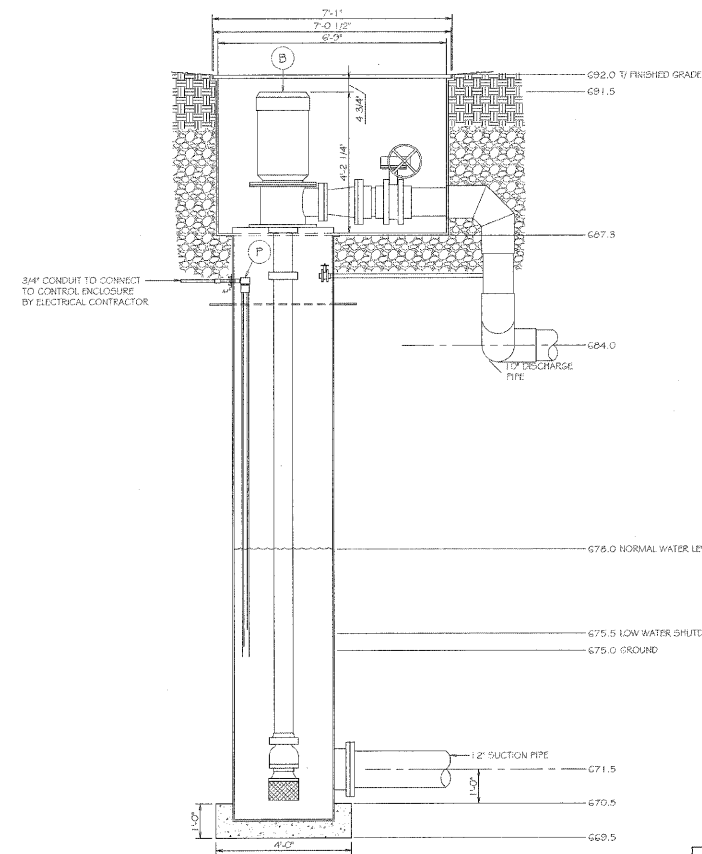
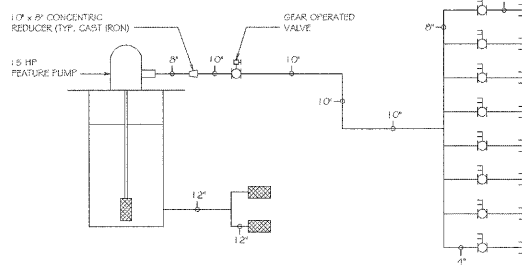


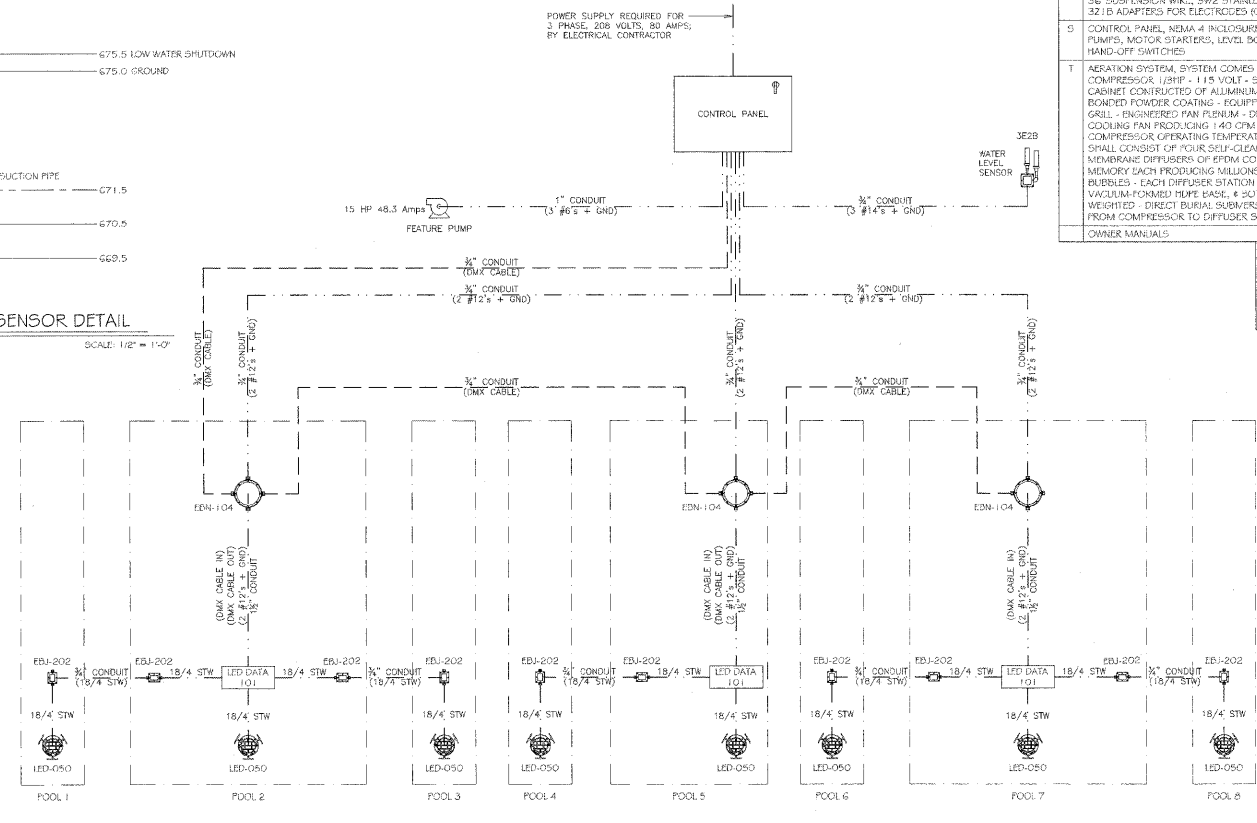
STATE OF ILLINOIS
DEPARTMENT OF TRANSPORTATION



1 FIBERGLASS PUMP PIT AND LEVEL SENSOR DETAIL
SCALE: 1/2" = 1'-0"



2 WATER FEATURE PLUMBING SCHEMATIC
SCALE: NOT TO SCALE



3 WATER FEATURE ELECTRICAL DIAGRAM
NOT TO SCALE

ORLAND PARK TRIANGLE WATER FEATURE
EQUIPMENT LIST

ITEM	DESCRIPTION	MANUFACTURER	CATALOG NO.	QTY.
A	DIRECT BURIAL HEAVY-DUTY FIBERGLASS PUMP PIT, UNIT TO BE SUPPLIED WITH 3/4\"/>	FOUNTAIN TECH.	FTP-360	1
B	1.5 HP FEATURE PUMP, 208 VOLT, THREE PHASE, 48.3 FULL LOAD AMPS, 6400 GPM @ 3' HEAD	GRSWOLD	GJ111C 15 T	1
C	CUSTOM FABRICATED FIBER GLASS VALVE BONDS	FOUNTAIN TECH.	CUSTOM	6
D	SCREEN, UNIT SHALL BE CUSTOM FABRICATED STAINLESS STEEL SCREEN SUCTION FITTING, 12\"/>	FOUNTAIN TECH.	CUSTOM	2
E	POOL DRAIN, BODY SHALL BE CAST-BRONZE, REVERSIBLE CLAMP COLLAR, ADJUSTABLE EXTENSION, AND FLUG WITH TAPERED WATER-TIGHT GIP, 2\"/>	FOUNTAIN TECH.	DPB-200	6
F	INLET SLEEVE FITTING, CONSTRUCTION OF SLEEVE FITTING SHALL BE CAST BRONZE WITH STAINLESS STEEL FASTENERS, 4\"/>	FOUNTAIN TECH.	DTS-400	6
G	UNDERWATER LED LIGHT, CONSTRUCTION OF HOUSING AND RESIN GASKET SHALL BE CAST BRONZE, COME COMPLETE WITH U-SHAPED MOLDED GASKET, PORCELAIN MOGUL END PRONG SOCKET, ALL FASTENERS SHALL BE STAINLESS STEEL	FOUNTAIN TECH.	LEEQ050P	6
H	LED LAMP NARROW SPOT, 24V/25W	FOUNTAIN TECH.	LEEQ050S	6
I	LED POWER DATA SUPPLY	FOUNTAIN TECH.	LEEQDATA101	3
J	LED PLAYER	FOUNTAIN TECH.	LEEQJUE	1
K	2 POSITION JUNCTION BOX, BODY SHALL BE CAST BRONZE WITH NEOPRENE COVER GASKET, STAINLESS STEEL FASTENERS AND INTERNAL GROUND CONNECTION	FOUNTAIN TECH.	EBJ-202	10
L	O-RING SEALS, THREADED CONNECTOR, COMPRESSION NUT AND FRICTION WASHER SHALL BE CAST-BRONZE WITH NEOPRENE MOLDED COMPRESSION SEAL	FOUNTAIN TECH.	EGS-052	16
M	4 POSITION FLUSH MOUNTED JUNCTION BOX, BODY SHALL BE CAST BRONZE WITH NEOPRENE COVER GASKET, STAINLESS STEEL FASTENERS AND INTERNAL GROUND CONNECTION	FOUNTAIN TECH.	EBN-104	3
N	FLUSH MOUNTED JUNCTION BOX O-RING SEAL, THREADED CONNECTOR, COMPRESSION NUT AND FRICTION WASHER SHALL BE CAST BRONZE WITH NEOPRENE MOLDED COMPRESSION SEAL	FOUNTAIN TECH.	EGN-075	6
O	ELECTRICAL STUB UP, STUB UP PIPE SHALL BE RED BRASS WITH CAST BRONZE FLANGE SOLDERED TO PIPE AND STAINLESS STEEL FASTENERS	FOUNTAIN TECH.	EPA-150	3
P	ELECTRICAL STUB UP, STUB UP PIPE SHALL BE RED BRASS WITH CAST BRONZE FLANGE SOLDERED TO PIPE AND STAINLESS STEEL FASTENERS	FOUNTAIN TECH.	EPA-075	10
Q	POTTING COMPOUND, WATERPROOF GEL, WIRE CONNECTION SEALANT	FOUNTAIN TECH.	CUSTOM	6
R	GENERAL-PURPOSE MULTI-PROBE LEVEL SENSOR, BODY SHALL BE BRASS, PRESSURE TIGHT ASSEMBLY SIZED TO ACCOMMODATE 2 PROBES, 32 A 3/8\"/>	WARRICK CONTROLS	3E2E 321A - 36\"/>	1
S	CONTROL PANEL, NEMA 4 ENCLOSURE, SUPPLIED WITH TIME CLOCK FOR PUMPS, MOTOR STARTERS, LEVEL BOARD, RELAYS, AND ALL REQUIRED HAND-OFF SWITCHES	FOUNTAIN TECH.	CUSTOM	1
T	AERATION SYSTEM, SYSTEM COMES WITH A BRODAUCOOD COMPRESSOR, 1/2HP - 115 VOLT - SINGLE PHASE, QUIETAIR AIR, 1XL CABINET CONSTRUCTED OF ALUMINUM WITH GRAY ELECTROSTATICALLY BROWNED POWER COATING - EQUIPPED WITH A STAMPED VENTILATION GRILL - ENGINEERED PAN FULNEM - DIRECTED EXHAUST AND AN INTEGRAL COOLING FAN PRODUCING 140 CFM TO GUARD AGAINST EXCESSIVE COMPRESSOR OPERATING TEMPERATURES, AIRATION ASSEMBLY SHALL CONSIST OF FOUR SELF-CLEANING 9\"/>	VERTEX	AIR XL	1
	OWNER MANUALS	FOUNTAIN TECH.	CUSTOM	3

NOTE:
FOR EQUIPMENT SUPPLY AND INSTALLATION CONTACT:
FOUNTAIN TECHNOLOGIES, LTD.
300 INDUSTRIAL LANE, WHEELING, ILLINOIS 60090
MR. ROBERT WATSON
TEL: (847) 537-3677
FAX: (847) 537-9904



Creating Better Places®
221 West Jefferson Avenue
Naperville, Illinois 60540
T 630.961.1787
F 630.961.9925

PREPARED FOR
LR Contracting Company
737 North Michigan Ave.
Suite 300
Chicago, IL 60611

PROJECT
Orland Park Triangle - Phase 1
Orland Park, Illinois

PROJECT NUMBER
01-0733-001-R01-01-06

CONSULTANTS
FOUNTAIN TECHNOLOGIES
300 INDUSTRIAL LANE
WHEELING, IL 60090
TEL: (847) 537-3677
FAX: (847) 537-9904

ISSUED FOR CONSTRUCTION
November 20, 2006

REVISIONS	No.	Date	Issue
	1	04-02-07	Revised Plans
	2	04-24-07	For Construction

DRAWN BY
BW / RH
CHECKED BY
BW

SHEET TITLE
WATER FEATURE DETAILS

SCALE IN FEET
as noted



SHEET NUMBER
FT-1

DESIGNED	AMV
CHECKED	JCE
DRAWN	AMV
CHECKED	JCE

FOR INFORMATION ONLY



Engineers / Architects
130 East Randolph Street Chicago, Illinois 60601

SHEET NO. 13	F.A.P RTE.	SECTION	COUNTY	TOTAL SHEETS	SHEET NO.
	330	73 R-B	COOK	136	102
23 SHEETS	CONTRACT NO. 60K64				
DATE: 12/17/10	ILLINOIS	FED. AID PROJECT			