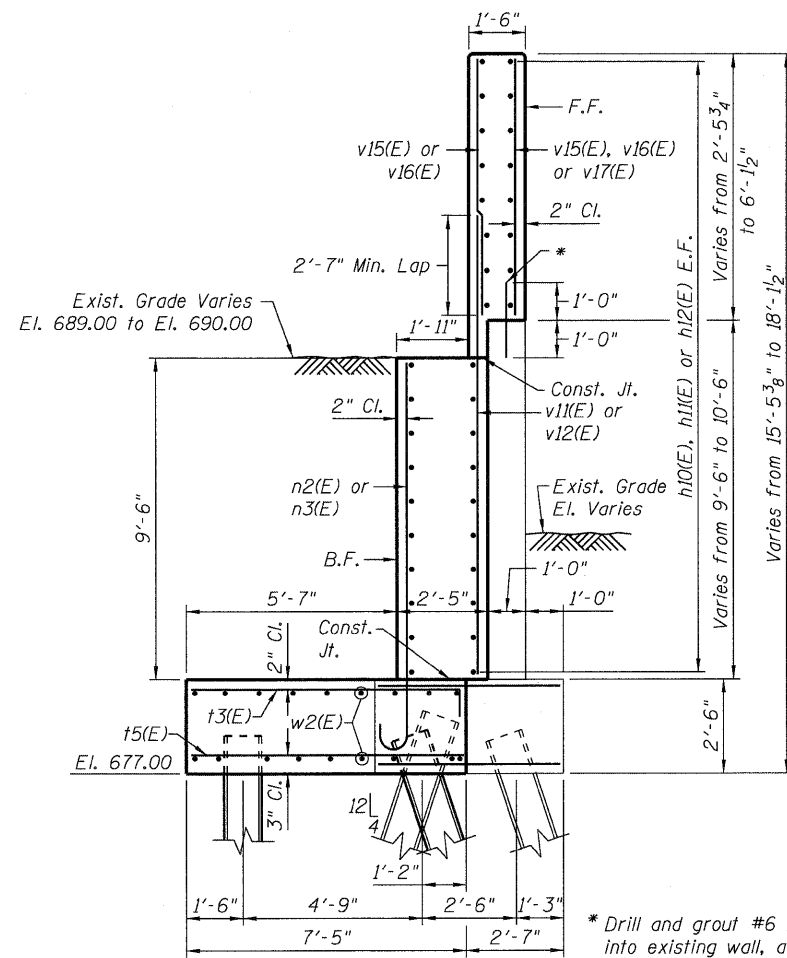
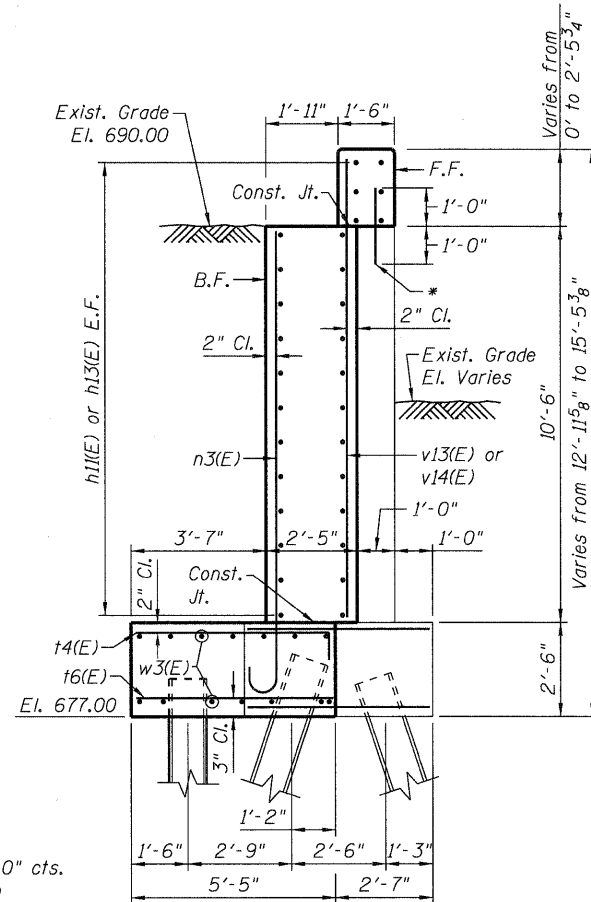


STATE OF ILLINOIS  
DEPARTMENT OF TRANSPORTATION

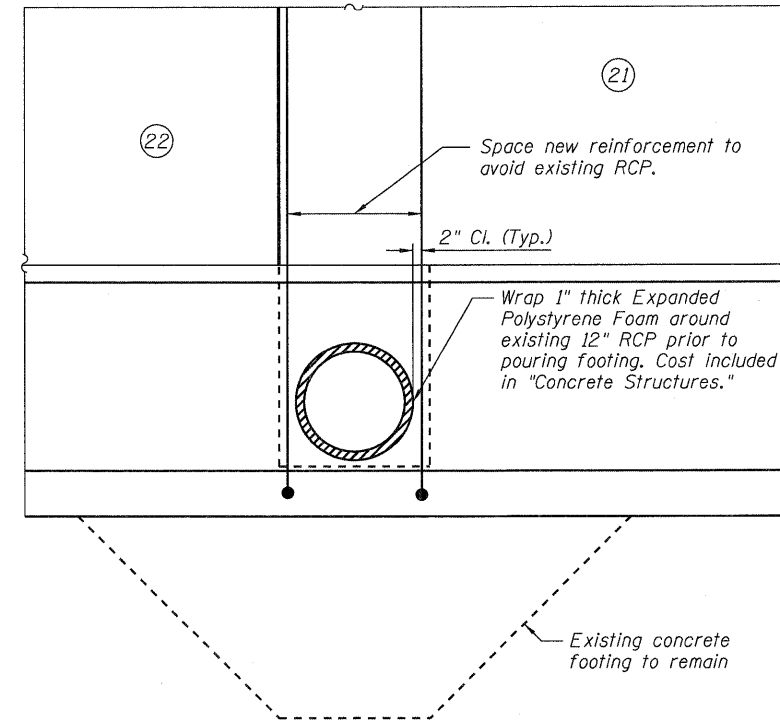


**SECTION D-D**  
Panels 20 thru 22

\* Drill and grout #6 bars at 1'-0" cts. into existing wall, according to Section 584 of the Standard Specifications. Cost included in "Concrete Structures."

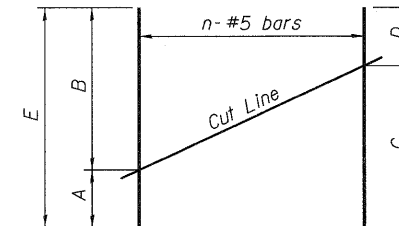


**SECTION E-E**  
Panels 23 & 24



**DETAIL B**

Note: Location estimated, Contractor to verify in field.

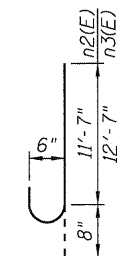


**v12(E), v13(E), v14(E) & v17(E) BARS**  
**FIELD CUTTING DIAGRAM**  
Order bars full length and cut as shown.

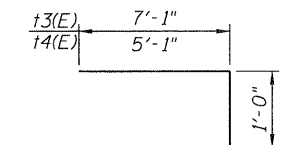
Bar	A	B	C	D	E	n
v12(E)	12'-6"	14'-4"	13'-5"	13'-5"	26'-10"	13
v13(E)	10'-10"	12'-6"	11'-8"	11'-8"	23'-4"	13
v14(E)	10'-0"	10'-10"	10'-5"	10'-5"	20'-10"	5
v17(E)	2'-1"	3'-11"	3'-0"	3'-0"	6'-0"	13

**BILL OF MATERIAL**

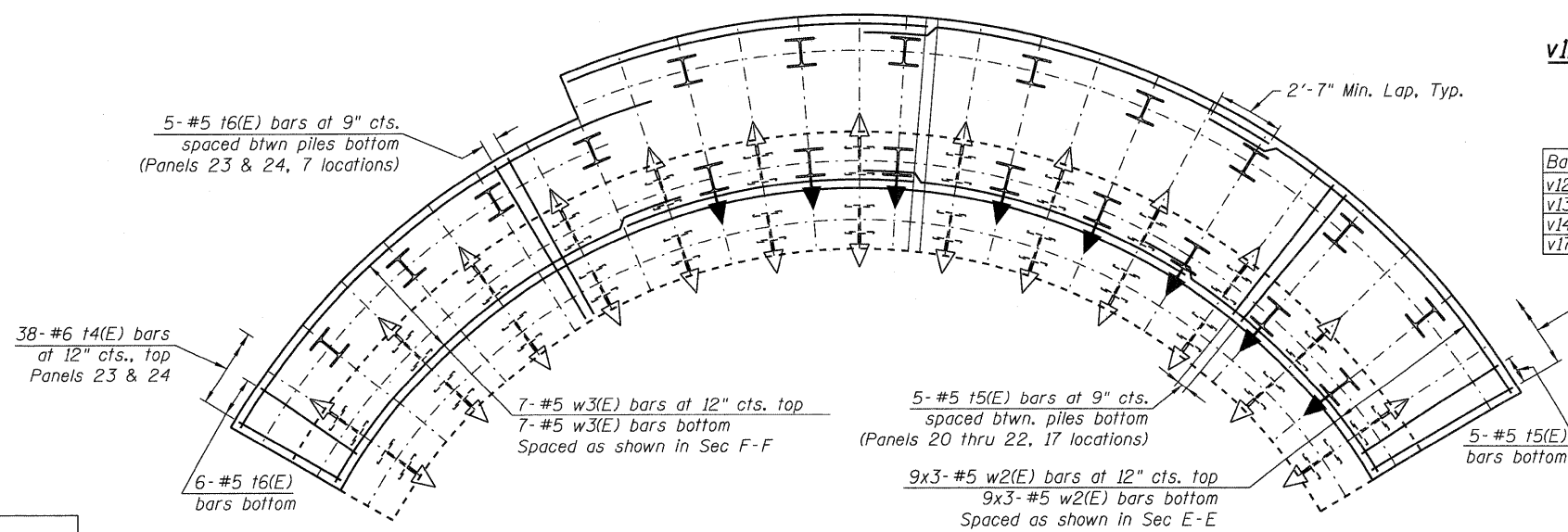
Bar	No.	Size	Length	Shape
h10(E)	34	#5	23'-6"	—
h11(E)	62	#5	26'-9"	—
h12(E)	32	#5	23'-8"	—
h13(E)	24	#5	11'-7"	—
n2(E)	50	#6	12'-3"	—
n3(E)	60	#6	13'-3"	—
t3(E)	112	#6	8'-1"	—
t4(E)	38	#6	6'-1"	—
t5(E)	90	#5	7'-1"	—
t6(E)	41	#5	5'-1"	—
v11(E)	49	#5	13'-3"	—
v12(E)	13	#5	26'-10"	—
v13(E)	13	#5	23'-4"	—
v14(E)	5	#5	20'-10"	—
v15(E)	50	#5	5'-9"	—
v16(E)	50	#5	5'-2"	—
v17(E)	13	#5	6'-0"	—
w2(E)	54	#5	29'-7"	—
w3(E)	14	#5	39'-6"	—
Concrete Removal		Cu. Yd.	25	
Structure Excavation		Cu. Yd.	361	
Concrete Structures		Cu. Yd.	190.1	
Reinforcement Bars, Epoxy Coated		Pound	12,710	
Furnishing Steel Piles HP12x53		Foot	739	
Driving Piles		Foot	739	
Test Pile Steel HP12x53		Each	1	



**BARS n2(E) & n3(E)**



**BARS t3(E) & t4(E)**



**FOOTING PLAN**  
(Reinforcement Layout)

DESIGNED	PMH
CHECKED	KJH
DRAWN	PMH
CHECKED	KJH

**McDonough Associates Inc.**  
Engineers / Architects  
130 East Randolph Street Chicago, Illinois 60601

SHEET NO. 6 23 SHEETS	F.A.P RTE. 330	SECTION 73 R-B	COUNTY COOK	TOTAL SHEETS 136	SHEET NO. 95
	CONTRACT NO. 60K64				
DATE: 12/17/10		ILLINOIS FED. AID PROJECT			