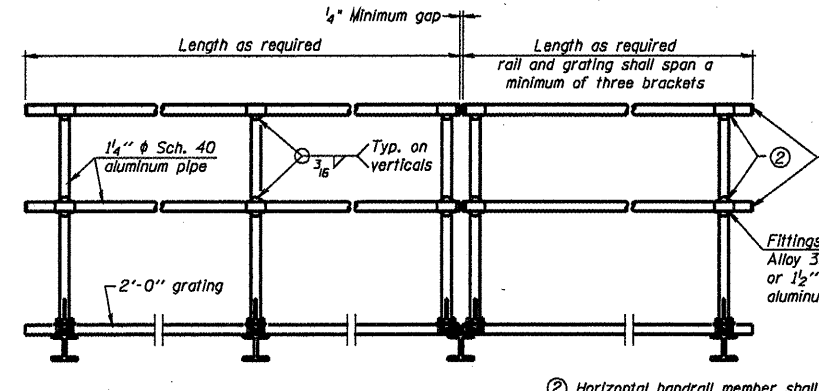


**SIDE ELEVATION**  
(Showing safety chain w/o sign)



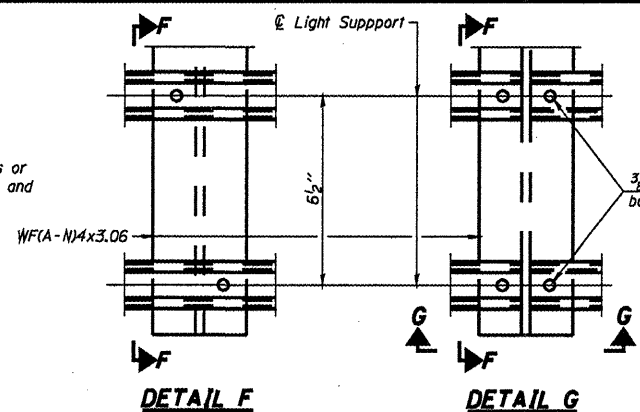
**FRONT ELEVATION**

**HANDRAIL DETAILS**

Handrail pipe shall be ASTM B241 or B429, Alloy 6063-T6 or Alloy 6061-T6.

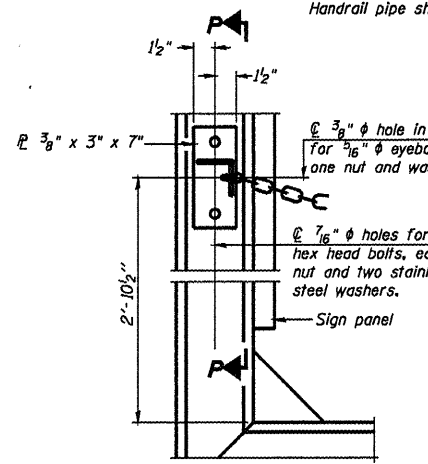
① Install standard force-fit end caps or weld  $\frac{1}{8}$ " end plates with  $\frac{1}{8}$ " c.f.w. and grind smooth. (All rail ends)

② Horizontal handrail member shall be continuous thru fitting. Provide  $\frac{1}{16}$ " hole in fitting for  $\frac{3}{8}$ " bolt. Field drill  $\frac{1}{16}$ " hole in horizontal rail member. Provide locknut and two stainless steel washers for bolt. (Use  $\frac{5}{16}$ " eyebolts in  $\frac{1}{16}$ " holes on top rail at ends only.)

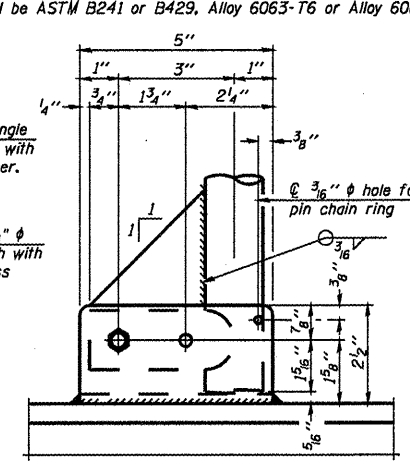


**DETAIL F**

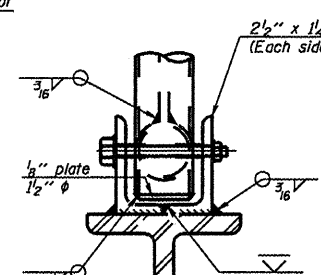
**DETAIL G**



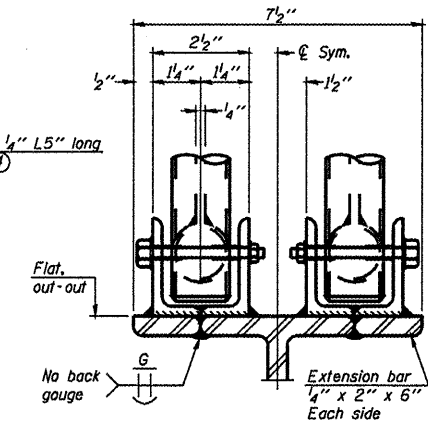
**ALTERNATE SAFETY CHAIN ATTACHMENT**  
(With Sign Present)  
Items not shown same as "Side Elevation" of "Handrail Details"



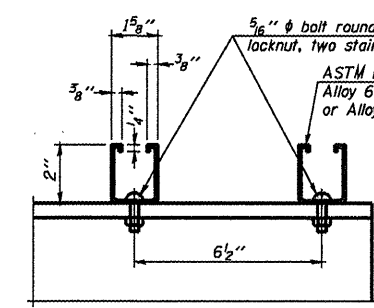
**SIDE ELEVATION**



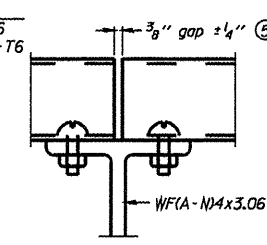
**FRONT ELEVATION**  
See "Elevation" at right for dimensions.



**ELEVATION AT HANDRAIL JOINT ④**



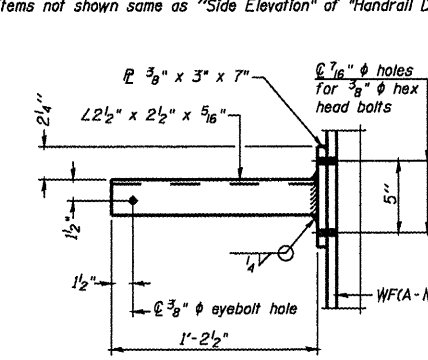
**SECTION F-F**



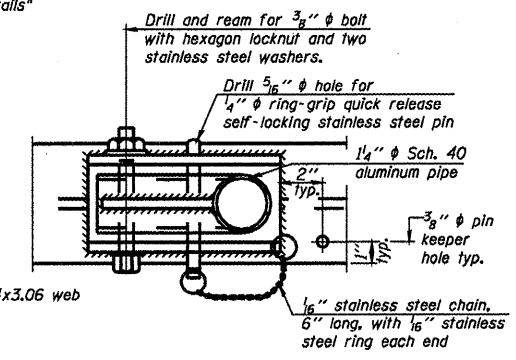
**SECTION G-G**

**LIGHTING FIXTURE MOUNTS (IF REQUIRED)**

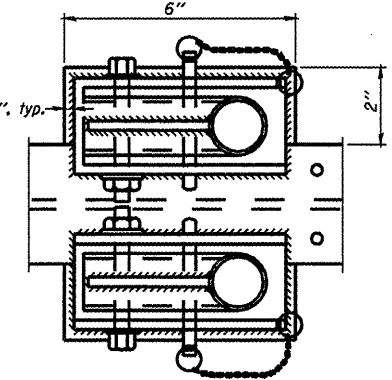
⑤ Field cut ends of light support channels shall be free of burrs or hazardous projections and coated with zinc-rich primer or equivalent.



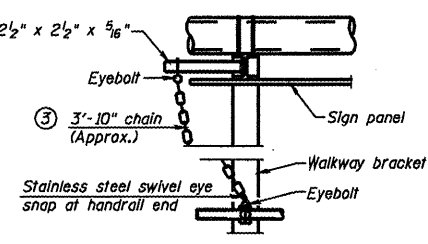
**SECTION P-P**



**PLAN**  
**DETAIL E HANDRAIL HINGE**

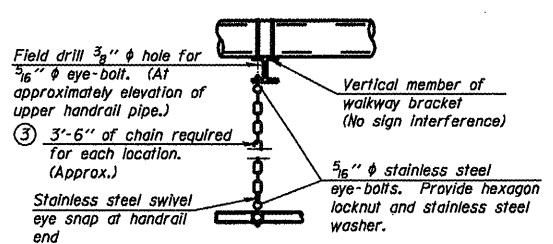


**PLAN AT HANDRAIL JOINT**  
Details not shown same as "PLAN"



**ALTERNATE SAFETY CHAIN ATTACHMENT**  
Details not shown similar to "Safety Chain" Details (Walkway omitted for clarity)

③  $\frac{3}{16}$ " Type 304L stainless steel chain, approximately 12 links per foot.  
④ Extrusions may be used in lieu of the details shown, with approval of the Engineer.



**SAFETY CHAIN**  
One required for each end of each walkway.

This Sheet For Information Only

OS-A-II

7-1-10

FILE NAME :	USER NAME :	DESIGNED -	REVISD -
		CHECKED -	REVISD -
		DRAWN -	REVISD -
		CHECKED -	REVISD -

STATE OF ILLINOIS  
DEPARTMENT OF TRANSPORTATION

OVERHEAD SIGN STRUCTURES  
ALUMINUM HANDRAIL DETAILS  
SHEET NO. 10 OF 30 SHEETS

F.A. RTE.	SECTION	COUNTY	TOTAL SHEETS	SHEET NO.
Yorktown D-4	OVD SIGN STR REPL II-25	MONROE	30	10
CONTRACT NO. 46182			ILLINOIS FED. AID PROJECT	