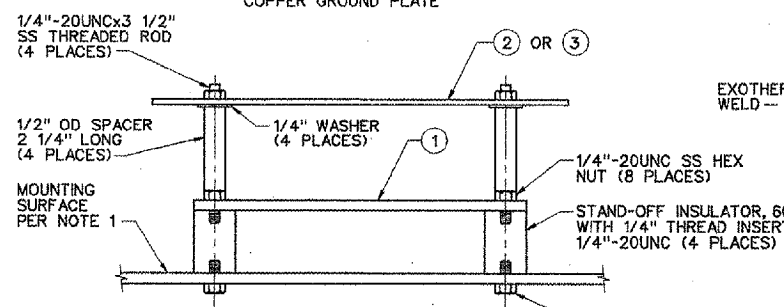
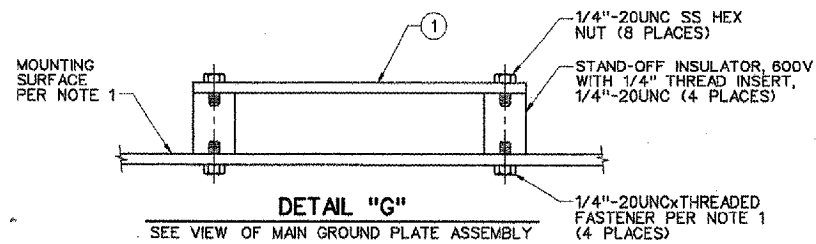


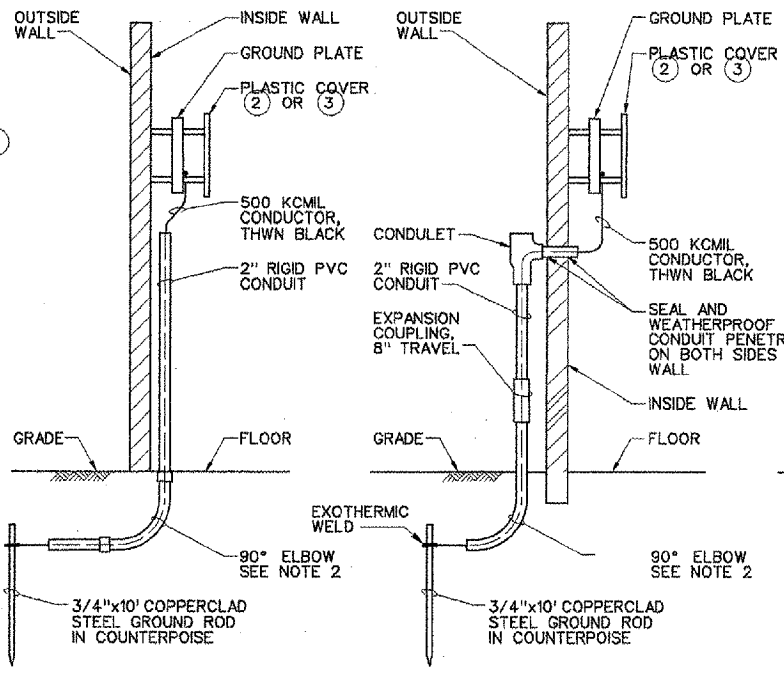
DETAIL "E"
 COPPER GROUND PLATE



DETAIL "F"
 SIDE VIEW OF SINGLE POINT OR MULTIPPOINT GROUND PLATE ASSEMBLY

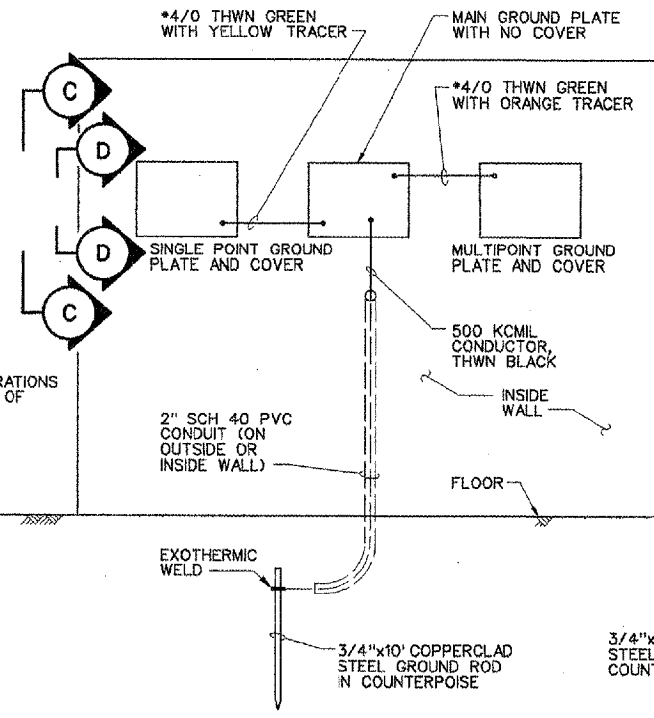


DETAIL "G"
 SEE VIEW OF MAIN GROUND PLATE ASSEMBLY

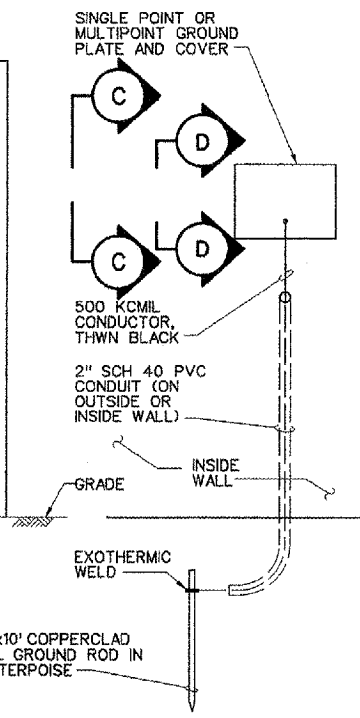


VIEW "D-D"
 GROUND CONDUCTOR IN CONDUIT ON INSIDE WALL

VIEW "C-C"
 GROUND CONDUCTOR IN CONDUIT ON OUTSIDE WALL



DETAIL "B"
 SINGLE POINT, MAIN, AND MULTIPPOINT GROUND PLATES INSTALLATION

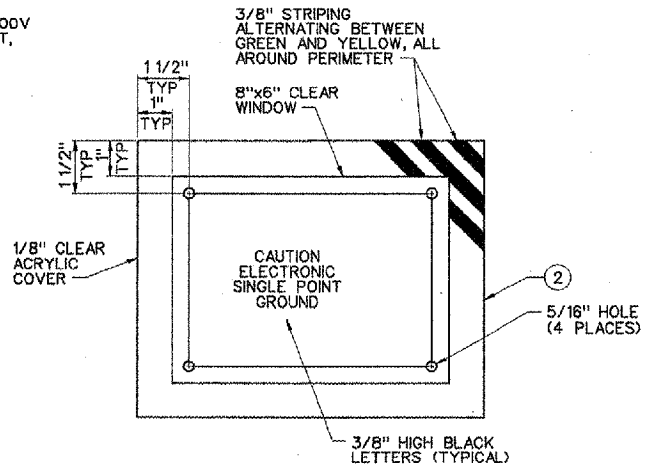


DETAIL "A"
 FREESTANDING SINGLE POINT OR MULTIPPOINT GROUND PLATE ASSEMBLY INSTALLATION

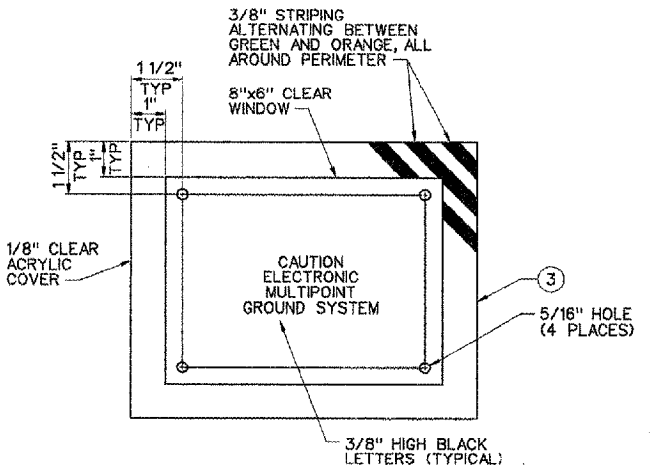
NUMBERED LEGEND: F&I - FURNISH & INSTALL

- F&I (1) 8"x6"x1/4" COPPER GROUND PLATE.
- F&I (2) 10"x8"x1/8" CLEAR ACRYLIC PLASTIC COVER, SINGLE POINT, PER DETAIL "H".
- F&I (3) 10"x8"x1/8" CLEAR ACRYLIC PLASTIC COVER, MULTIPPOINT, PER DETAIL "J".
- F&I (4) TWO-BOLT COPPER OR BRONZE CONNECTOR ACCOMMODATING *4/0 CONDUCTOR, WITH SILICON BRONZE 3/8"-16UNCx1 1/2" HEXAGONAL HEAD BOLT, NUT, AND LOCK WASHER, T AND B CATALOG NUMBERS 32011 AND 32013 AND SQUARE 'D' ANDERSON CATALOG NUMBER LU-4/0-2 MEET CONNECTOR REQUIREMENTS. SEE NOTE 3.
- F&I (5) TWO-BOLT COPPER OR BRONZE CONNECTOR ACCOMMODATING 500 KCML CONDUCTOR, WITH SILICON BRONZE 1/2"-13UNCx1 1/2" HEXAGONAL HEAD BOLT, NUT, AND LOCK WASHER, T AND B CATALOG NUMBER 32017, ILSCO CAT. NO. VL-21785, AND SQUARE 'D' ANDERSON CATALOG NUMBER LU-500-2N MEET CONNECTOR REQUIREMENTS. SEE NOTE 3.

- NOTES:**
1. THE MOUNTING SURFACE ON WHICH THE STAND-OFF INSULATORS ARE MOUNTED MAY BE THE WALL ITSELF OR:
 - A. PAINTED PLYWOOD PANEL SHIMMED OUT FROM THE WALL, OR
 - B. GALVANIZED COMMERCIAL CHANNEL SUCH AS UNISTRUT SCREWED TO THE WALL, OR
 - C. METAL MOUNTING BRACKET SCREWED TO THE WALL, OR
 - D. OTHER SURFACE AS SHOWN ON THE LOCATION-SPECIFIC DRAWING.
 THE FASTENERS SHALL BE OF SUFFICIENT LENGTH TO PASS THROUGH THE MOUNTING CHANNEL, BRACKET, OR OTHER MOUNTING BODY (INCLUDING WASHERS OR OTHER SHIMS), AND BE SNUG WHEN FULLY ENGAGED IN THE STAND-OFF INSULATOR.
 2. FOR CONDUIT DEPTH, EXTENSION, AND ROUTE, SEE THE LOCATION-SPECIFIC DRAWING(S).
 3. TWO-BOLT CONNECTORS ARE REQUIRED FOR ALL CONDUCTORS TO BE CONNECTED TO THE GROUNDING PLATES. ONE-BOLT CONNECTORS ARE NOT ACCEPTABLE. NOTE THAT ONLY ONE OF THE HOLES REQUIRED FOR INSTALLING EACH 2-BOLT CONNECTOR IS SPECIFIED IN DETAIL "E". THE INSTALLER OF THE CONNECTOR SHALL DRILL THE SECOND HOLE TO MATCH THE BOLT PATTERN OF THE SELECTED CONNECTOR.



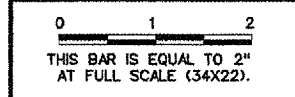
DETAIL "H"
 SINGLE POINT GROUND PLASTIC COVER



DETAIL "J"
 MULTIPPOINT GROUND PLASTIC COVER

REVISIONS

NUMBER	BY	DATE



BLOOMINGTON-NORMAL AIRPORT AUTHORITY
 CENTRAL ILLINOIS REGIONAL AIRPORT
 BLOOMINGTON, ILLINOIS
 GROUND PLATES & COVERS

CMT
 CRAWFORD, MURPHY & TILLY, INC.
 CONSULTING ENGINEERS
 © Copyright CMT, Inc.

DESIGN BY:	TM
DRAWN BY:	CMT
CHECKED BY:	RW
APPROVED BY:	RW
DATE:	12/25/2004
JOB No:	030850300