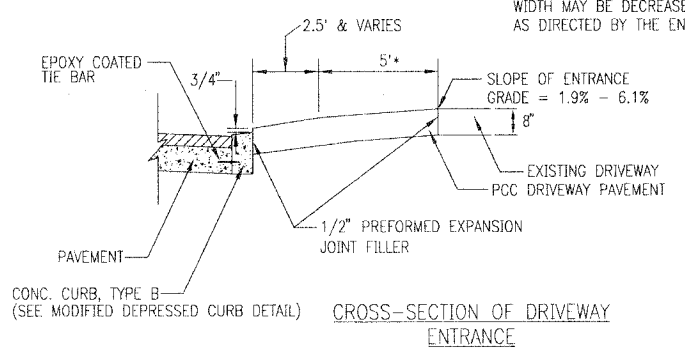
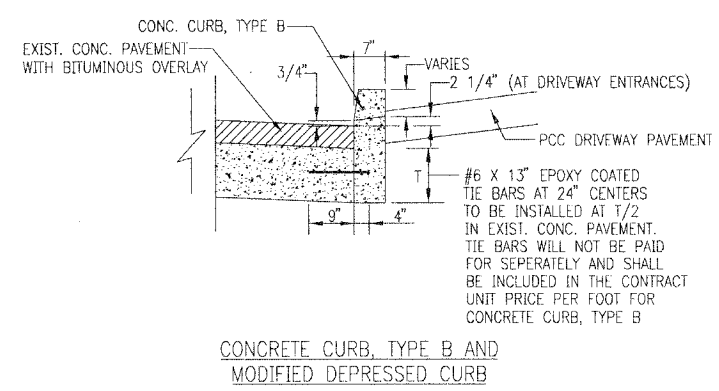
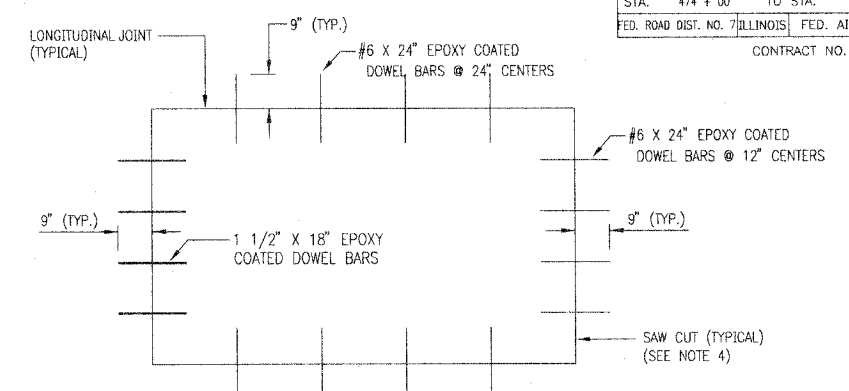


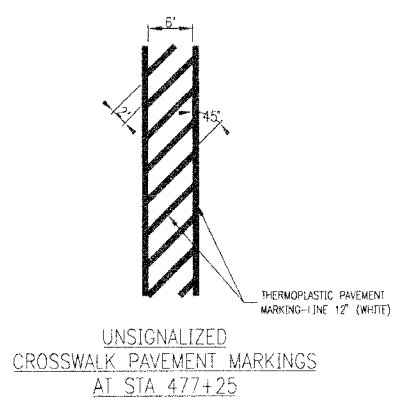
F.A.U. RTE.	SECTION	COUNTY	TOTAL SHEETS	SHEET NO.
9182	00-00176-01-RS	ST. CLAIR	9	3
STA.	474 + 00	TO STA.	545 + 00	
FED. ROAD DIST. NO. 7 ILLINOIS		FED. AID URBAN		CONTRACT NO. 97238



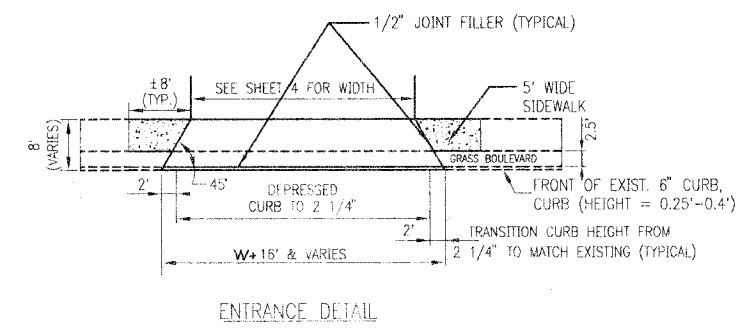
* NOTE: MAXIMUM GRADE = 2%
WIDTH MAY BE DECREASED TO 3'
AS DIRECTED BY THE ENGINEER



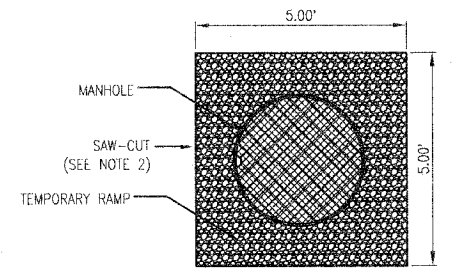
TYPICAL PAVEMENT PATCH
SEE STANDARD 442101-05 FOR
ADDITIONAL INFORMATION



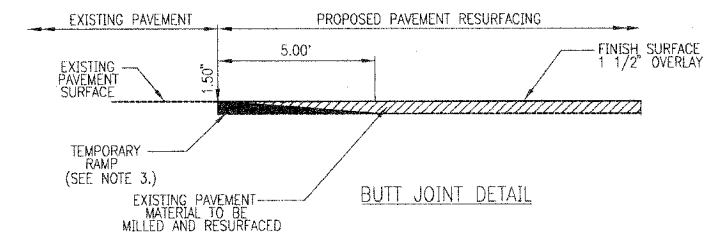
UNSIGNALIZED
CROSSWALK PAVEMENT MARKINGS
AT STA 477+25



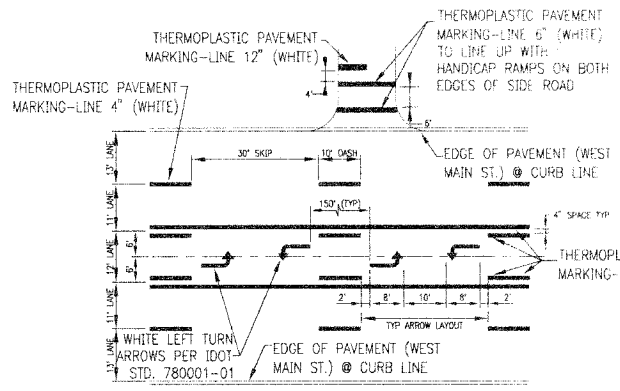
ENTRANCE DETAIL



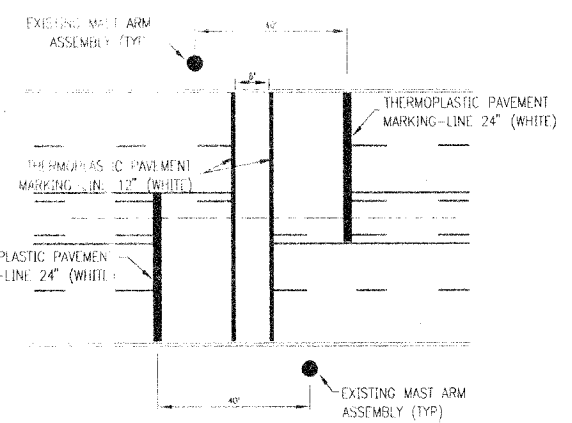
FRAME AND LID TO BE ADJUSTED
DETAIL



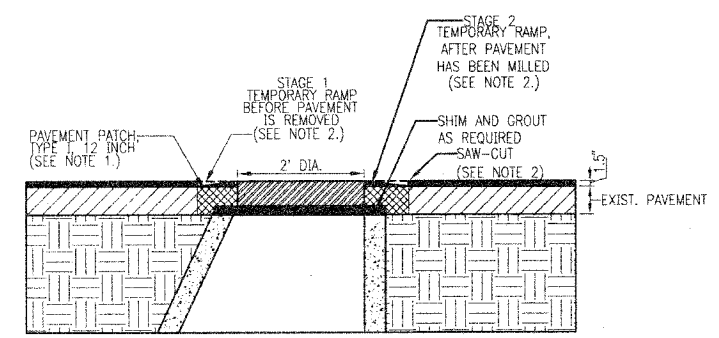
BUTT JOINT DETAIL



TYPICAL PAVEMENT MARKINGS WITH
BI-DIRECTIONAL LEFT TURN LANE
(NO RAISED MEDIAN)
STA 475+48 TO STA 503+40 AND
STA 511+49 TO STA 541+85

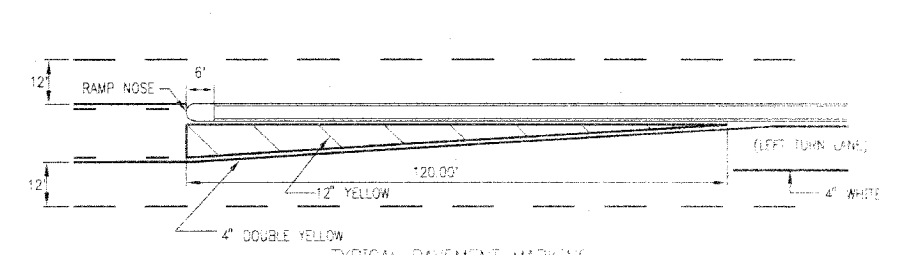


SIGNALIZED
CROSSWALK PAVEMENT MARKINGS
AT STA 482+19

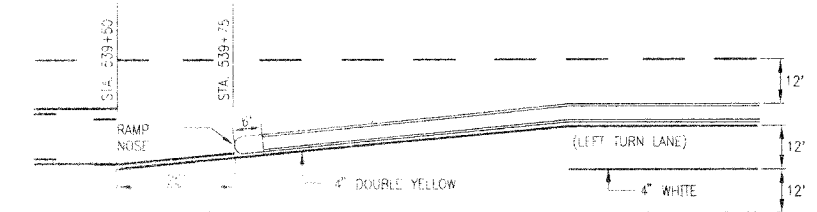


CROSS-SECTION OF PAVEMENT
RESURFACING AROUND MANHOLES

- NOTES:
1. THE COST OF PAVEMENT REMOVAL AND TYPE I PATCHES SHALL BE INCLUDED IN THE CONTRACT UNIT PRICE PER EACH FOR THE FRAMES AND GRATES TO BE ADJUSTED, AND FOR FRAMES AND LIDS TO BE ADJUSTED.
 2. SAW CUTS AND REMOVAL OF TEMPORARY RAMPS AFTER BOTH STAGES IS INCLUDED IN CONSTRUCTION COSTS.
 3. REMOVAL OF TEMPORARY RAMPS SHALL BE INCLUDED IN THE CONTRACT UNIT PRICE PER SQUARE YARD FOR BITUMINOUS SURFACE REMOVAL 1-1/2\".
 4. THE CONTRACTOR SHALL USE A CARBIDE TIPPED WHEEL SAW TO MAKE A MINIMUM OF ONE FULL DEPTH LONGITUDINAL AND ONE TRANSVERSE SAW CUT FOR EACH PATCH. THE SAW CUTS SHALL BE TEMPORARILY FILLED WITH A BITUMINOUS MIXTURE IF THE PATCHING IS NOT COMPLETED AT THE TIME OF SAWING. THE COST OF SAW CUTS AND DOWEL BARS WILL NOT BE PAID FOR SEPERATELY AND SHALL BE INCLUDED IN THE CONTRACT UNIT PRICE PER SQUARE YARD FOR EACH PATCH.



TYPICAL PAVEMENT MARKING
STA 503+42 TO STA 504+32 AND
STA 510+51 TO STA 511+51



TYPICAL PAVEMENT MARKING
STA 539+50 TO STA 540+72

REVISIONS		ILLINOIS DEPARTMENT OF TRANSPORTATION
NAME	DATE	
		MISCELLANEOUS DETAILS F.A.U. 9182 (WEST MAIN ST.) SECTION 00-00176-01-RS - ST. CLAIR CO. SCALE: 1" = 30' DATE: DECEMBER 28, 2004

DRAWN BY CRO
CHECKED BY RCY

PLAN	SURVEYED	DATE
NOTE BOOK	PLotted	BY
NO.	NO.	

PLAN	SURVEYED	DATE
NOTE BOOK	PLotted	BY
NO.	NO.	