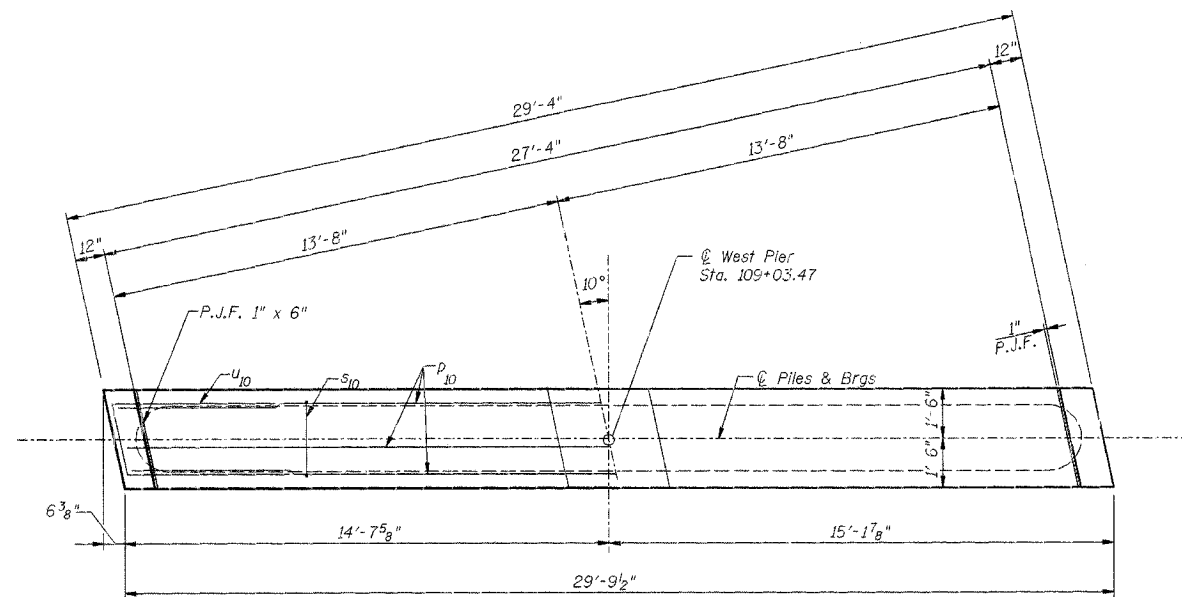
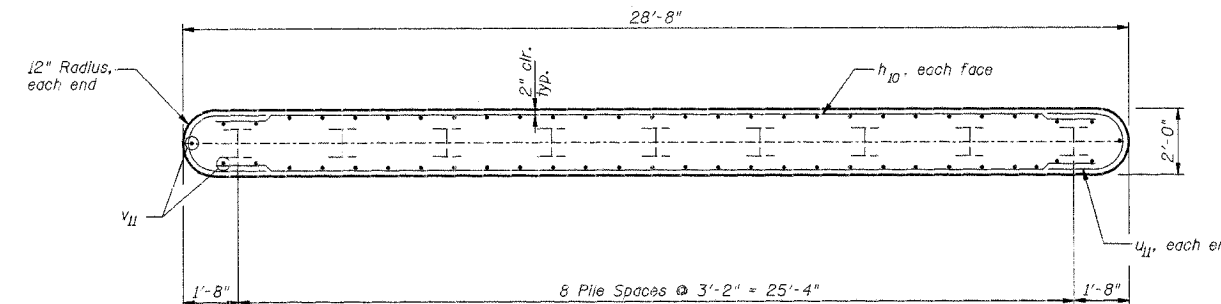
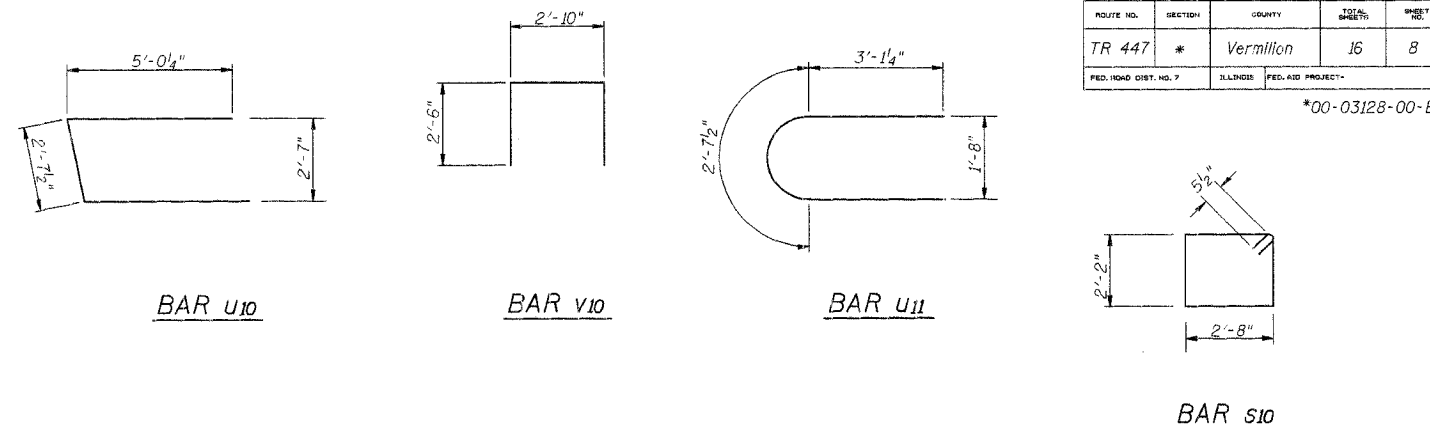


ROUTE NO.	SECTION	COUNTY	SHEET NO.	SHEET
TR 447	*	Vermilion	16	8
FED. ROAD DIST. NO. 7	SUBLINE	FED. AID PROJECT		

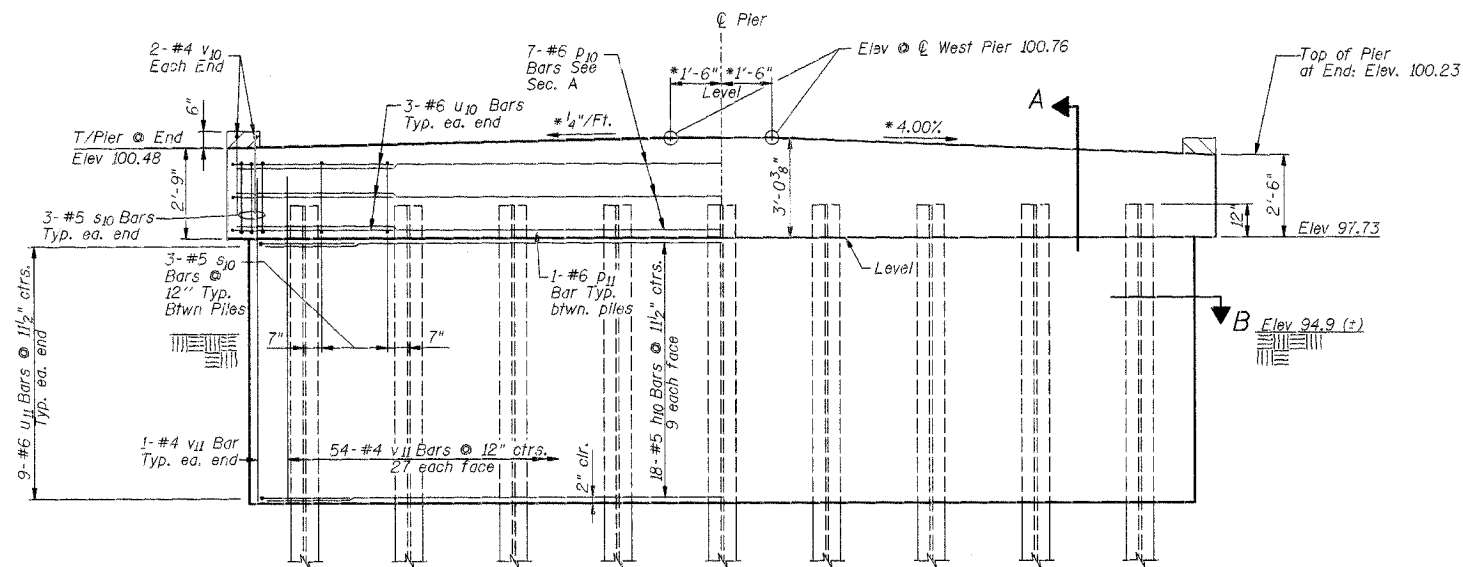
*00-03128-00-BR



PLAN

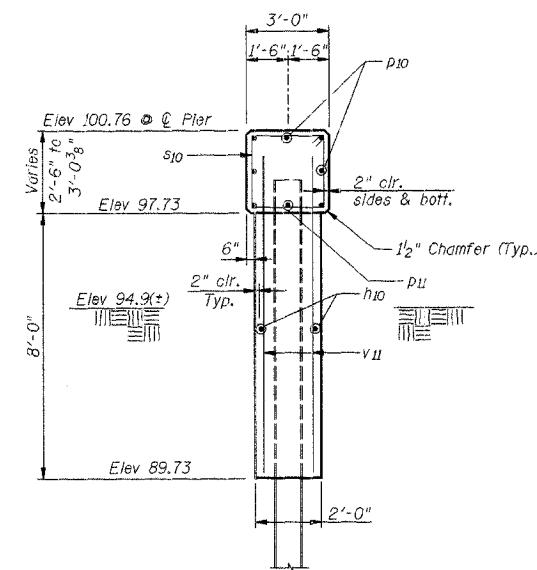


SECTION B



ELEVATION

(Looking West)
* Normal to Centerline Roadway



SECTION A

WORK SHEETS 8 & 9 TOGETHER

BILL OF MATERIAL - 2 PIERS

Bar	No.	Size	Length	Shape
U10	36	#5	26'-8"	—
P10	14	#6	29'-5"	—
P11	16	#6	2'-8"	—
S10	60	#5	10'-7"	□
U11	12	#6	12'-8"	—
U11	36	#6	8'-10"	—
V10	8	#4	7'-10"	□
V11	112	#4	9'-0"	—

Concrete Structures	Cu. Yds.	52.6
Reinforcement Bars	Lbs.	3770
Test Pile, Steel HP10x42	Each	2
Furnish Steel Piles, HP10x42	Foot	640
Driving Steel Piles	Foot	640
Metal Shoes	Each	16
Structure Excavation	Cu. Yds.	78

PILE DATA

Type: Steel HP 10 x 42
 No. Required: 8 West Pier
 8 East Pier
 Capacity: 41 T/Pile @ West Pier
 41 T/Pile @ East Pier
 Est. Length: 40 Ft. West Pier
 40 Ft. East Pier
 Test Piles: 1 West Pier
 1 East Pier

DSGN	DR	CHK	APVD	NO.	DATE	REVISION	BY	APVD
R.T. Mumm	R.T. Mumm	K.E. Brandau	K.E. Brandau					

FRAUENHOFFER

Frauenhoffer and Associates, P.C. Consulting Engineers
 3002 Crossing Court Champaign, Il. 61822 217-351-6268

WEST PIER

CARROLL ROAD DISTRICT
 SECTION 00-03128-00-BR
 VERMILION COUNTY

SHEET 8

DWG NO. car-PR.dgn
 DATE APR 2004
 PROJ NO. 3080