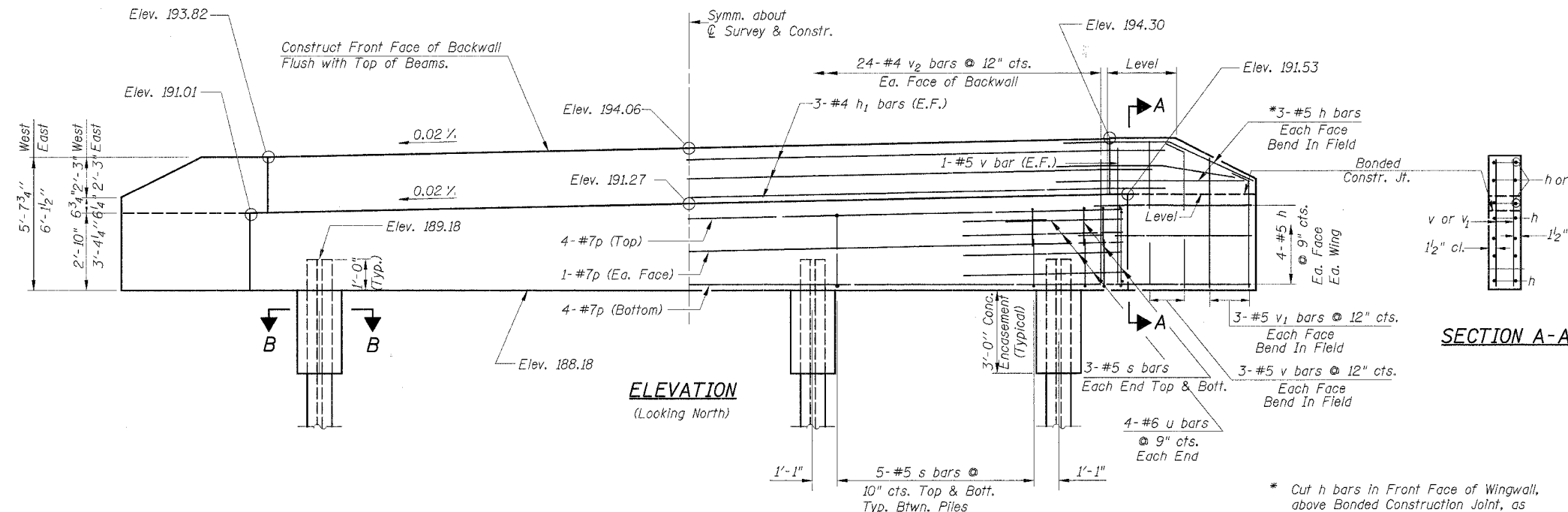
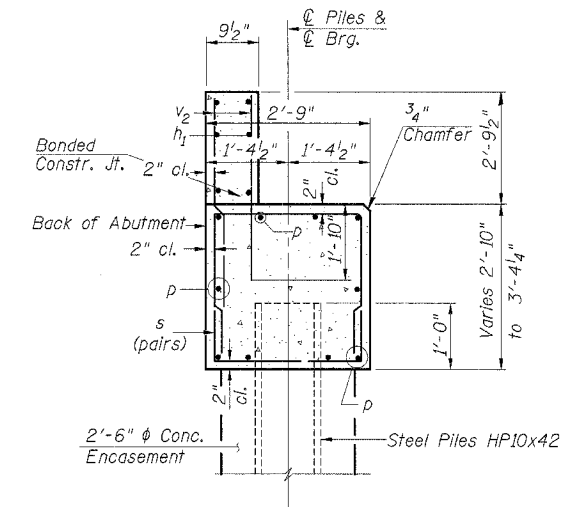


ROUTE NO.	SECTION	COUNTY	TOTAL SHEETS	SHEET NO.
T.R. 408	98-02117-00-BR	SHELBY	14	8
ROAD DISTRICT		ILLINOIS	BIG SPRING	



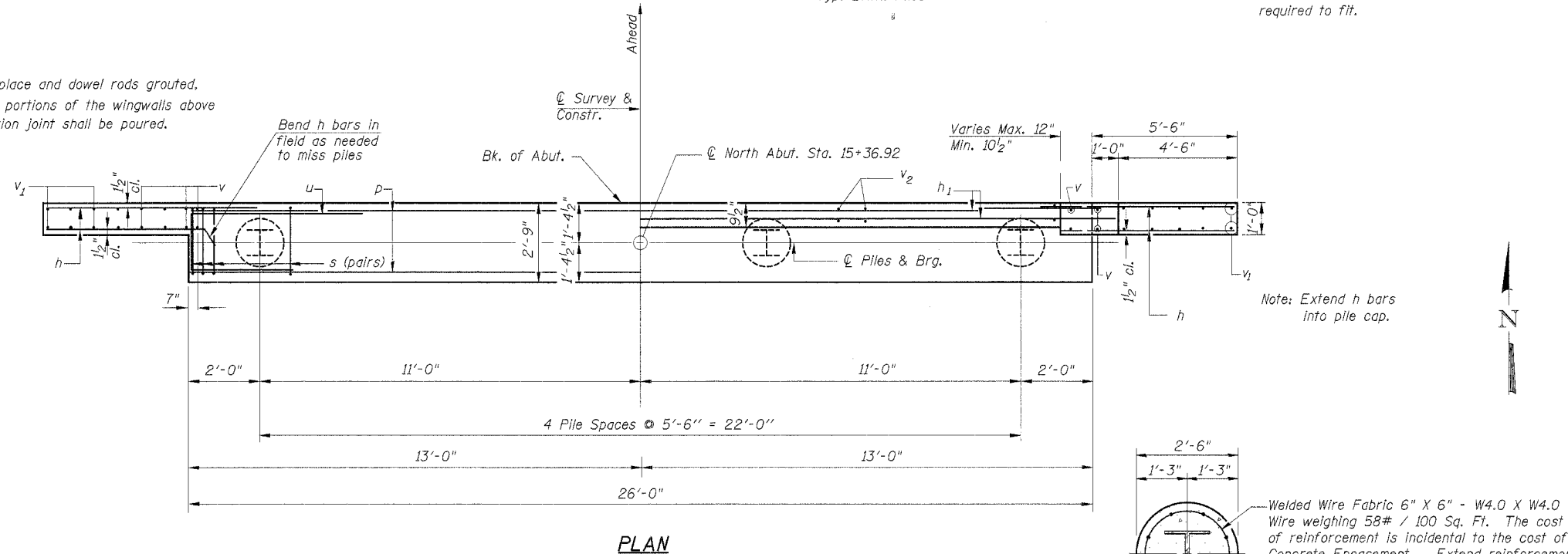
SECTION A-A



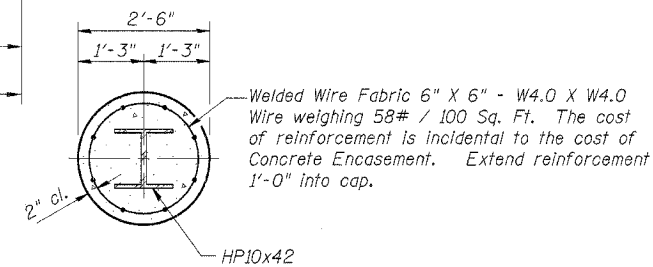
SECTION THRU NORTH ABUT.

* Cut h bars in Front Face of Wingwall, above Bonded Construction Joint, as required to fit.

NOTE: After beams are in place and dowel rods grouted, the backwall and the portions of the wingwalls above the bonded construction joint shall be poured.



PLAN



SECTION B-B

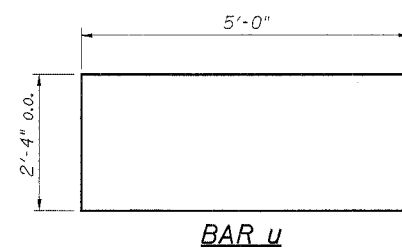
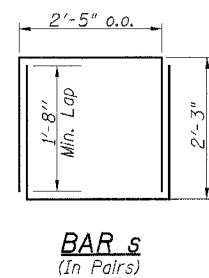
PILE DATA

Type _____ Steel Piles HP10x42
 No. Req'd. _____
 Capacity _____ 55 Ton/Pile
 Est. Length _____ 32 Feet/Pile
 **Includes One Test Pile to be driven in a permanent location at the North Abutment.

BILL OF MATERIAL - NORTH ABUT.

BAR	NO.	SIZE	LENGTH	SHAPE	
h	28	#5	6'-9"	—	
h1	6	#4	28'-0"	—	
p	10	#7	25'-8"	—	
s	52	#5	6'-11"	□	
u	8	#6	12'-4"	—	
v	16	#5	5'-7"	—	
v1	12	#5	4'-2"	—	
v2	48	#4	4'-6"	—	
Concrete Structures				Cu. Yd.	12.4
Reinforcement Bars				Pound	1650
Steel Piles HP10x42				Foot	128
Concrete Encasement				Cu. Yd.	2.7
Test Pile Steel HP10x42				Each	1

DESIGNED	S.F.M.
CHECKED	M.E.B.
DRAWN	D.E.G.
CHECKED	F.J.S.



NORTH ABUTMENT

SECTION 98-02117-00-BR
 BIG SPRING ROAD DISTRICT
 SHELBY COUNTY
 STATION 14+99

4440 ASH GROVE SPRINGFIELD, IL 62707 (217) 793-8600 oasinc@tamvid.com	OZYURT AND STONE, INC. CONSULTING ENGINEERS	JOB NO.: 9834 FILE: n_abut.dgn DATE: 12-01-03
--	---	---