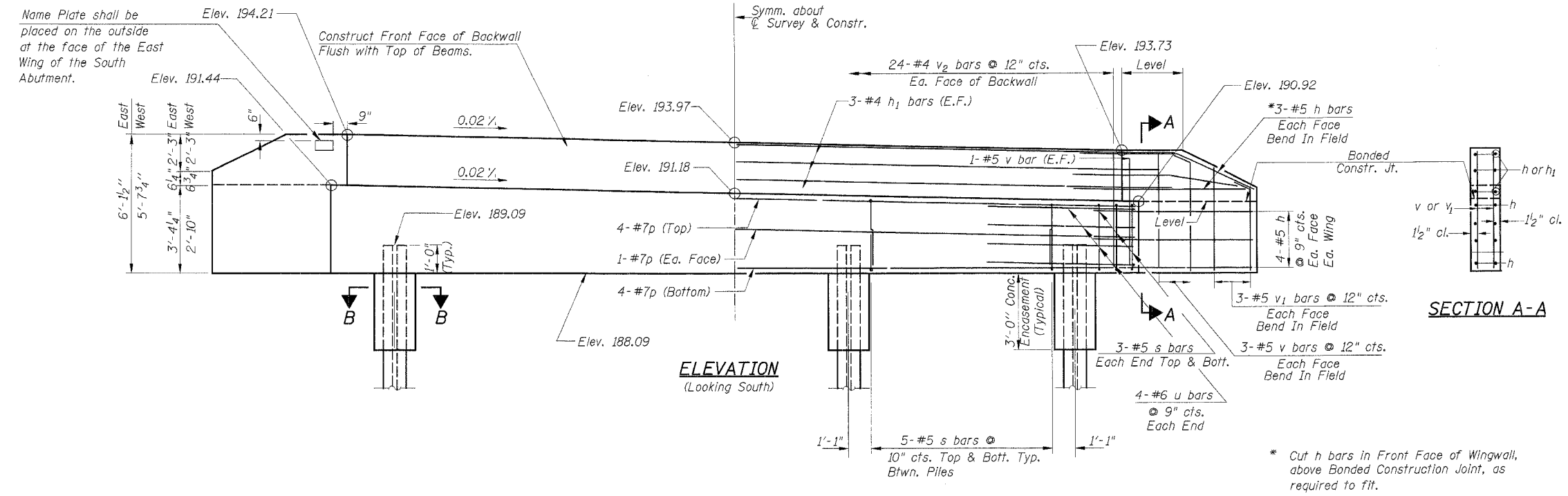
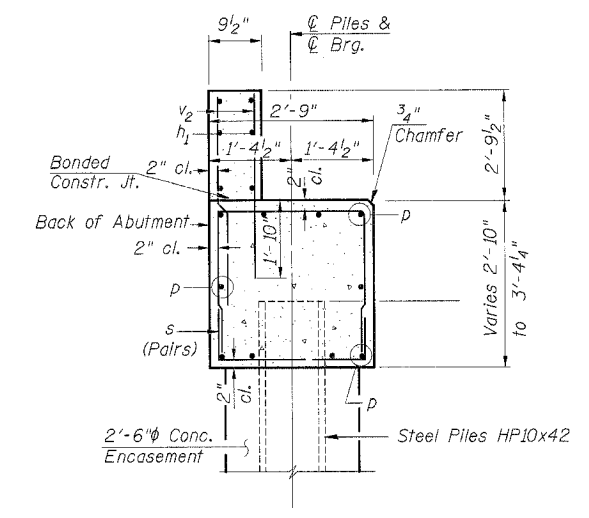


ROUTE NO.	SECTION	COUNTY	TOTAL SHEETS	SHEET NO.
T.R. 408	98-02117-00-BR	SHELBY	14	7
ROAD DISTRICT		ILLINOIS	BIG SPRING	

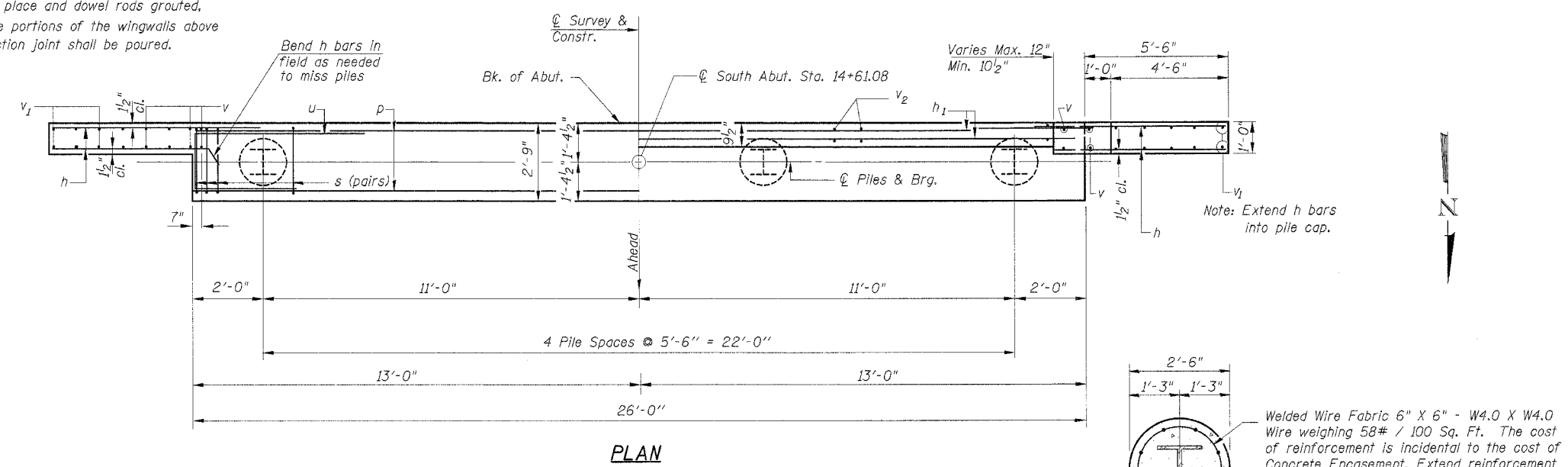


SECTION A-A

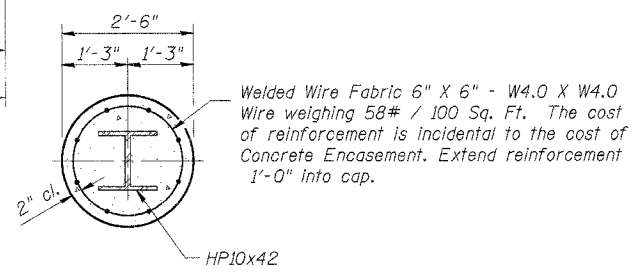


SECTION THRU SOUTH ABUT.

NOTE: After beams are in place and dowel rods grouted, the backwall and the portions of the wingwalls above the bonded construction joint shall be poured.



PLAN

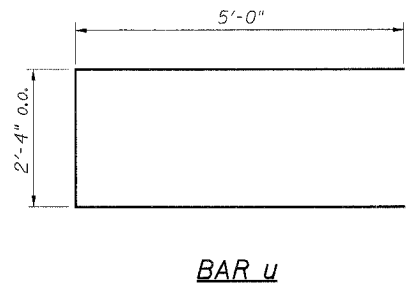
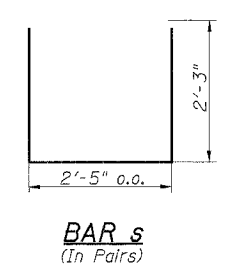


SECTION B-B

PILE DATA

Type: Steel Piles HP10x42  
 No. Req'd: 5  
 Capacity: \*\*55 Ton/Pile  
 Est. Length: 21 Feet/Pile  
 \*\*Includes One Test Pile to be driven in a permanent location at the South Abutment.

DESIGNED	S.F.M.
CHECKED	M.E.B.
DRAWN	D.E.G.
CHECKED	F.J.S.



BILL OF MATERIAL - SOUTH ABUT.

BAR	NO.	SIZE	LENGTH	SHAPE
h	28	#5	6'-9"	—
h1	6	#4	28'-0"	—
p	10	#7	25'-8"	—
s	52	#5	6'-11"	U
u	8	#6	12'-4"	—
v	16	#5	5'-7"	—
v1	12	#5	4'-2"	—
v2	48	#4	4'-6"	—
Concrete Structures			Cu. Yd.	12.4
Reinforcement Bars			Pound	1650
Steel Piles HP10x42			Foot	84
Name Plates			Each	1
Concrete Encasement			Cu. Yd.	2.7
Test Pile Steel HP10x42			Each	1

**SOUTH ABUTMENT**

SECTION 98-02117-00-BR  
 BIG SPRING ROAD DISTRICT  
 SHELBY COUNTY  
 STATION 14+99

4440 ASH GROVE SPRINGFIELD, IL. 62707 (217) 793-8600 oasinc@iarnvic.com	<b>OZYURT AND STONE, INC.</b> CONSULTING ENGINEERS
JOB NO.: 9834 FILE: s_abut.dgn DATE: 12-01-03	