

ROUTE NO.	SECTION	COUNTY	TOTAL SHEETS	SHEET NO.
T.R. 40B	98-02117-00-BR	SHELBY	14	2
ROAD DISTRICT		ILLINOIS	BIG SPRING	

SUMMARY OF QUANTITIES

CODE NO.	ITEM	UNIT	QUANTITY
20100110	TREE REMOVAL (6 TO 15 UNITS DIAMETER)	UNIT	30
20100210	TREE REMOVAL (OVER 15 UNITS DIAMETER)	UNIT	108
20200100	EARTH EXCAVATION	CU YD	773
20300100	CHANNEL EXCAVATION	CU YD	336
* 25000200	SEEDING, CLASS 2	ACRE	0.8
25000400	NITROGEN FERTILIZER NUTRIENT	POUND	75
25000500	PHOSPHOROUS FERTILIZER NUTRIENT	POUND	75
25000600	POTASSIUM FERTILIZER NUTRIENT	POUND	75
* 25100115	MULCH, METHOD 2	ACRE	0.8
28000250	TEMPORARY EROSION CONTROL SEEDINGS	POUND	60
28000300	TEMPORARY DITCH CHECKS	EACH	2
28000400	PERIMETER EROSION BARRIER	FOOT	596
28000500	INLET AND PIPE PROTECTION	EACH	1
28100207	STONE RIPRAP, CLASS A4	TON	154
28200100	FILTER FABRIC FOR USE WITH RIPRAP	SQ YD	191
* 40200800	AGGREGATE SURFACE COURSE, TYPE B	TON	629
50100100	REMOVAL OF EXISTING STRUCTURES	EACH	1
50300225	CONCRETE STRUCTURES	CU YD	24.8
* 50400605	PRECAST PRESTRESSED CONCRETE DECK BEAMS (33" DEPTH)	SQ FT	1,848
50800105	REINFORCEMENT BARS	POUND	3,300
50900205	STEEL RAILING, TYPE S1	FOOT	154
51201400	FURNISHING STEEL PILES HP10x42	FOOT	212
51202700	DRIVING STEEL PILES	FOOT	212
51203400	TEST PILE, STEEL HP10x42	EACH	2
51204315	CONCRETE ENCASEMENT	CU YD	5.4
51500100	NAME PLATES	EACH	1
54200223	PIPE CULVERTS, CLASS D, TYPE 1 18"	FOOT	32
63000000	STEEL PLATE BEAM GUARDRAIL, TYPE A	FOOT	13
63100075	TRAFFIC BARRIER TERMINAL, TYPE 5A	EACH	1
LR631020	TRAFFIC BARRIER TERMINAL, TYPE 1	EACH	1

*SEE SPECIAL PROVISIONS

GENERAL NOTES

- WHERE SECTION OR SUBSECTION MONUMENTS ARE ENCOUNTERED, THE ENGINEER SHALL BE NOTIFIED BEFORE SUCH MONUMENTS ARE REMOVED. THE CONTRACTOR SHALL PROTECT AND CAREFULLY PRESERVE ALL PROPERTY MARKS AND MONUMENTS UNTIL OWNER, AN AUTHORIZED SURVEYOR OR AGENT HAS WITNESSED OR OTHERWISE REFERENCE THEIR LOCATION.
- ALL DISTURBED EARTH SURFACES WITHIN THE LIMITS OF THE RIGHT-OF-WAY SHALL BE SEEDED AS DIRECTED BY THE ENGINEER. SEE SPECIAL PROVISIONS FOR SEEDING AND MULCH METHOD 2.

ESTIMATED QUANTITIES

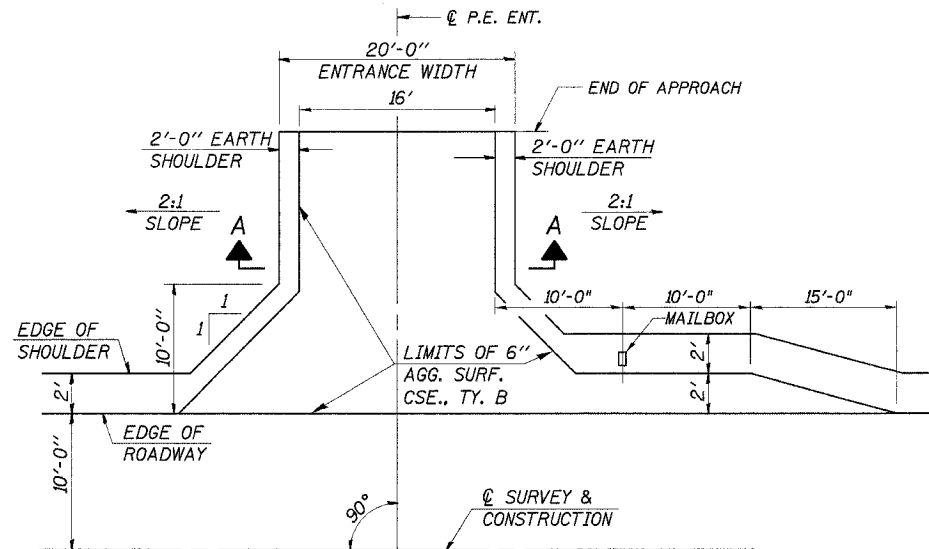
ITEM	RATE OF APPLICATION	QUANTITIES
SEEDING, CLASS 2		0.8 ACRE
NITROGEN FERTILIZER NUTRIENT	90 LBS/ACRE	75 POUNDS
PHOSPHOROUS FERTILIZER NUTRIENT	90 LBS/ACRE	75 POUNDS
POTASSIUM FERTILIZER NUTRIENT	90 LBS/ACRE	75 POUNDS
MULCH METHOD 2	2 TON/ACRE	0.8 ACRE

THE SEEDING MIXTURE USED SHALL CONFORM TO ROADSIDE MIXTURE TYPE 2, EXCEPT DURING THE PERIOD BETWEEN NOVEMBER 1 AND DECEMBER 31. THE CONTRACTOR SHALL SUBSTITUTE 25 POUNDS OF PERENNIAL RYE FOR 48 POUNDS OF OATS, SPRING.

TREE REMOVAL

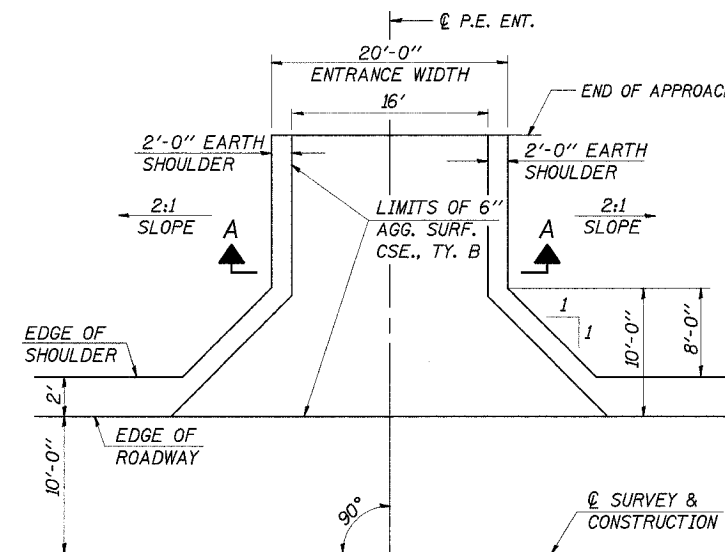
TREE THAT INTERFERE WITH CONSTRUCTION WITHIN THE LIMITS OF THE R.O.W. LINES SHALL BE REMOVED ONLY AT THE DIRECTION OF THE ENGINEER.

TREE REMOVAL (6 TO 15 UNITS DIAMETER)
APPROXIMATE QUANTITY = 30 UNIT
TREE REMOVAL (OVER 15 UNITS DIAMETER)
APPROXIMATE QUANTITY = 108 UNIT



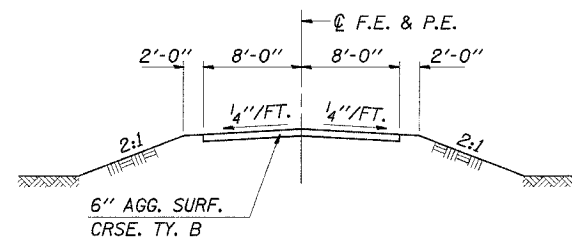
FIELD ENTRANCE W/ MAILBOX TURNOUT

LT. STA. 17+10

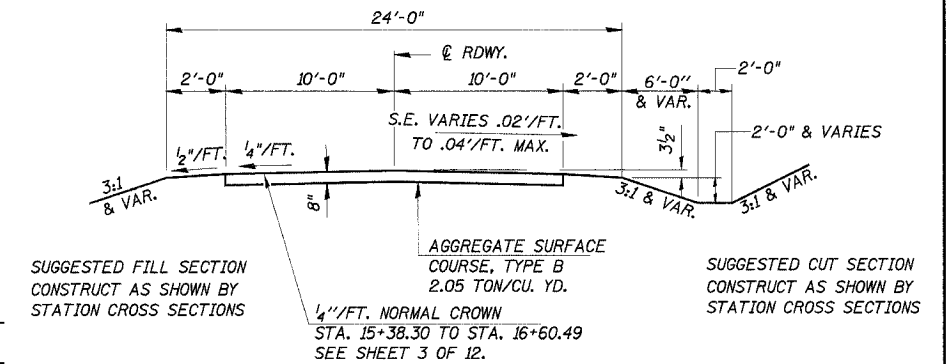


PRIVATE ENTRANCE DETAIL

P.E. RT. STA. 16+52



SECTION A-A

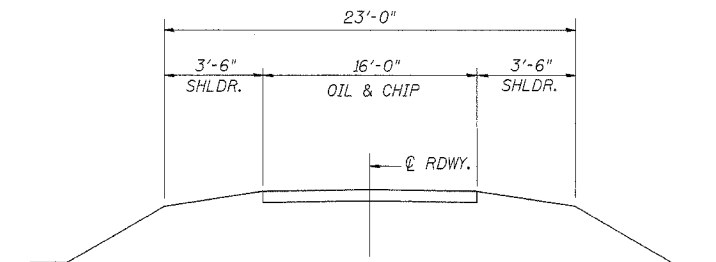


TYPICAL PROPOSED CROSS SECTION

STA. 13+50 TO STA. 19+10

ROAD CLASSIFICATION: LOCAL ROAD ADT 0-250
CURRENT ADT LESS THAN 150

TRANSITION FROM EXISTING ROADWAY TO PROPOSED ROADWAY TO BE CONSTRUCTED FROM STA. 13+00 TO STA. 13+50 AND FROM STA. 19+10 TO STA. 19+60. SEE SHEET 4 FOR TRANSITION AT BRIDGE



EXISTING TYPICAL CROSS SECTION

SUMMARY OF QUANTITIES, GENERAL NOTES AND TYPICAL CROSS SECTION
SECTION 98-02117-00-BR
BIG SPRING ROAD DISTRICT
SHELBY COUNTY
STATION 14+99

4440 ASH GROVE SPRINGFIELD, IL 62707 (217) 793-8800 oasinc@amvid.com	OZYURT AND STONE, INC. CONSULTING ENGINEERS	JOB NO.: 9834 FILE: SUMTYP.DGN DATE: 12-01-03
---	---	---