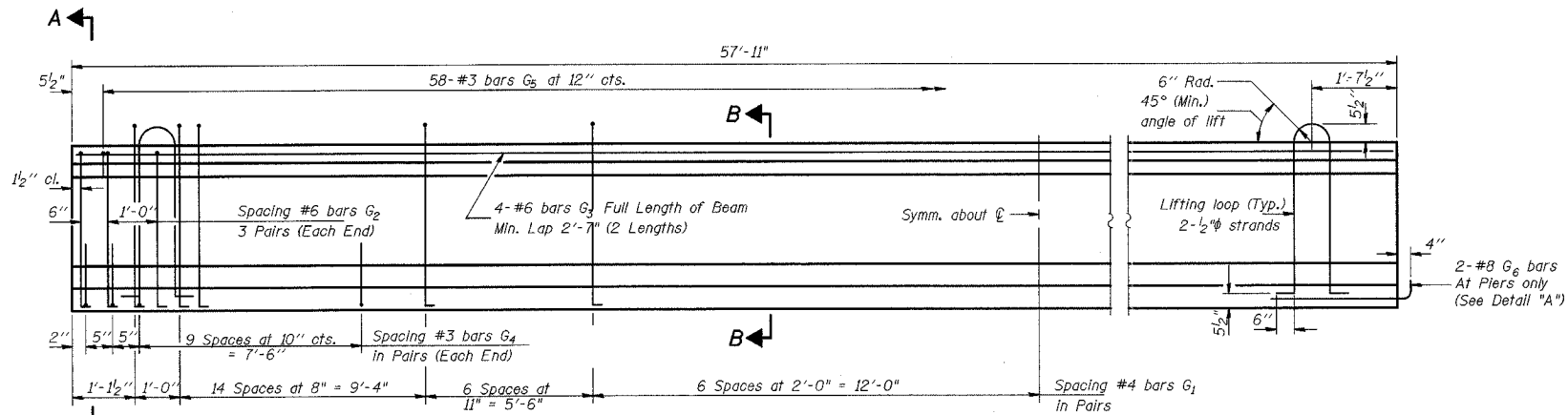
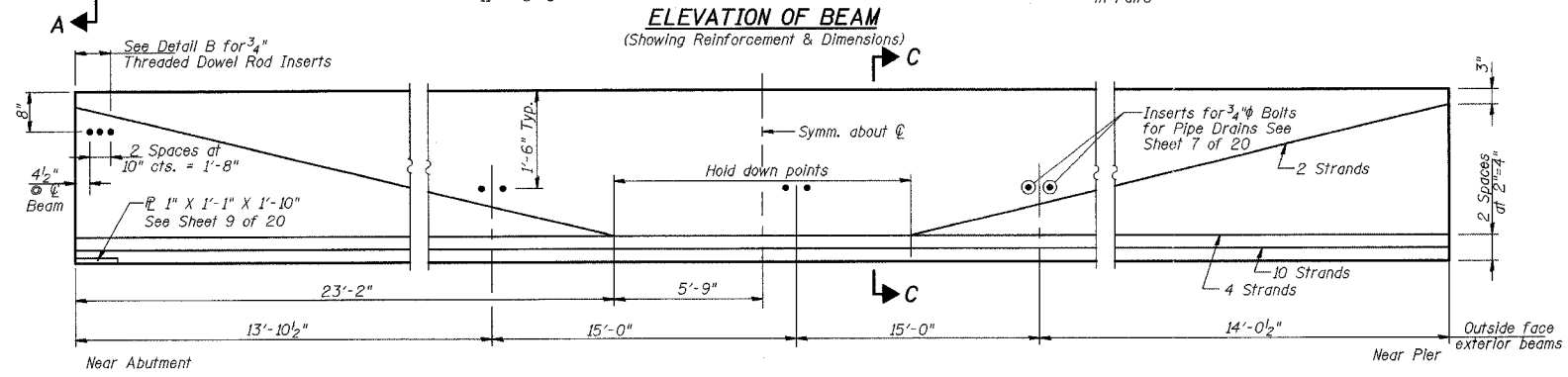


F.A.P. NO.	SECTION	COUNTY	TOTAL SHEETS	SHEET NO.
711	115(BY)-11BR	VERMILION	93	58
FED. ROAD DIST. NO.	ILLINOIS	FED. AID PROJECT		
			CONTRACT NO. 90B43	

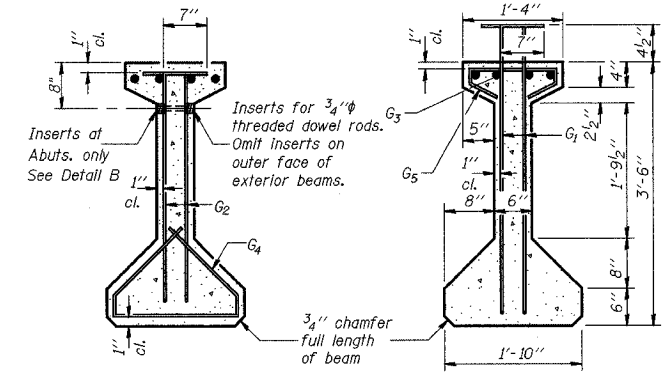
SHEET NO. 11  
SHEETS 20



**ELEVATION OF BEAM**  
(Showing Reinforcement & Dimensions)

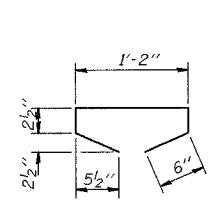


**ELEVATION OF BEAM**  
(Showing Prestressing Steel & Inserts)

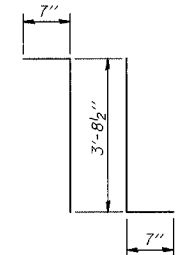


**SECTION A-A**

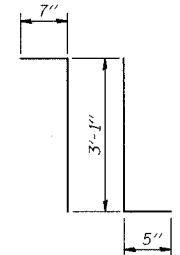
**SECTION B-B**



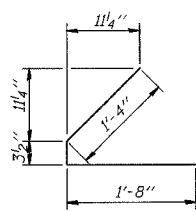
**BAR G5**



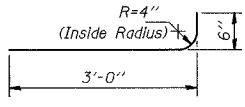
**BAR G1**



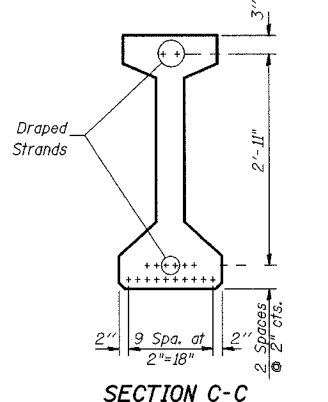
**BAR G2**



**BAR G4**



**BAR G6**



**SECTION C-C**

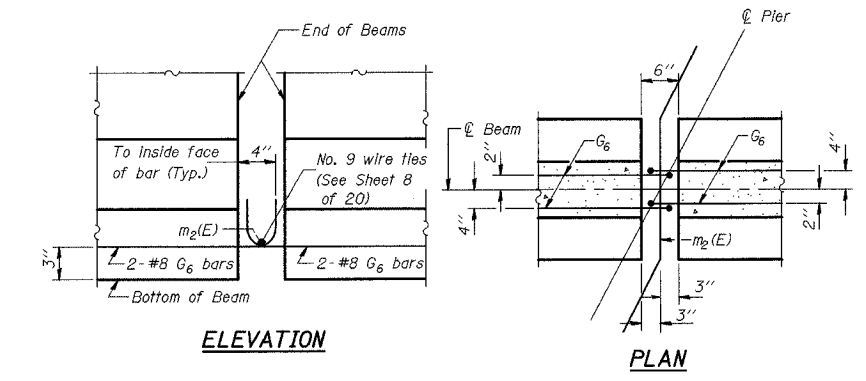
**\* BAR LIST**

Bar	No.	Size	Length	Shape
G1	110	#4	4'-10 1/2"	TL
G2	12	#6	4'-1"	TL
G3	8	#6	29'-8"	—
G4	48	#3	3'-3 1/2"	—
G5	58	#3	2'-7"	—
G6	2	#8	3'-6"	—

\* For one beam only.

**BILL OF MATERIAL**

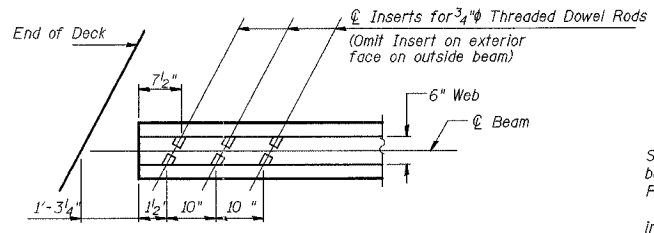
Item	Unit	Total
Furnishing and Erecting Precast Prestressed Concrete I-Beams, 42"	Foot	695



**ELEVATION**

**DETAIL "A"**

**PLAN**



**DETAIL B**

**NOTES**

All inserts and threaded dowel rods for inserts, reinforcing and Prestressing Steel, and other items which are cast into the Precast Concrete I-Beams shall be included in the contract unit price per foot of "Furnishing and Erecting Precast Prestressed Concrete I-Beams, 42 in."  
 Inserts for 3/4" threaded dowel rods are to be two strut, coil type for interior I-Beams and single coil, flared loop type for exterior I-Beams.  
 Prestressing steel shall be uncoated high strength, low relaxation 7-wire strand, Grade 270.  
 The nominal diameter shall be 1/2" and the nominal cross-sectional area shall be 0.153 sq. in.  
 Non-prestressing steel shall conform to AASHTO designation M-31 or M-322 Grade 60.  
 Lifting loops shall be 2-1/2" 270 ksi strands, as shown.  
 Required release strength, f'ci, shall be 5000 psi.  
 Reinforcement bars designated (E) shall be epoxy coated.

ILLINOIS DEPARTMENT OF TRANSPORTATION  
**BEAM DETAILS SPAN 1 AND 3**  
 U.S. ROUTE 136 OVER  
 BEAN CREEK  
 F.A.P. ROUTE 711  
 SECTION 115(BY)-11BR  
 VERMILION COUNTY  
 STA. 286+77.00  
 STRUCTURE NUMBER 092-0201

DATE: OCT. 2003

DRAWN BY: MLO/NJV  
 CHECKED BY: PBB/SJK