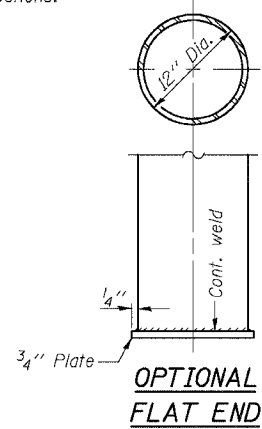
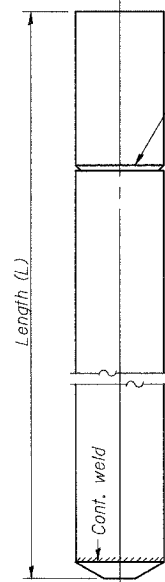


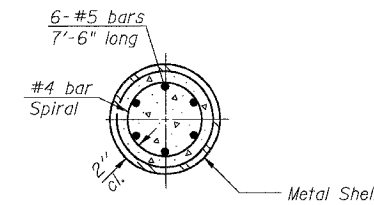
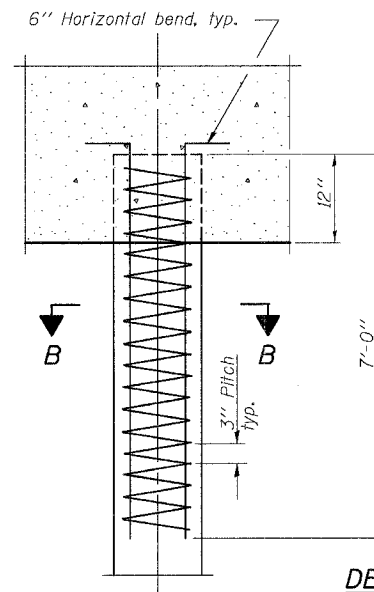
FAP ROUTE	SECTION	COUNTY	TOTAL SHEETS	SHEET NO.	SHEET NO. 23 28 SHEETS
711	115(BY)BR	VERMILION	93	42	
FED. ROAD DIST. NO.	ILLINOIS	FED. AID PROJECT-			

CONTRACT NO. 90843

Notes: Driving and bearing ends of pipe shall be cut square. The thickness of the shell shall be 0.250 inches with a tolerance of 5%. The shell shall be according to Article 1006.05(a) of the Standard Specifications.

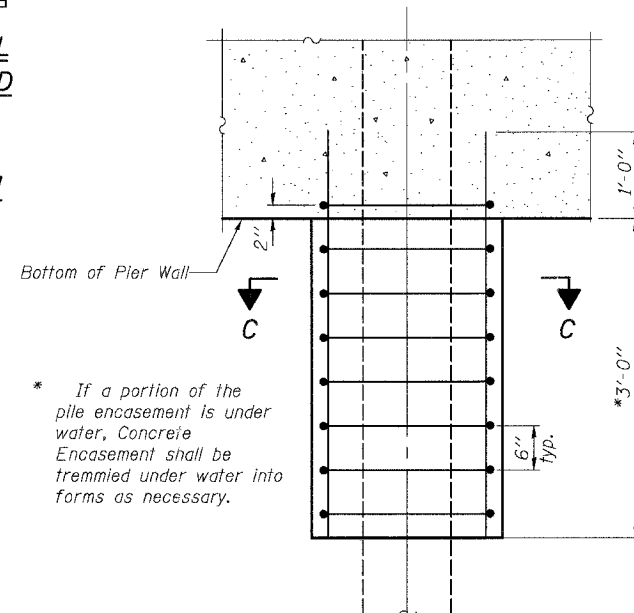


**DETAIL OF CYLINDRICAL STEEL SHELL FOR CAST IN PLACE CONCRETE PILES**



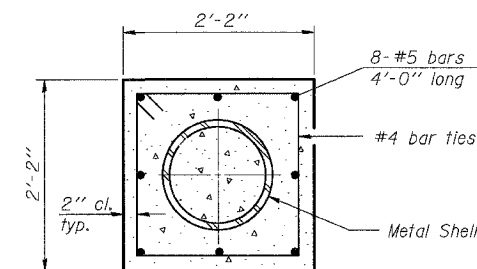
**SECTION B-B**

**DETAIL OF REINFORCEMENT FOR METAL SHELLS AT ABUTMENTS**



\* If a portion of the pile encasement is under water, Concrete Encasement shall be tremied under water into forms as necessary.

**DETAIL OF PROTECTION FOR METAL SHELLS AT PIERS**



**SECTION C-C**

The cost of Reinforcement, concrete, and excavation for forms is included with Furnishing Metal Pile Shells 12".

ILLINOIS DEPARTMENT OF TRANSPORTATION			
SHEET TITLE CONCRETE PILE DETAILS			
PROJECT US RTE 136 OVER BLUEGRASS CREEK FAP ROUTE 711 SECTION 115(BY)BR VERMILION COUNTY STATION 236+24.70 STRUCTURE NUMBER 092-0200	PROJECT NO. 01054	SCALE 05/18/04	DRAWN BY TFC
CHECKED BY K/PS/CME/MCB		DATE 05/18/04	DRAWING NO.
COOMBE-BLOXDORF P.C. Engineers / Land Surveyors Springfield, Illinois		23	OF 28 SHTS
Design Firm License No. 184-002703			