

**NOTES**

Space reinforcement in cap to miss anchor bolts.  
 Pour steps monolithically with cap.  
 See Sheet 23 of 28 for pile and concrete encasement details.  
 All edges shall have 3/4" chamfers except as noted.

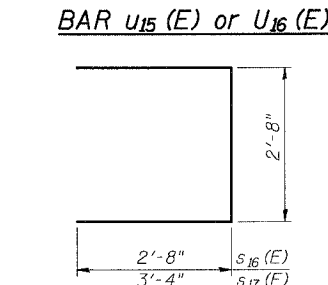
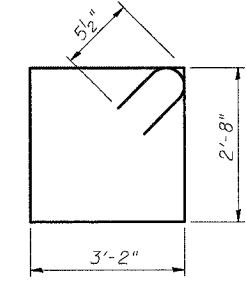
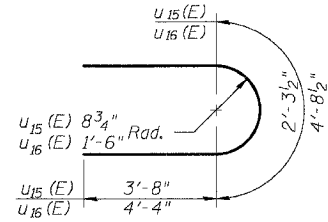
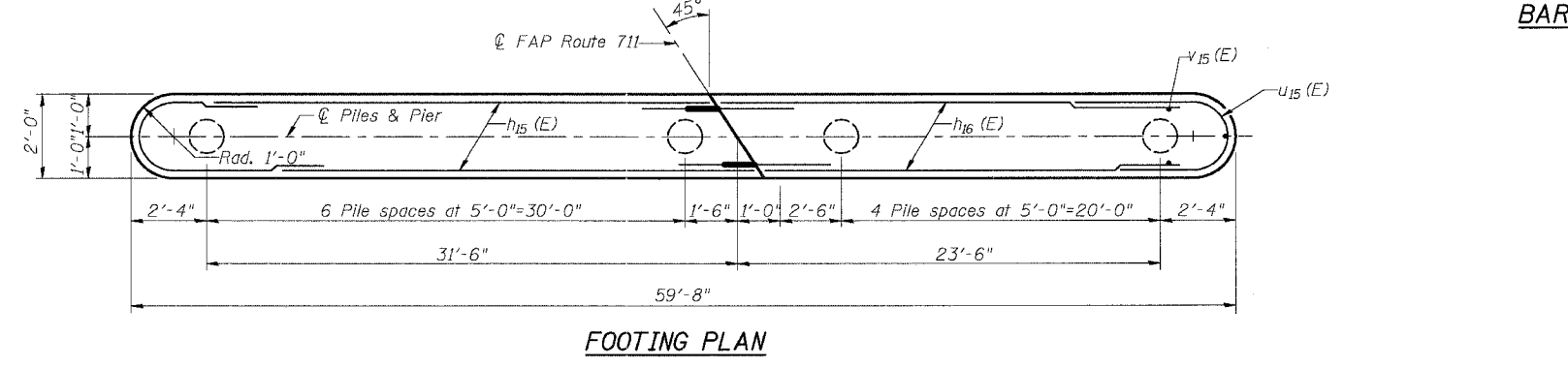
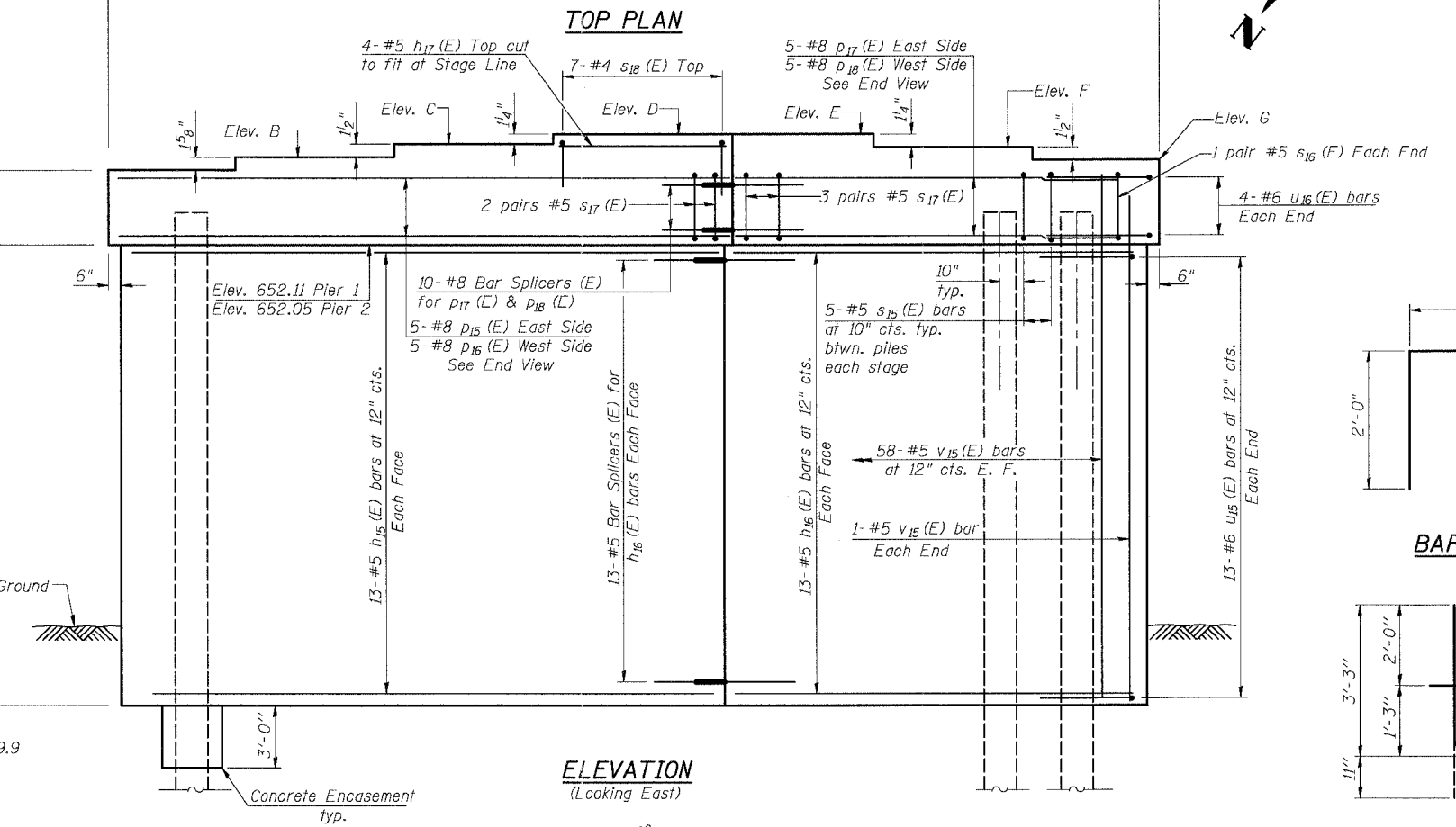
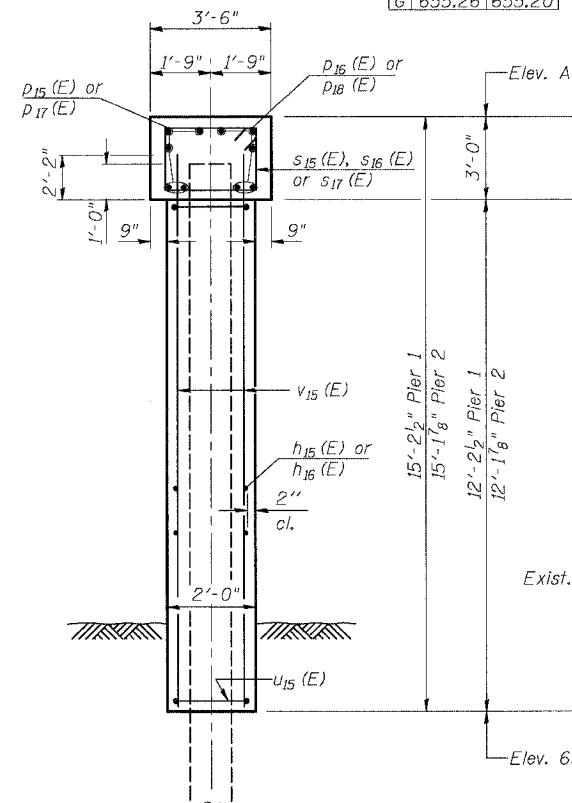
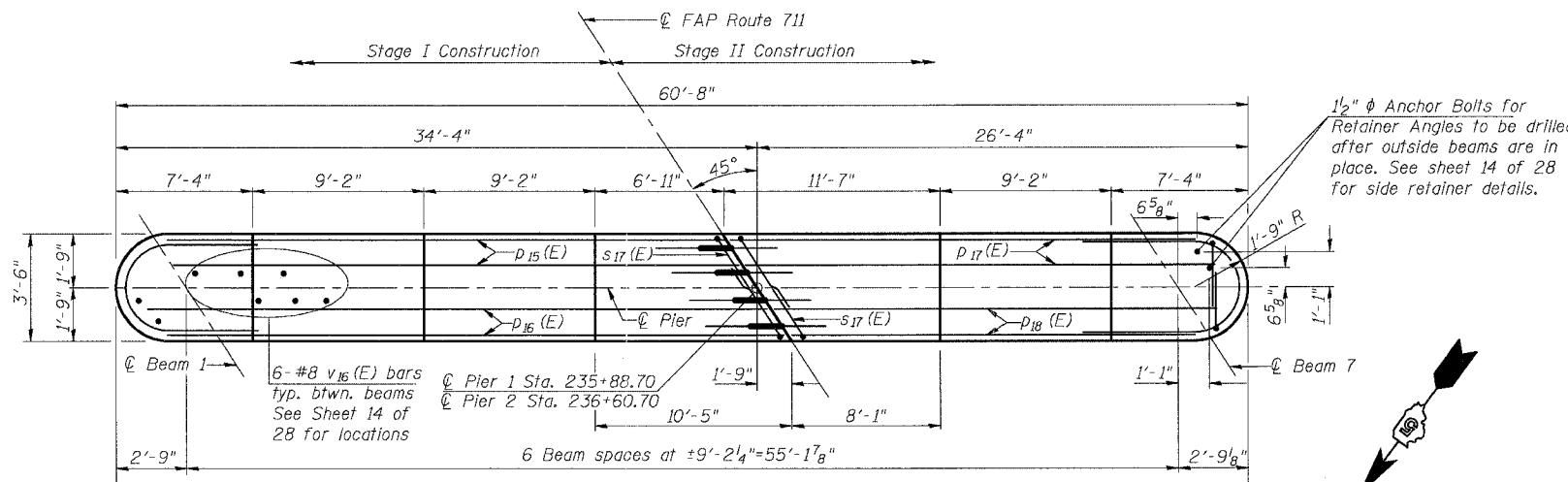
**PILE DATA**

Type: 12" Metal Pile Shell w/1/4" walls  
 Capacity: 55 Ton  
 Est. Length: 65'  
 No. Req'd: 11 + 1 test pile-Pier 1  
 12-Pier 2

**ELEV. TABLE**

	PIER 1	PIER 2
A	655.11	655.05
B	655.25	655.19
C	655.38	655.32
D	655.48	655.42
E	655.48	655.42
F	655.38	655.32
G	655.26	655.20

FAP ROUTE	SECTION	COUNTY	TOTAL SHEETS	SHEET NO.	SHEET NO. 22
711	115(BY)BR	VERMILION	93	41	28 SHEETS
FED. ROAD DIST. NO. ILLINOIS FED. AID PROJECT- CONTRACT NO. 90843					



**TWO PIERS BILL OF MATERIAL**

Bar	No.	Size	Length	Shape
h15(E)	52	#5	33'-7"	—
h16(E)	52	#5	25'-7"	—
h17(E)	8	#5	10'-1"	—
p15(E)	10	#8	30'-8"	—
p16(E)	10	#8	34'-1"	—
p17(E)	10	#8	26'-1"	—
p18(E)	10	#8	22'-7"	—
s15(E)	100	#5	12'-7"	□
s16(E)	8	#5	8'-0"	□
s17(E)	20	#5	9'-4"	□
s18(E)	14	#4	7'-2"	□
u15(E)	52	#6	9'-8"	U
u16(E)	16	#6	13'-5"	U
v15(E)	236	#5	14'-4"	J
v16(E)	72	#8	4'-2"	J
Concrete Structures	Cu. Yd.		157.3	
Reinforcement Bars, Epoxy Coated	Pound		13370	
Underwater Str. Excav. Prot. Location 1 & 2	Each		2	
Furnishing Metal Pile Shells 12"	Foot		1495	
Driving & Filling Shells	Foot		1495	
Test Piles Metal Shell	Each		1	
Bar Splicers	Each		72	

Reinforcement Bars designated (E) shall be epoxy coated.

ILLINOIS DEPARTMENT OF TRANSPORTATION			
SHEET TITLE			
PIERS			
PROJECT	US RTE 136 OVER BLUEGRASS CREEK FAP ROUTE 711 SECTION 115(BY)BR	PROJECT NO.	01054
SCALE	DATE	DRAWN BY	DATE
	05/18/04	TFG	
CHECKED BY	KPS/CME/MCB	DRAWING NO.	
COOMBE-BLOXDORF P.C. Engineers / Land Surveyors Springfield, Illinois			22
Design Firm License No. 184-002703			OF 28 SHTS